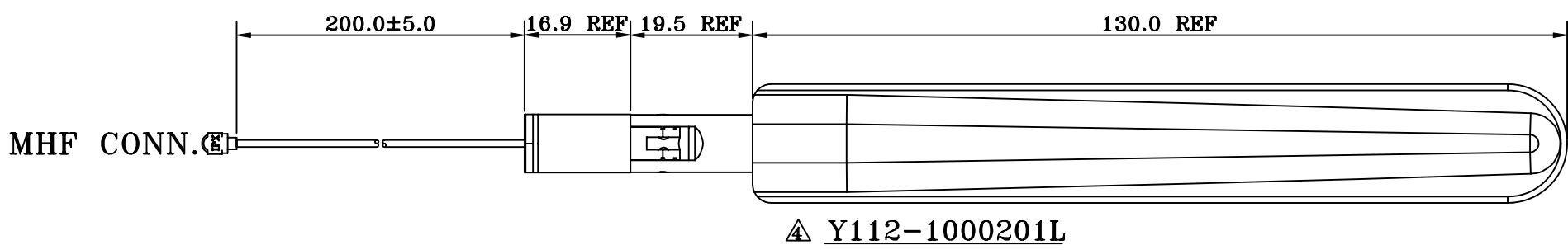
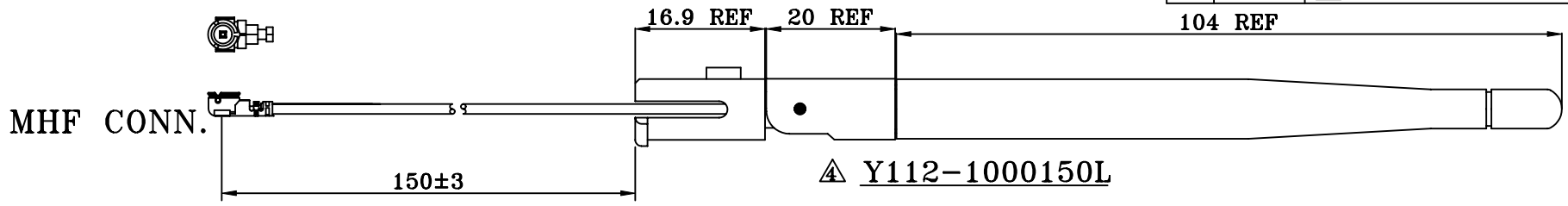


Y112 SERIES 2.4GHz High Gain Antenna

REV	DATE	DESCRIPTION	NAME
02	06.05.19	△ CHANGE	WEN
03	06.07.05	△ CHANGE	WEN
04	07.09.10	△ ADD ANTENNA TYPE	WEN
05	08.07.08	△ ADD LOW COST SOLUTION	WEN
06	09.02.02	△ Change Conn. Type	WEN



- △ Y112-X X X X XX X X △ L : Low Cost Solution
- CONN TYPE
 - 0. I-PEX MHF Plug , Gold Plated
 - △ 1. Technova MHF Plug , Gold Plated
 - CABLE TYPE
 - 0. MINI-178 OD:1.13mm , Black Jacket
 - 1. MINI-178 OD:1.13mm , Gray Jacket
 - PLASTIC COLOR
 - 0. Black
 - FERRITE CORE
 - 0. Without Core
 - 1. With Core
 - CABLE LENTH
 - 10=100.0mm
 - 15=150.0mm
 - 18=180.0mm
 - 20=200.0mm
 - COVER LENTH
 - 0. L:104.0mm
 - 1. L:130.0mm

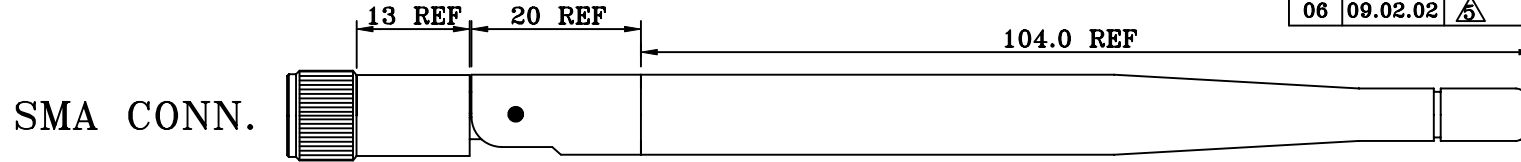
WIESON TECHNOLOGIES CO., LTD WIESON	PART NO.: Y112-XXXXXXXX		
	TITLE: High Gain Antenna Order Information		
DRAWN BY	WEN (WST)	DRAWING NO.	Y112-XXXXXXXX
CHECKED BY	LEO	DRAWING SIZE	A3
APPROVED BY	WAYNE	UNIT	mm
SORTING NO.	WSC	PAGE	1 OF 2

REFERENCE

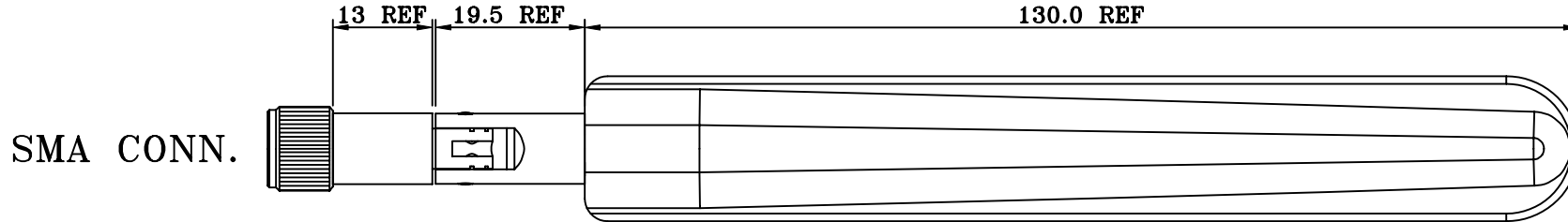
Y112 SERIES 2.4GHz High Gain Antenna

REV	DATE	DESCRIPTION	NAME
02	06.05.19	△ CHANGE	WEN
03	06.07.05	△ CHANGE	WEN
04	07.09.10	△ ADD ANTENNA TYPE	WEN
05	08.07.08	△ ADD LOW COST SOLUTION	WEN
06	09.02.02	△ Change Conn. Type	WEN

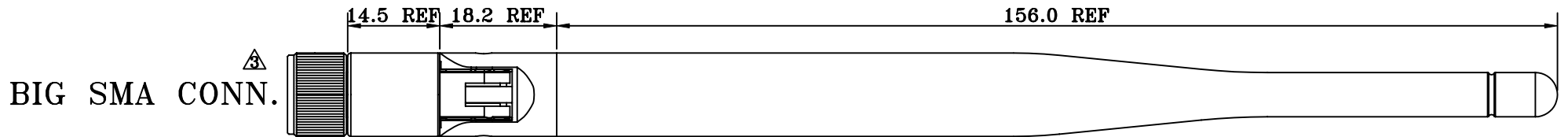
A



B



C



D

△ Y112-XX XX X X X △
L : Low Cost Solution

E

CONN TYPE

- △ 11. SMA Male Reverse Polarity , Black Coating
- 12. SMA Male , Black Coating
- △ 13. Big Type SMA Male , Black

PLASTIC COLOR

0. Black

CABLE TYPE

- 10. RG-178 Black
- 20. RG-178 Brown
- △ 30. RG-316 Orange

COVER LENTH

- 0. L:104.0mm
- 1. L:130.0mm
- △ 2. L:156.0mm

WIESON TECHNOLOGIES CO., LTD		PART NO.:	
WIESON		Y112-XXXXXXXX	
TITLE: High Gain Antenna Order Information			
DRAWN BY	WEN (WST)	DRAWING NO.	Y112-XXXXXXX
CHECKED BY	LEO	DRAWING SIZE	A3
APPROVED BY	WAYNE	UNIT	mm
SORTING NO.	WSC	PAGE	1 OF 2

REFERENCE