

HF Compliant

2580 SERIES 2.00mm PITCH HIGH SPEED PIN HEADER

REV	DATE	DESCRIPTION	ECN NO.	NAME
A	21.07.24	PROPOSAL		WCQUAN

NOTE: SMT TYPE

1.MATERIAL:

- (1)HOUSING: LCP, UL94V-0, COLOR: BLACK.
- (2)CAP: HTN, UL94V-0, COLOR: BLACK.
- (3)TERMINAL: BRASS

2.TERMINAL PLATING:

- FULL Au: FULL Au OVER 30u" min. Ni UNDER PLATED OVERALL
- SELECTIVE Au: SELECTIVE Au IN CONTACT AREA, 80u" min. Sn IN SOLDER TAIL AREA, BOTH OVER 30u" min. Ni UNDERPLATE OVERALL

3.SPECIFICATION:

- 3-1. Voltage Rating: 125V AC/DC
- 3-2. Current Rating: 2.0A Max
- 3-3. Withstand Voltage: 500V AC/minute
- 3-4. Insulation Resistance: 1000MΩ Min.
- 3-5. Contact Resistance: 20mΩ Max
- 3-6. Temperature Range: -40°C~+105°C
- 3-7. Max Processing Temp: 230°C For 60 Seconds. 260°C For 10 Seconds.
- 3-8. The Connector is RoHS compliant and Halogen-Free

4.ORDER INFORMATION : AC2580-03 XX XX XX -HH

① PIN NUMBER:

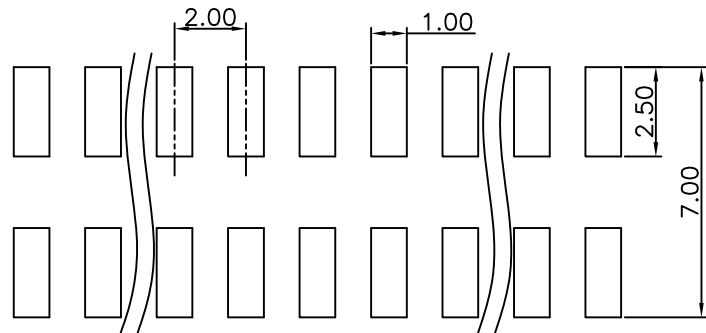
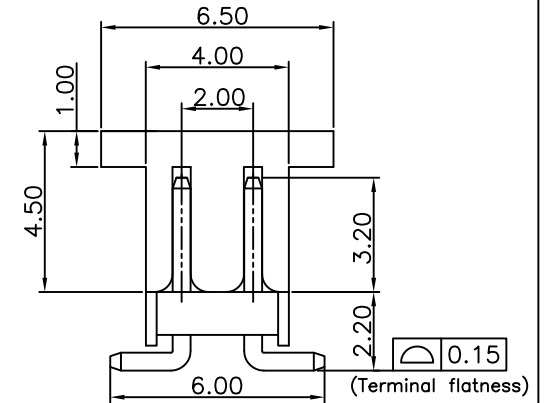
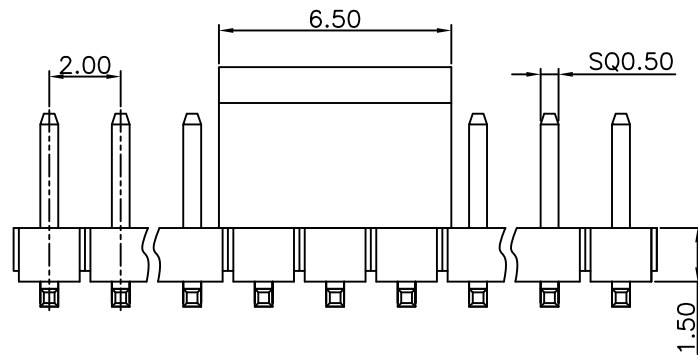
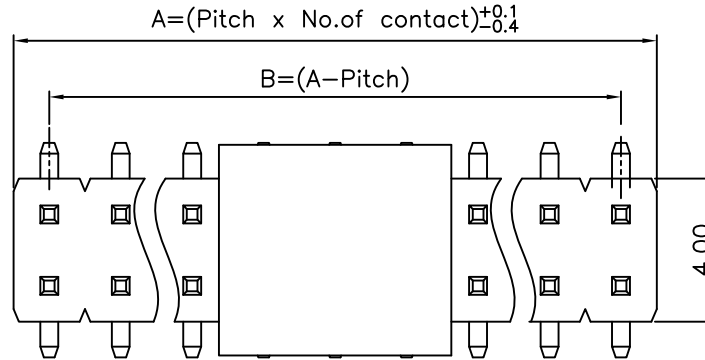
- 02: 2*02P
- 03: 2*03P
- S
- 40: 2*40P

② PACKING:

- 00: BOX
- 01: REEL+CAP

③ TERMINAL PLATING:

- 01: GOLD FLASH 11: GOLD FLASH
- 02: 3u" Au 12: 3u" Au
- 03: 5u" Au 13: 5u" Au
- 04: 10u" Au 14: 10u" Au
- 05: 15u" Au 15: 15u" Au
- 06: 30u" Au 16: 30u" Au
- FULL Au SELECTIVE Au



RECOMMENDED PCB LAYOUT
TOLERANCE: ±0.05mm

GENERAL TOLERANCE		WIESON TECHNOLOGIES CO., LTD		CUST NO.:	
X.X	=±0.30	DRAWN BY	WCQUAN(WSC)	PART NO.: AC2580-03XXXXXX-HH	
X.XX	=±0.20	CHECKED BY	YXJ	STANDARD NO.	AC2580-03XXXXXX-HH
X.X*	=±3'	APPROVED BY	JIM	DRAWING SIZE	1:1 A4
		SORTING NO.	CA0205(WSC)	UNIT	mm
				PAGE	1 OF 1

HF Compliant

**4220 SERIES 2.00mm PITCH HIGH SPEED FEMALE
HEADER SMT TYPE**

REV	DATE	DESCRIPTION	ECN NO.	NAME
A	21.07.24	PROPOSAL		WCQUAN

NOTE:

1.MATERIAL:

- (1)HOUSING: LCP, UL94V-0, COLOR: BLACK.
- (2)TERMINAL: PHOSPHOR BRONZE

2.TERMINAL PLATING:

- FULL Au: FULL Au OVER 30u" min. Ni UNDER PLATED OVERALL
- SELECTIVE Au: SELECTIVE Au IN CONTACT AREA, 80u" min. Sn IN SOLDER TAIL AREA, BOTH OVER 30u" min. Ni UNDERPLATE OVERALL

3.SPECIFICATION:

- 3-1. Voltage Rating: 125V AC/DC
- 3-2. Current Rating: 2.0A Max
- 3-3. Withstand Voltage: 500V AC/minute
- 3-4. Insulation Resistance: 1000MΩ Min.
- 3-5. Contact Resistance: 20mΩ Max
- 3-6. Temperature Range: -40°C~+105°C
- 3-7. Max Processing Temp: 230°C For 60 Seconds. 260°C For 10 Seconds.

3-8. The Connector is RoHS compliant and Halogen-Free

4.ORDER INFORMATION : AC4220-03 XX XX XX -HH

① PIN NUMBER:

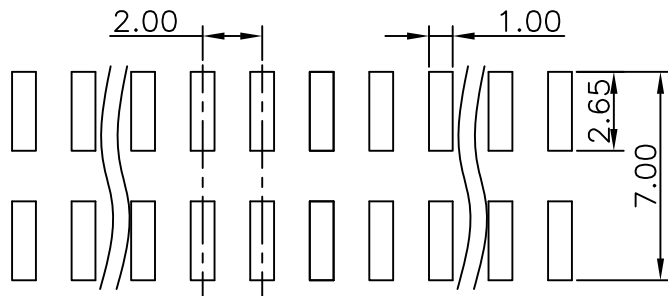
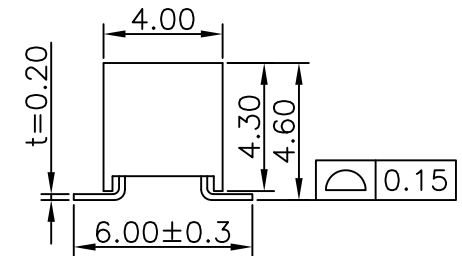
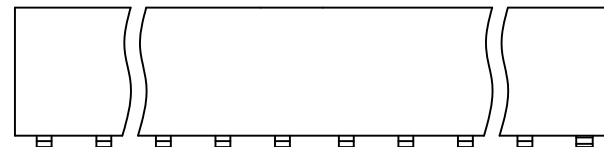
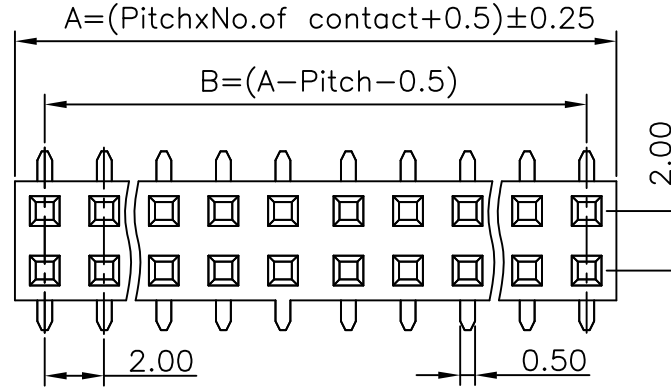
- 02: 2*02P
- 03: 2*03P
- S
- 40: 2*40P

② PACKING:

- 00: TUBE

③ TERMINAL PLATING:

- 01: GOLD FLASH 11: GOLD FLASH
- 02: 3u" Au 12: 3u" Au
- 03: 5u" Au 13: 5u" Au
- 04: 10u" Au 14: 10u" Au
- 05: 15u" Au 15: 15u" Au
- 06: 30u" Au 16: 30u" Au
- FULL Au SELECTIVE Au



RECOMMENDED PCB LAYOUT
TOLERANCE: ±0.05mm

GENERAL TOLERANCE		WIESON TECHNOLOGIES CO., LTD		CUST NO.:	
X.X	= ±0.30	DRAWN BY	WCQUAN(WSC)	PART NO.: AC4220-03XXXXXX-HH	
X.XX	= ±0.20	CHECKED BY	YXJ	STANDARD NO.	AC4220-03XXXXXX-HH
X.X*	= ±3°	APPROVED BY	JIM	DRAWING SIZE	1:1 A4
		SORTING NO.	CA0205(WSC)	UNIT	mm
				PAGE	1 OF 1