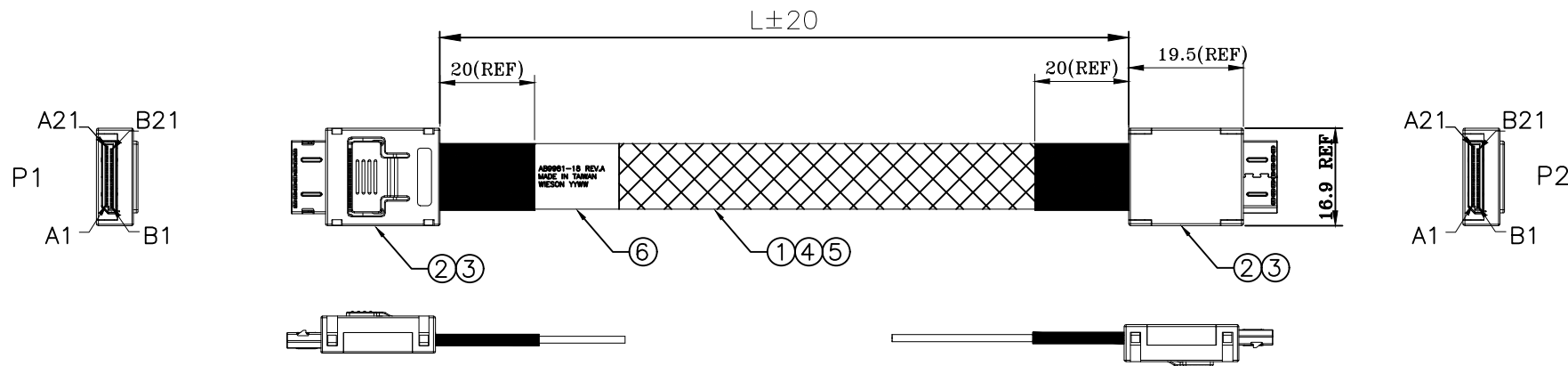
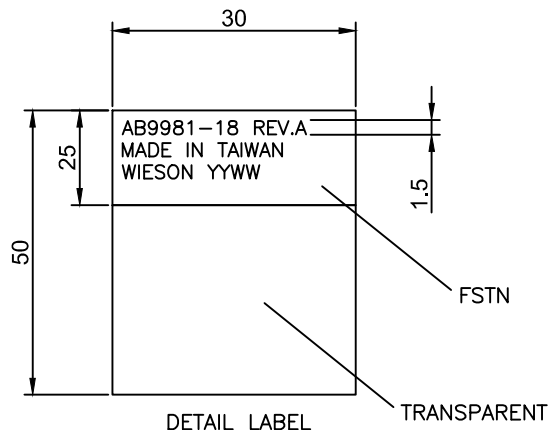


RoHS Compliant

版本	日期	說明	ECN NO.	NAME
A	19.11.21	PROPOSAL		Hiro



LABEL
AB9981-18 REV.A
MADE IN TAIWAN
WIESON YYWW



- NOTES:
- IMPEDANCE REQUIREMENT:
CABLE IMPEDANCE:85±10% ohms
CONNECTORS : SFF-8611 85 ohms/ Paddle Card 85 ohms
 - OPERATING TEMPERATURE:0~80°C
 - FLAMMABILITY:CONNECTOR MEET UL94V
 - THE CABLE ASSEMBLY SHOULD ROHS2 (2011/65/EU) COMPLIANT.
 - ELECTRICAL AND MECHANICAL PERFORMANCE SHALL MEET SAS 4.0 INDUSTRIAL STANTARDS
 - THE TEST FREQUENCY POINT NEEDS TO BE UP TO 6G.
 - CABLE LENGTH<=1M

⑥	LABEL	LABEL	1	WIESON TECHNOLOGIES CO., LTD WIESON	CUST NO.:	
⑤	WOVEN TUBE	WOVEN TUBE OD:10	AR		PART NO.: AB9981-18	
④	ACETATE TAPE	ACETATE TAPE W:20mm	AR	TITLE: OCULINK 4I STR TO 4I STR CABLE		
③	PCB	OCULINK 4I STR PCB	2	DRAWN BY	Hiro	DRAWING NO.
②	CONNECTOR	OCULINK 4I STR CONN	2	CHECKED BY	VINCENT	DRAWING SIZE
①	CABLE	SAS (32AWGx2C+Shield)	AR	APPROVED BY	VINCENT	UNIT
NO.	ITEM	DESCRIPTION	QTY	SORTING NO.	WSC	PAGE
						1 OF 2

RoHS Compliant

版本	日期	説明	ECN NO.	NAME
A	19.11.21	PROPOSAL		Hiro

A

B

C

D

E

WIRING TABLE

P1		P2		P1		P2	
RESERVE	A21	B21	RESERVE	RESERVE	B21	A21	RESERVE
GROUND	A20	B20	GROUND	GROUND	B20	A20	GROUND
PERn3	A19	B19	PETn3	PETn3	B19	A19	PERn3
PERp3	A18	B18	PETp3	PETp3	B18	A18	PERp3
GROUND	A17	B17	GROUND	GROUND	B17	A17	GROUND
PERn2	A16	B16	PETn2	PETn2	B16	A16	PERn2
PERp2	A15	B15	PETp2	PETp2	B15	A15	PERp2
GROUND	A14	B14	GROUND	GROUND	B14	A14	GROUND
VSP	A13	B13	VSP	VSP	B13	A13	VSP
VSP	A12	B12	VSP	VSP	B12	A12	VSP
GROUND	A11	B11	GROUND	GROUND	B11	A11	GROUND
CWAKE#	A10	B10	CWAKE#	CWAKE#	B10	A10	CWAKE#
BP TYPE	A9	B9	BP TYPE	BP TYPE	B9	A9	BP TYPE
GROUND	A8	B8	GROUND	GROUND	B8	A8	GROUND
PERn1	A7	B7	PETn1	PETn1	B7	A7	PERn1
PERp1	A6	B6	PETp1	PETp1	B6	A6	PERp1
GROUND	A5	B5	GROUND	GROUND	B5	A5	GROUND
PERn0	A4	B4	PETn0	PETn0	B4	A4	PERn0
PERp0	A3	B3	PETp0	PETp0	B3	A3	PERp0
GROUND	A2	B2	GROUND	GROUND	B2	A2	GROUND
RESERVE	A1	B1	RESERVE	RESERVE	B1	A1	RESERVE

CUST NO.:



PART NO.:
AB9981-18

TITLE:
OCULINK 4I STR TO 4I STR CABLE

DRAWN BY	Hiro	DRAWING NO.	
CHECKED BY	VINCENT	DRAWING SIZE	1 : 1 A4
APPROVED BY	VINCENT	UNIT	mm
SORTING NO.	WSC	PAGE	2 OF 2