

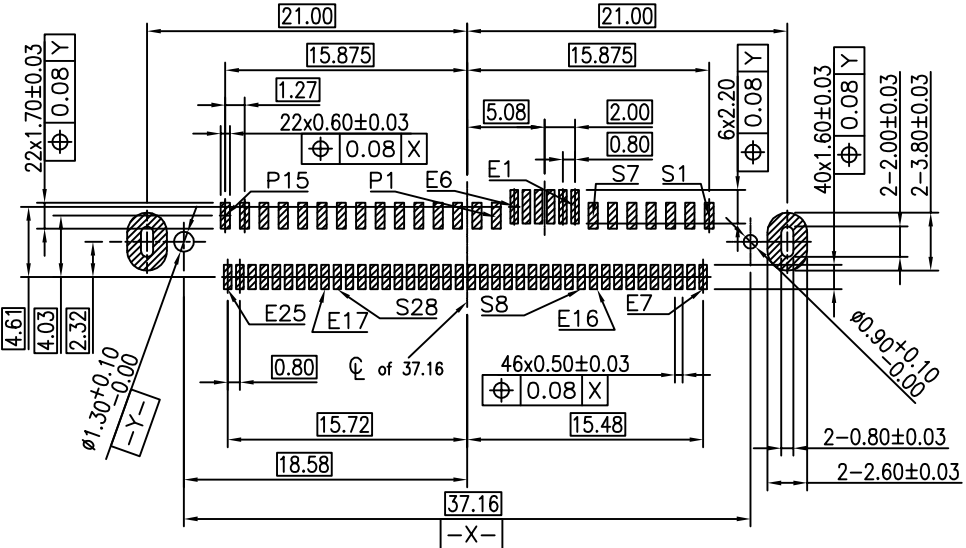
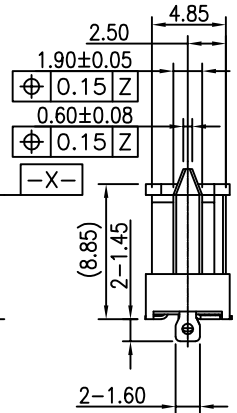
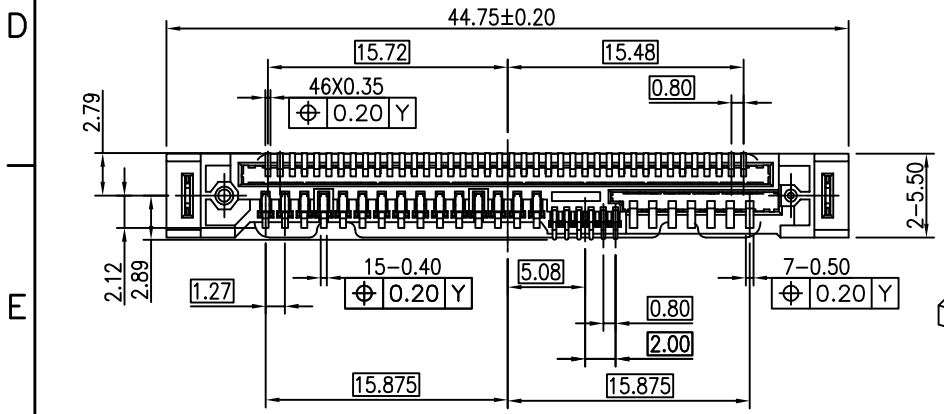
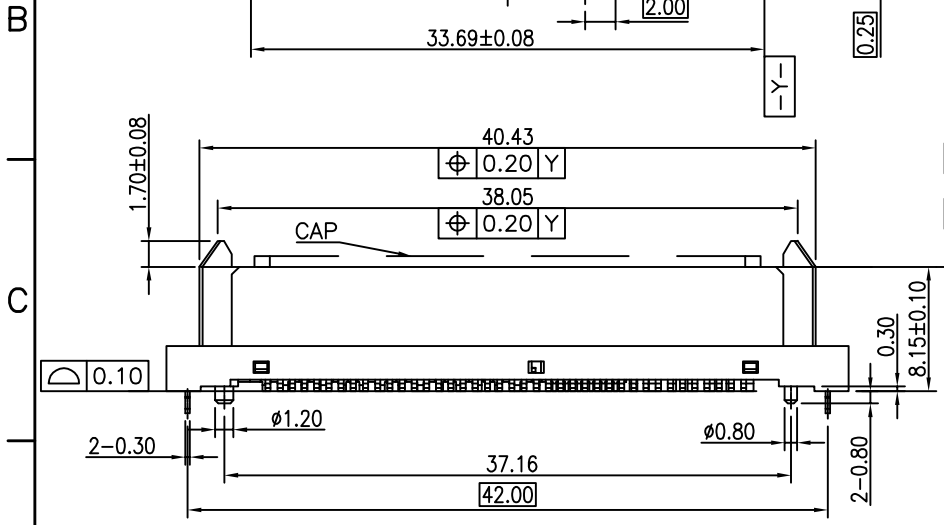
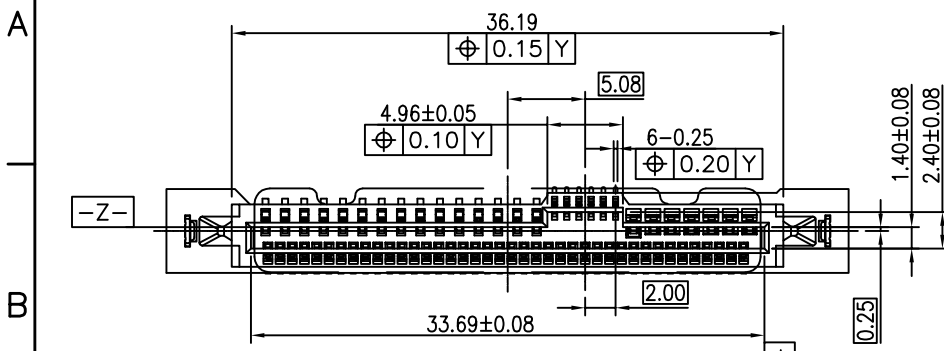
ROHS Compliant

AC1214-04 SERIES SFF-8639 PCIe 5.0 VERTICAL RECEPTACLE CONNECTOR

REV	DATE	DESCRIPTION	ECN NO.	NAME
A	22.03.21	PROPOSAL		Tames
A1	22.03.25	ADD OPTIONS		Tames

- NOTE
- MATERIAL
 HOUSING : HIGE THERMOPLASTIC, UL94V-0, BLACK.
 TERMINAL : COPPER ALLOY.
 BOARD LOCK : COPPER ALLOY.
 GROUND : STAINLESS STEEL.
 - PLATING
 TERMINAL : SELECTIVE Au ON CONTACT AREA, (SEE ORDER INFORMATION)
 100u" MIN. Sn PLATED ON SOLDER TAIL AREA,
 BOTH OVER 50u" MIN. Ni UNDERPLATED OVERALL.
 BOARD LOCK : 100u" MIN. Sn PLATED ON SOLDER TAIL AREA,
 BOTH OVER 50u" MIN. Ni UNDERPLATED OVERALL.
 GROUND : CLEAN.
 - PACKING : TAPE & REEL.
 - ORDER INFORMATION : AC1214-0401 XX XX -00

- ① 00 : W/O CAP
- 01 : W/ CAP
- ② 01 3u" Au
- 02 5u" Au
- 03 15u" Au
- 04 30u" Au



RECOMMENDED PCB LAYOUT (TOP VIEW)
TOLERANCE: ±0.05mm

CUST NO.:

GENERAL TOLERANCE X.X = ±0.20 X.XX = ±0.15 X.X* = ±3*	WIESON TECHNOLOGIES CO., LTD		PART NO.: AC1214-0401XXXX-00	
	DRAWN BY	Tames	STANDARD NO. AC1214-0401XXXX-00	
	CHECKED BY	Hsien	DRAWING SIZE 2 : 1 A4	
	APPROVED BY	Hsien	UNIT mm	
⊕	SORTING NO.	WSC	PAGE 1 OF 1	

