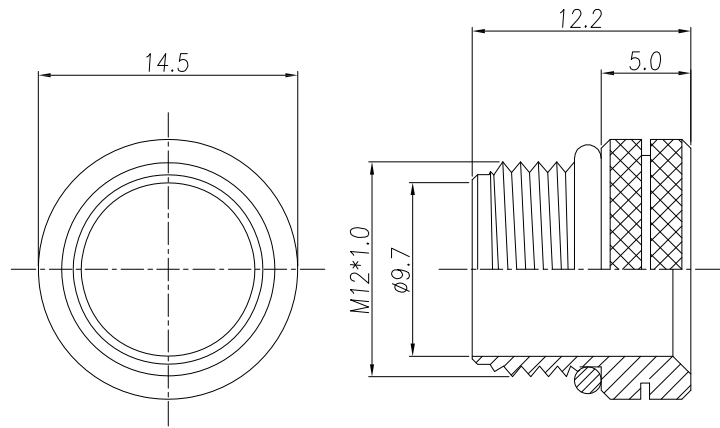
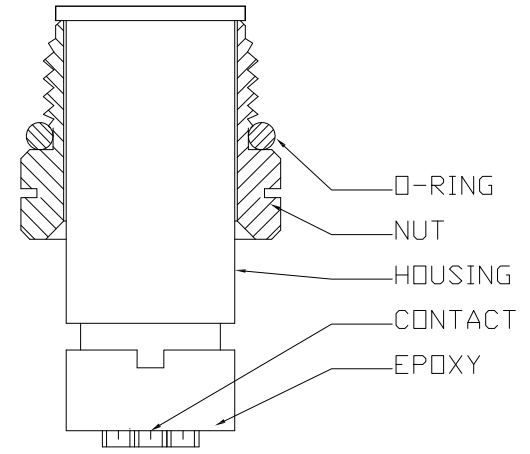
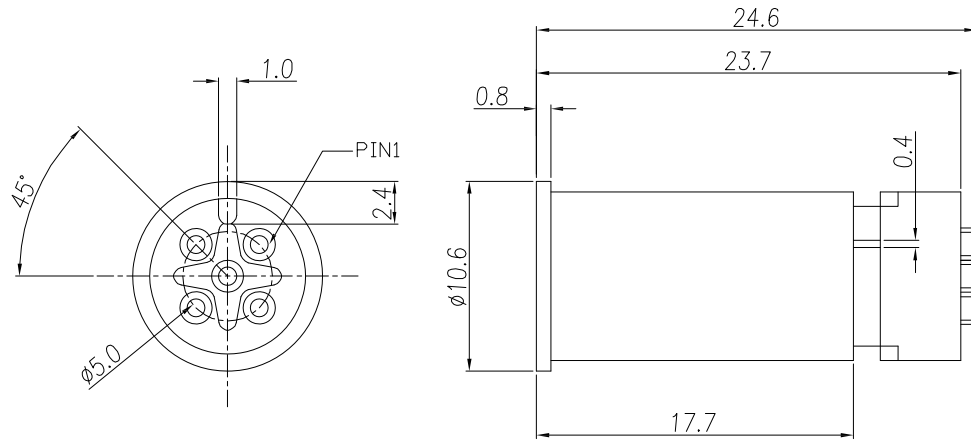


RoHS Compliant

M12 5PIN(M)

REV	DATE	DESCRIPTION	ECN NO.	NAME
A	20.07.14	PROPOSAL		LWEI



NUT

- MATERIAL :**
 - 1-1. HOUSING : PBT UL94V-0 ; COLOR : BLACK
 - 1-2. CONTACT : BRASS
 - 1-3. NUT : BRASS
 - 1-4. O-RING: SEE ORDERINFORMATION ; COLOR: BLACK
- FINISH :**
 - 2-1. CONTACT : Au PLATED ON CONTACT AREA (SEE ORDERINFORMATION)
UNDER PLATE : NICKEL
 - 2-2. NUT : NICKEL PLATED
- ELECTRICAL SPECIFICATION :**
 - 3-1. Rated current : 4A
 - 3-2. Rated Voltage : 60V
 - 3-3. Water proof: IPX7
- Environmental :**
 - 4-1. Operation Temperature : -40°C~85°C
- ORDER INFORMATION: AC3401-0604XX XX -00**

- O-RING OPTION PLATING OPTION
- ① 01: NBR ② 01: G/F
- 02: EPDM 02: 10u"

CUST NO.:

GENERAL TOLERANCE X.X = ±0.20 X.XX = ±0.15 X.X* = ±3°	WIESON TECHNOLOGIES CO., LTD WIESON		PART NO.: AC3401-0604XXXX-00	
	DRAWN BY	LWEI	STANDARD NO.	
	CHECKED BY	YXJ	DRAWING SIZE	1 : 1 A4
	APPROVED BY	JIM	UNIT	mm
	SORTING NO.	NY (WSC)	PAGE	1 OF 1