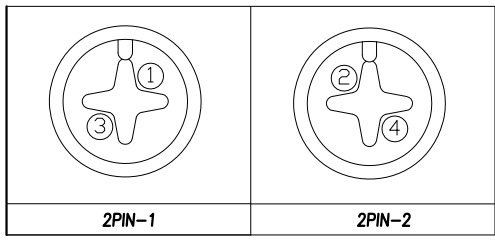
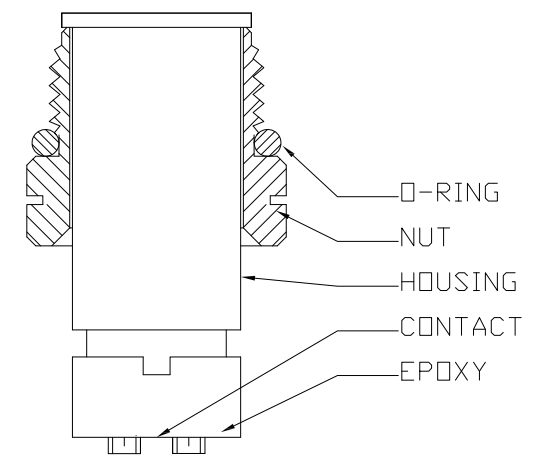
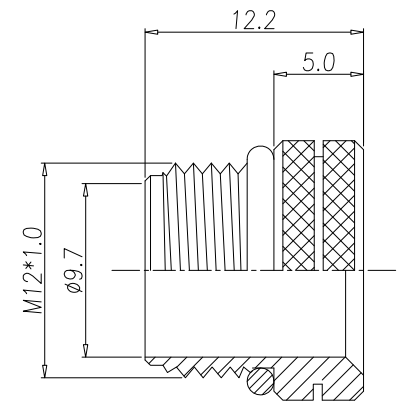
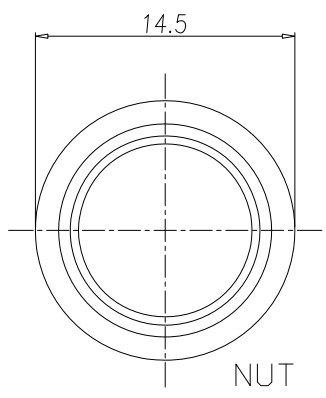
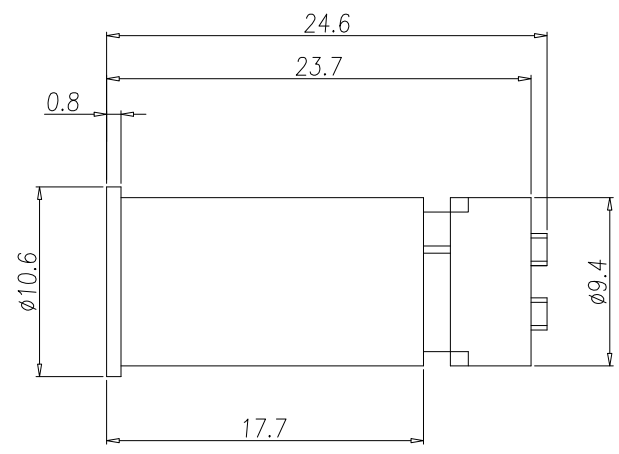
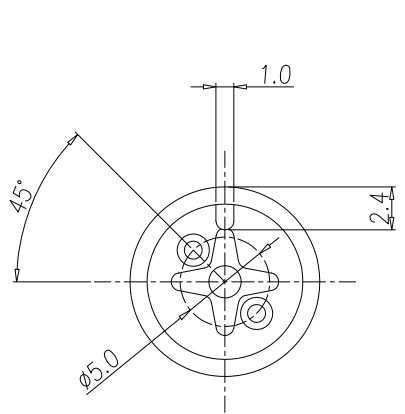


RoHS Compliant

WP M12-2(M)

REV	DATE	DESCRIPTION	ECN NO.	NAME
A	20.08.21	PROPOSAL		LWEI

- MATERIAL :**
 - 1-1. HOUSING : PBT UL94V-0 ; COLOR : BLACK
 - 1-2. CONTACT : BRASS
 - 1-3. NUT : BRASS
 - 1-4. O-RING: EPDM ; COLOR : BLACK
- FINISH :**
 - 2-1. CONTACT : 10U" Au MIN PLATED ON CONTACT AREA
UNDER PLATE : NICKEL
 - 2-2. NUT : NICKEL PLATED 60U"~100U" OVER ALL
- ELECTRICAL SPECIFICATION :**
 - 3-1. Rated current : 4A
 - 3-2. Rated Voltage : 250V
 - 3-3. Water proof: IPX7
- Environmental :**
 - 4-1. Operation Temperature : -40°C~85°C
- ORDER INFORMATION: AC3401-0607 XX 00 -00**
 - PIN OPTION ①
 - ① 01: 2PIN-1
 - ② 02: 2PIN-2



GENERAL TOLERANCE X.X = ±0.20 X.XX = ±0.15 X.X* = ±3*	WIESON TECHNOLOGIES CO., LTD	CUST NO.:			
		PART NO.: AC3401-0607XX00-00			
		DRAWN BY	LWEI	STANDARD NO.	
		CHECKED BY	YXJ	DRAWING SIZE	1 : 1 A4
	APPROVED BY	JIM	UNIT	mm	
	SORTING NO.	NY (WSC)	PAGE	1 OF 1	