

**RoHS Compliant**

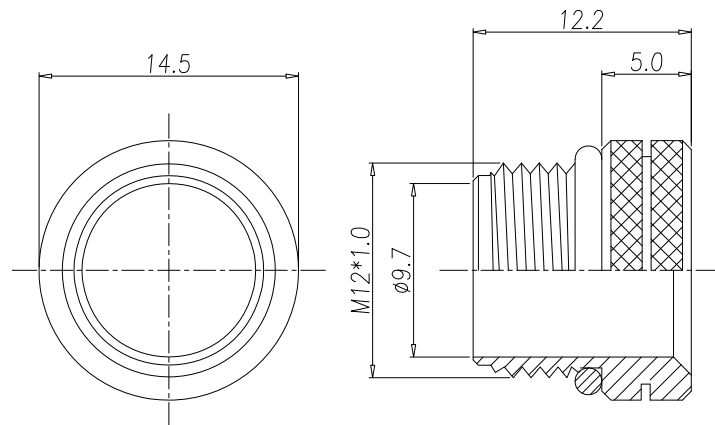
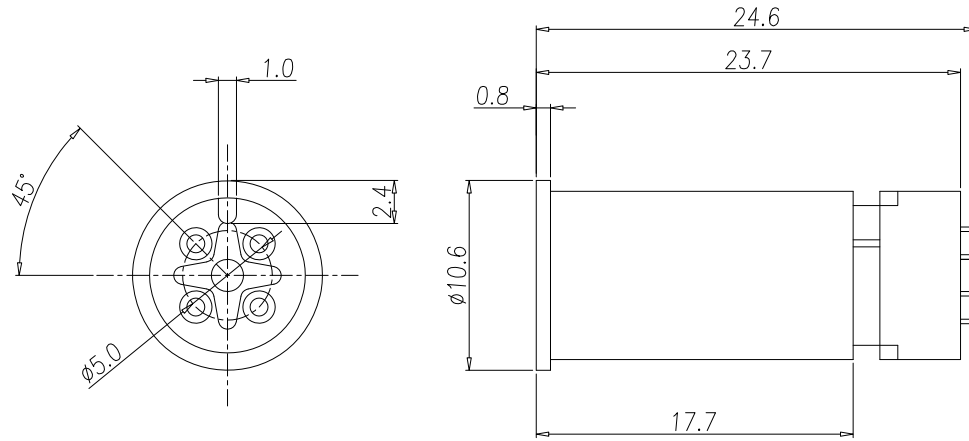
WP M12-4(M)

REV	DATE	DESCRIPTION	ECN NO.	NAME
A	20.08.21	PROPOSAL		LWEI

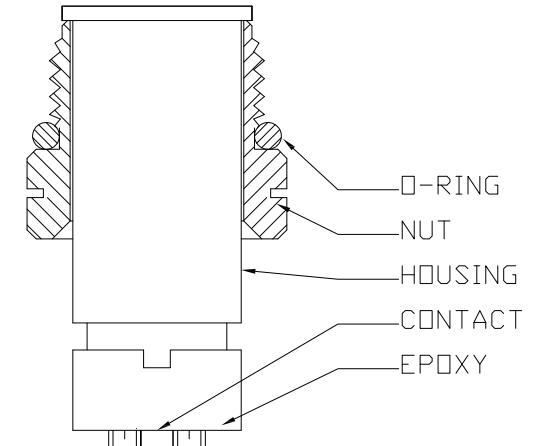
- MATERIAL :**
  - 1-1. HOUSING : PBT UL94V-0 ; COLOR : BLACK
  - 1-2. CONTACT : BRASS
  - 1-3. NUT : BRASS
  - 1-4. O-RING: SEE ORDER INFORMATION
- FINISH :**
  - 2-1. CONTACT : Au PLATED ON CONTACT AREA(SEE ORDER INFORMATION)
  - 2-2. NUT : NICKEL PLATED 60U"~100U" OVER ALL
- ELECTRICAL SPECIFICATION :**
  - 3-1. Rated current : 4A
  - 3-2. Rated Voltage : 250V
  - 3-3. Water proof: IPX7
- Environmental :**
  - 4-1. Operation Temperature : -40℃~85℃
- ORDER INFORMATION:AC3401-0608 XX XX -00**

- O-RING OPTION
- ① 01: EPDM ; COLOR : BLACK
  - ② 02: SILICONE ; COLOR : GREEN

- PLATING OPTION
- ② 01: G/F
  - ② 02: 10u"



NUT



CUST NO.:

PART NO.: AC3401-0608XXXX-00

GENERAL TOLERANCE		WIESON TECHNOLOGIES CO., LTD		STANDARD NO.	
X.X	=±0.20	DRAWN BY	LWEI	DRAWING SIZE 1 : 1 A4	
X.XX	=±0.15	CHECKED BY	YXJ	UNIT mm	
X.X*	=±3'	APPROVED BY	JIM	PAGE 1 OF 1	
		SORTING NO.	NY (WSC)		