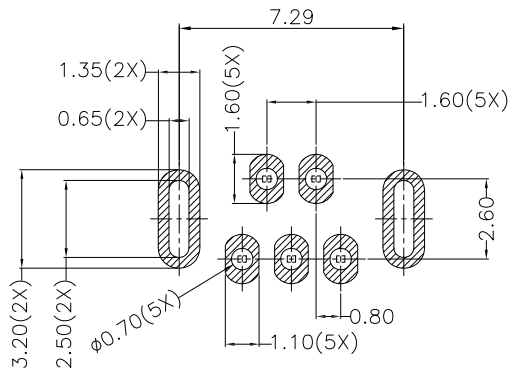
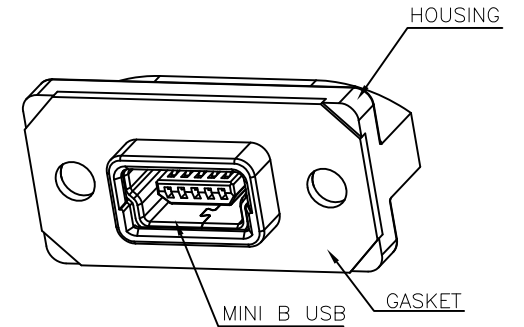
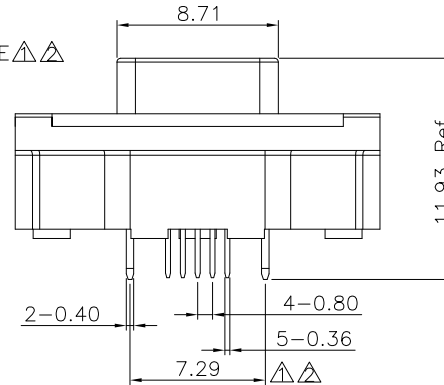
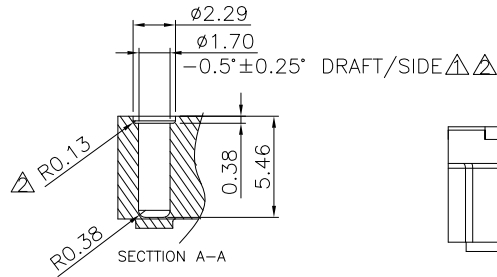
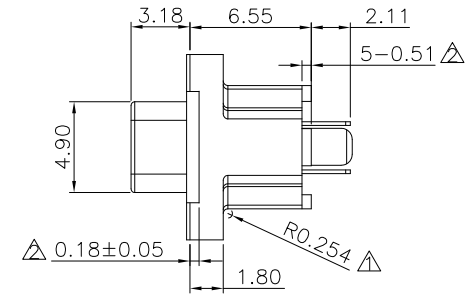
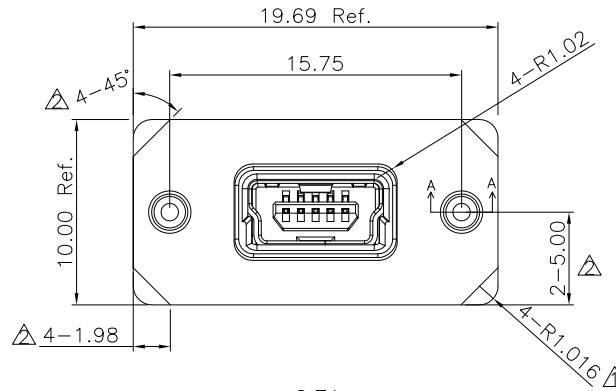


ROHS Compliant

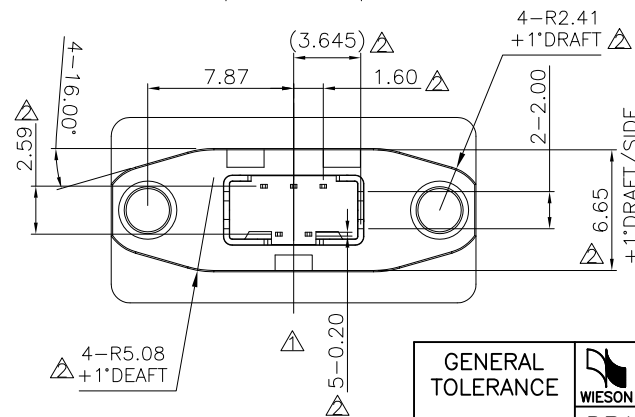
3402 SERIES WATERPROOF MINI B USB DIP TYPE

REV	DATE	DESCRIPTION	ECN NO.	NAME
A	20.12.09	PROPOSAL		LWEI
A1	20.12.24	△ UPDATE		LWEI
A2	21.01.14	△ UPDATE		LWEI

- NOTE:
- MATERIAL:
 TERMINAL : COPPER ALLOY.
 SHELL : SUS 304.
 HOUSING : LCP, UL94V-0,
 HOUSING COLOR : BLACK.
 - PLATING :
 TERMINAL : 30u" AU PLATED ON CONTACT AREA,
 Sn PLATED ON SOLDER TAIL AREA.
 BOTH OVER Ni UNDERPLATED OVERALL.
 SHELL : G/F PLATED OVERALL.
 - WATERPROOF GRADE: IP67



RECOMMENDED PCB LAYOUT (TOP VIEW)
TOLERANCE: ±0.05mm



GENERAL TOLERANCE		WIESON TECHNOLOGIES CO., LTD		CUST NO.:	
X.X	=±0.20	DRAWN BY	LWEI	PART NO.:	
X.XX	=±0.13	CHECKED BY	YXJ	AC3402-0300-004-00	
X.X*	=±3'	APPROVED BY	JIM	STANDARD NO.	
		SORTING NO.	3017 (WSC)	DRAWING SIZE	1 : 1 A4
				UNIT	mm
				PAGE	1 OF 1