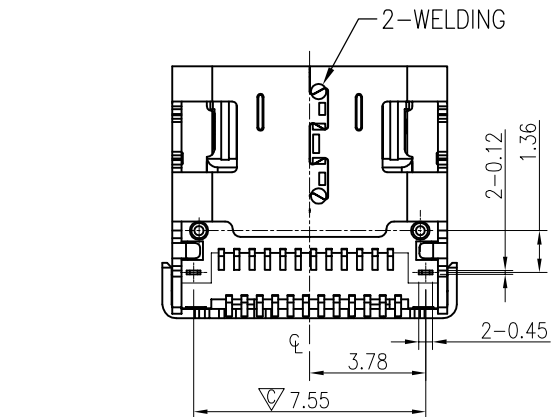
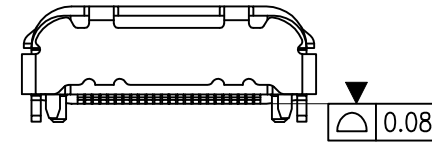
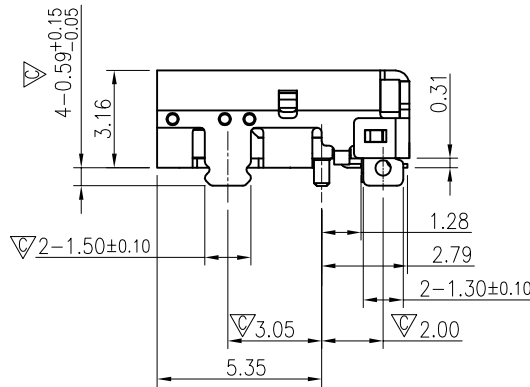
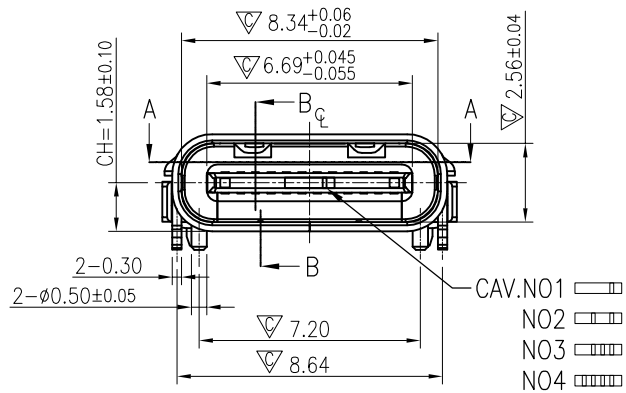
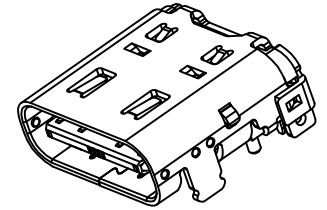
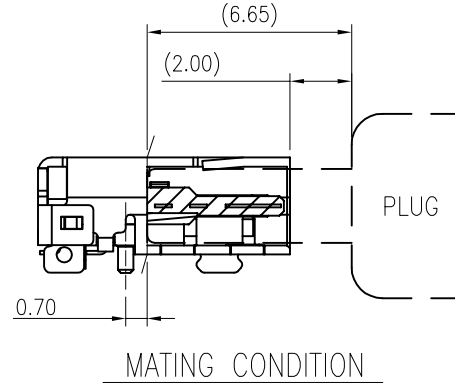
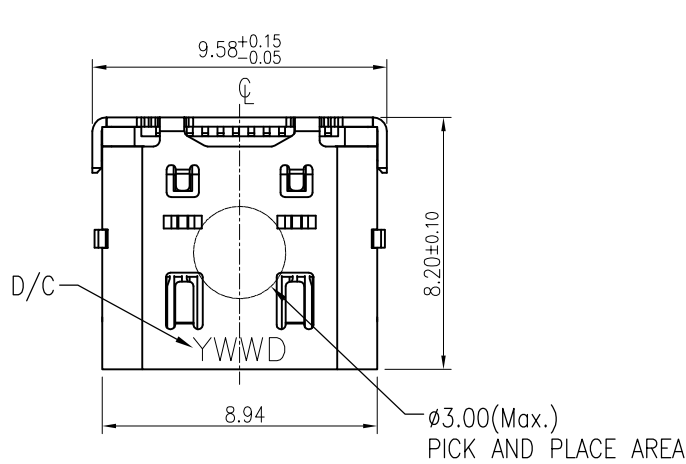


RoHS Compliant

REV	DATE	DESCRIPTION	ECN NO.	NAME
A	21.09.16	NEW RELEASE		Tames

AC3518-02 SERIES USB TYPE C RIGHT ANGLE SMT TYPE CONNECTOR



PIN ASSIGNMENT											
A1	A2	A3	A4	A5	A6	A7	A8	A9	A10	A11	A12
GND	TX1+	TX1-	VBUS	CC1	D+	D-	SBU1	VBUS	RX2-	RX2+	GND
GND	RX1+	RX1-	VBUS	SBU2	D-	D+	CC2	VBUS	TX2-	TX2+	GND
B12	B11	B10	B9	B8	B7	B6	B5	B4	B3	B2	B1

CUST NO.:

GENERAL TOLERANCE	WIESON TECHNOLOGIES CO., LTD WIESON	
X.X = ±0.20	DRAWN BY	Tames
X.XX = ±0.15	CHECKED BY	Hsien
X.X* = ±3°	APPROVED BY	Hsien
	SORTING NO.	(3298)

PART NO.:
AC3518-02000004-00

STANDARD NO.	AC3518-02000004-00
DRAWING SIZE	4 : 1 A4
UNIT	mm
PAGE	1 OF 4

RoHS Compliant

REV	DATE	DESCRIPTION	ECN NO.	NAME
A	21.09.16	NEW RELEASE		Tames

AC3518-02 SERIES USB TYPE C RIGHT ANGLE SMT TYPE CONNECTOR

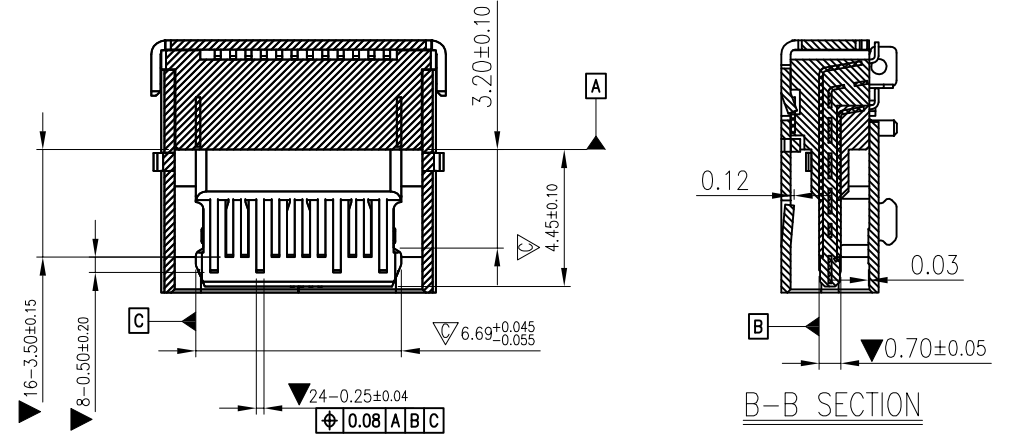
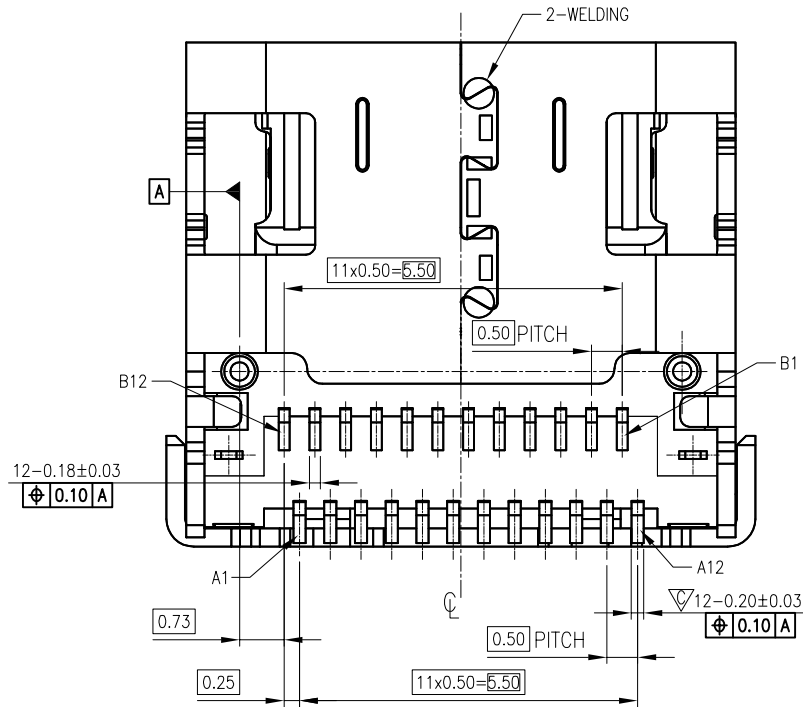
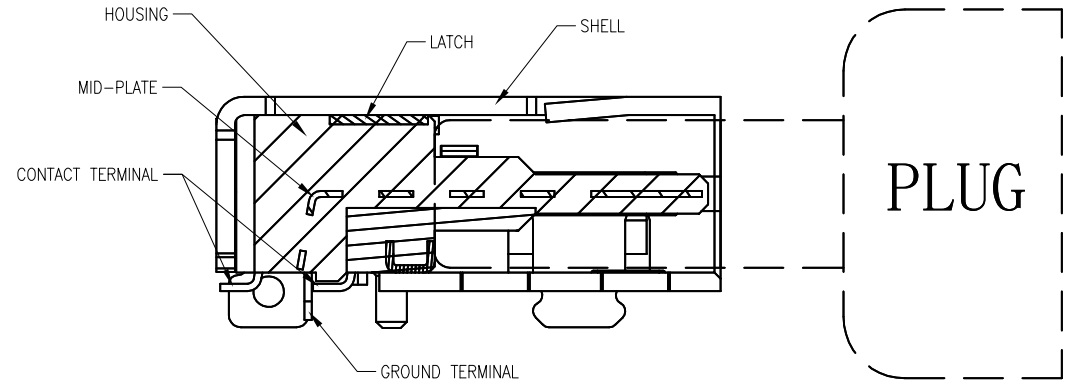
A

B

C

D

E



A-A SECTION

B-B SECTION

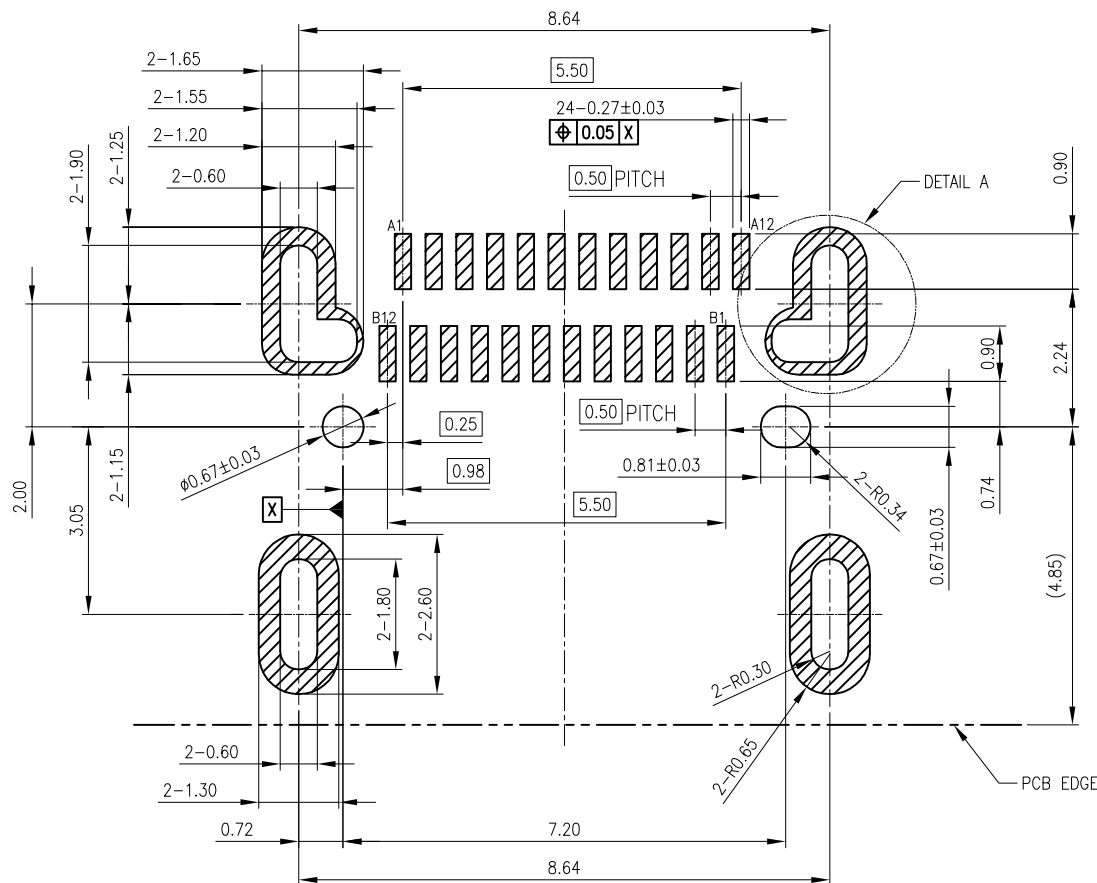
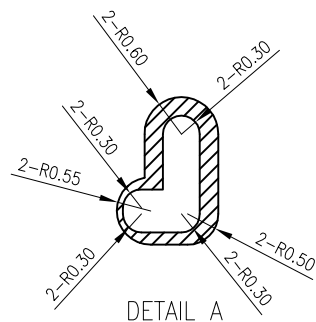
CUST NO.:

GENERAL TOLERANCE X.X = ±0.20 X.XX = ±0.15 X.X* = ±3°	WIESON TECHNOLOGIES CO., LTD WIESON		PART NO.: AC3518-02000004-00	
	DRAWN BY	Tames	STANDARD NO.	AC3518-02000004-00
	CHECKED BY	Hsien	DRAWING SIZE	4 : 1 A4
	APPROVED BY	Hsien	UNIT	mm
SORTING NO.	(3298)	PAGE	2 OF 4	

RoHS Compliant

REV	DATE	DESCRIPTION	ECN NO.	NAME
A	21.09.16	NEW RELEASE		Tames

AC3518-02 SERIES USB TYPE C RIGHT ANGLE SMT TYPE CONNECTOR



RECOMMENDED PCB LAYOUT (TOP VIEW)

TOLERANCE: ±0.05mm
(PCB THICKNESS 0.80±0.05mm)
SCALE 2:1

▨: BOARD PAD

- NOTES:
- MATERIAL:
HOUSING: HIGH TEMPERATURE THERMAL PLASTIC, LCP(S476) UL94-V0, COLOR: BLACK.
CONTACT TERMINAL: HIGH PERFORMANCE COPPER ALLOY (CU01 t=0.12)
GROUND TERMINAL: SUS 304, t=0.12
LATCH: SUS 301, t=0.15
SHELL: SUS 304, t=0.30
MID-PLATE: SUS 304, t=0.10
 - FINISH:
CONTACT TERMINAL:
CONTACT AREA: 30u" Au ON PLATING;
SOLDERING AREA: GOLD FLASH PLATING. ;
UNDER PLATING: NICKEL PLATING 50μ" THICKNESS MIN. OVERALL.
GROUND TERMINAL:
SOLDERING AREA: GOLD FLASH PLATING. ;
UNDER PLATING: NICKEL PLATING 10μ" THICKNESS MIN. OVERALL.
SHELL:
SOLDERING AREA: GOLD FLASH PLATING. ;
UNDER PLATING: NICKEL PLATING 10μ" THICKNESS MIN. OVERALL.
 - PRODUCT SPECIFICATION REFER TO : PS-7787.
 - TEST SUMMARY REFER TO : TS-7787.
 - THIS PRODUCT DOESN'T CONTAIN ENVIRONMENTAL HAZARDOUS PER DIRECTIVE 2011/65/EU FOR RoHS COMPLIANT OR PER IEC 61249-2-21 FOR HALOGEN-FREE COMPLIANT.
 - CRITICAL DIMENSION ▼ SHOULD BE CONTROLLED BY SPC.
 - MAJOR DIMENSION ▽ MUST BE CONTROLLED BY QIP.

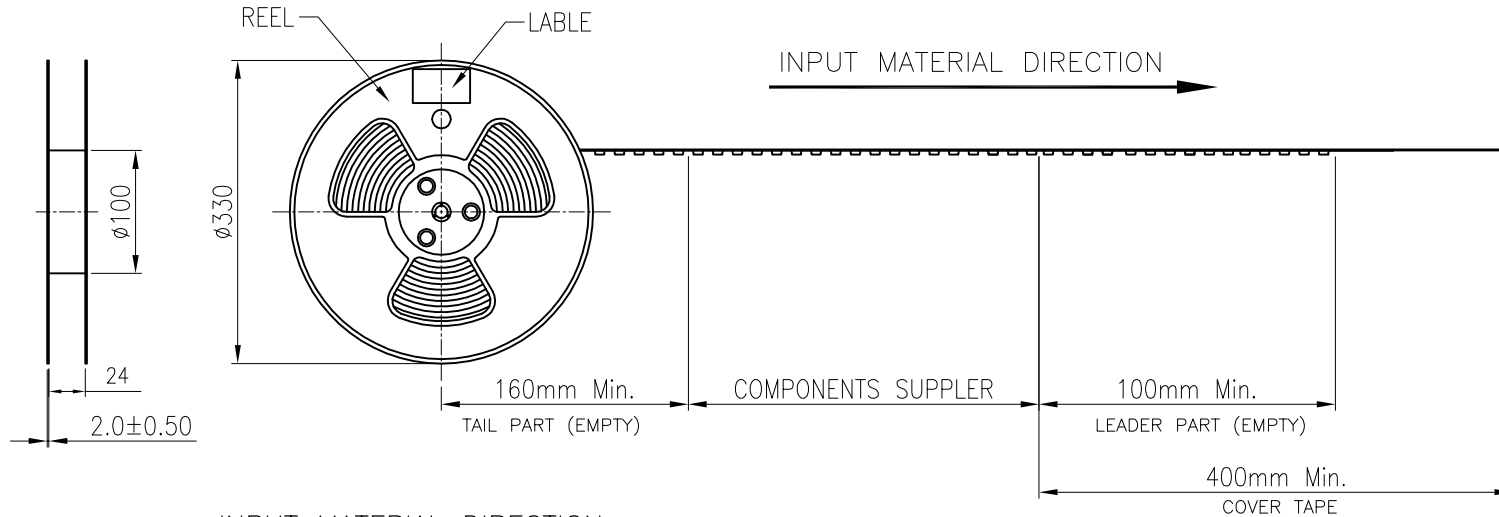
GENERAL TOLERANCE X.X = ±0.20 X.XX = ±0.15 X.X* = ±3°	WIESON TECHNOLOGIES CO., LTD WIESON		CUST NO.:	
	DRAWN BY	Tames	PART NO.: AC3518-02000004-00	
	CHECKED BY	Hsien	STANDARD NO.	AC3518-02000004-00
	APPROVED BY	Hsien	DRAWING SIZE	4 : 1 A4
	SORTING NO.	(3298)	UNIT	mm
			PAGE	3 OF 4

RoHS Compliant

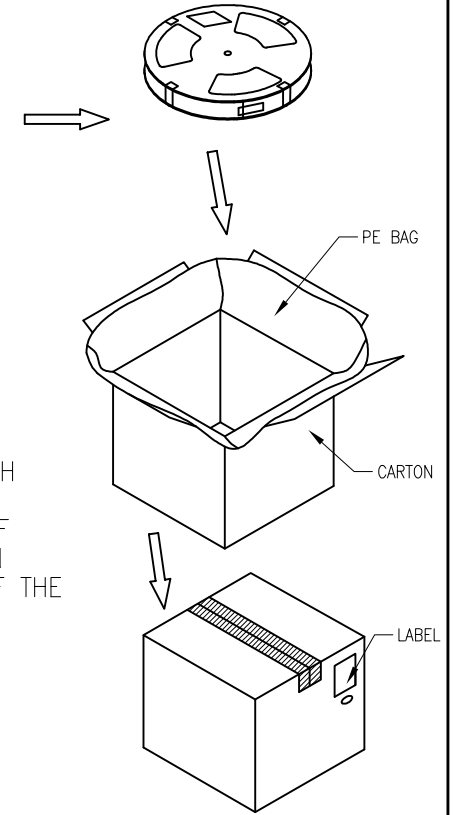
REV	DATE	DESCRIPTION	ECN NO.	NAME
A	21.09.16	NEW RELEASE		Tames

AC3518-02 SERIES USB TYPE C RIGHT ANGLE SMT TYPE CONNECTOR

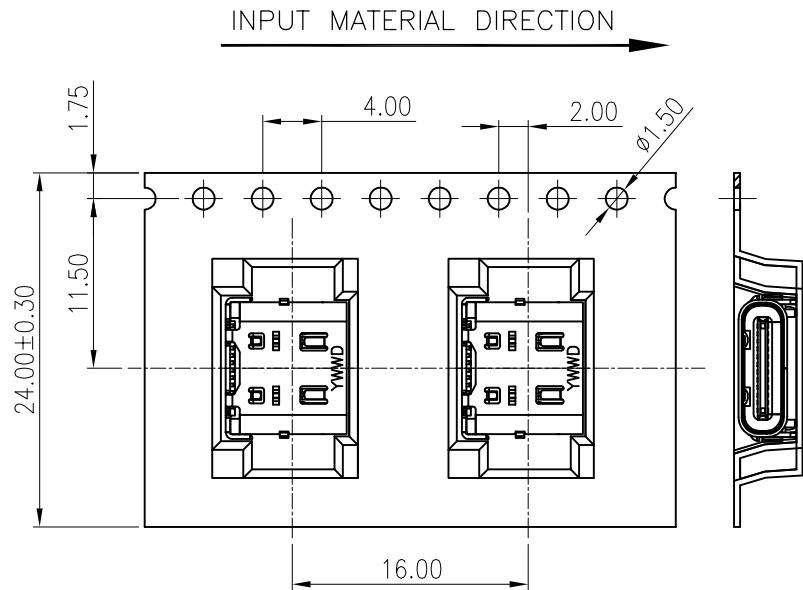
A



B



C



NOTES :

- 1.THE COVER TAPE OF TAPE SHALL HAVE A TOTAL PEEL STRENGTH OF FROM 10~130G.
- 2.THE DIRECTION OF PULL SHALL BE OPPASITE THE DIRECTION OF CARRIER TAPE TRAVEL SUCH THAT THE COVER TAPE MAKES AN ANGLE OF BETWEEN 165 AND 180 DEGREES WITH THE TOP OF THE CARRIER TAPE.
3. PEELING SPEED : 300MM/MINUTES.
4. ALL DIMENSIONS MEET EIA-418-D REQUIREMENTS.

CARTON SIZE 338mm X 338mm X 166mm

E

PACKING BY T&R	338*338*116	4.8	3.8	700	5	3500
	BOX SIZE /MM	G/W KG	N/W KG	PCS/ REEL	REELS /BOX	QUANTITY (PCS)

GENERAL TOLERANCE		WIESON TECHNOLOGIES CO., LTD		CUST NO.:	
X.X	=±0.20	DRAWN BY	Tames	PART NO.:	
X.XX	=±0.15	CHECKED BY	Hsien	AC3518-02000004-00	
X.X*	=±3*	APPROVED BY	Hsien	STANDARD NO.	AC3518-02000004-00
SORTING NO.		(3298)		DRAWING SIZE	4 : 1 A4
				UNIT	mm
				PAGE	4 OF 4