

**RoHS Compliant**

3518 SERIES USB-C RECEPTACLE SMT TYPE 16P

REV	DATE	DESCRIPTION	ECN NO.	NAME
A	19.12.10	PROPOSAL		WCQUAN

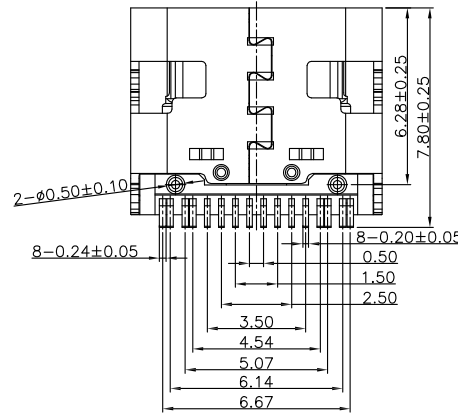
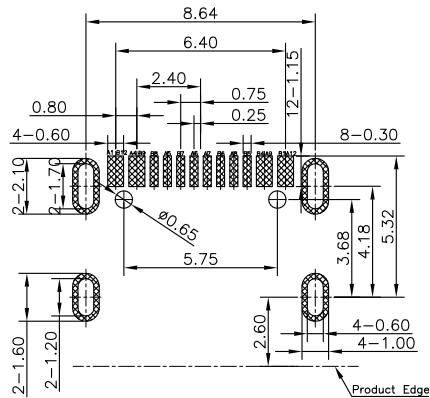
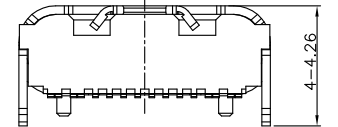
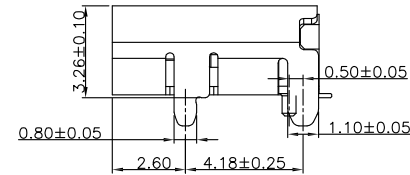
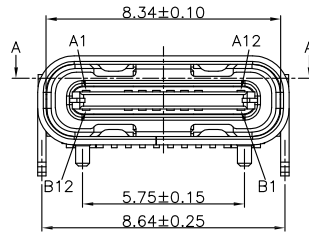
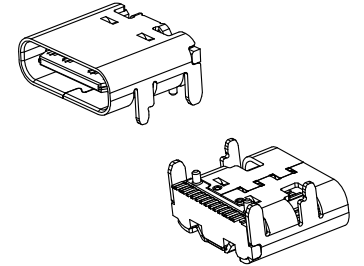
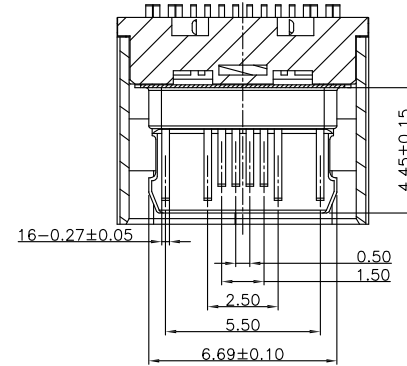
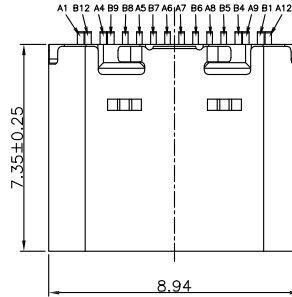
**MATERIAL:**

HOUSING: LCP (UL94V-0)  
 HOUSING COLOR: BALCK  
 TERMINAL: COPPER ALLOY  
 TERMINAL PLATING: SELECTIVE Au IN CONTACT AREA,  
 80u" Sn IN SOLDER TAIL AREA,  
 BOTH OVER 30u" min Ni UNDER  
 PLATED OVERALL

SHELL: STAINLESS STEEL  
 SHELL PLATING: Ni PLATED  
 MID-PLATE: STAINLESS STEEL

**SPECIFICATION:**

1. CURRENT RATING: 5A MAX
2. VOLTAGE: 100 VAC
3. TEMPERATURE RANGE: -30 °C ~ 85 °C
4. CONTACT RESISTANCE: 40 mΩ MAX
5. INSULATION RESISTANCE: 100 MΩ MIN.
6. INSERTION FORCE : 5N~20N
7. UNMATING FORCE: 8N~20N
8. DURABILITY: 10,000 CYCLES



ORDER INFORMATION  
 AC3518-16 00 00 XX -XX

**TERMINAL PLATING**

- 01: GOLD FLASH
- 02: 15u" Au
- 03: 30u" Au

00: RoHS Compliant  
 H0: RoHS&HALOGEN FREE

PIN	SIGNAL NAME	PIN	SIGNAL NAME
A1	GND	B12	GND
A4	VBUS	B9	VBUS
A5	CC1	B8	SBU2
A6	DP1	B7	DN2
A7	DN1	B6	DP2
A8	SBU1	B5	CC2
A9	VBUS	B4	VBUS
A12	GND	B1	GND

**RECOMMENDED P.C.BOARD HOLE LAYOUT**

NOTE: P.C.B LAYOUT TOLERANCE: ±0.05mm

GENERAL TOLERANCE ± 0.25mm	WIESON TECHNOLOGIES CO., LTD		PART NO.: AC3518-160000XX-XX	
	DRAWN BY	WCQUAN(WSC)	DRAWING NO.	AC3518-160000XX-XX
GENERAL ANGLE TOLERANCE ± 3°	CHECKED BY	YXJ	DRAWING SIZE	A4
	APPROVED BY	JIM	UNIT	mm
	SORTING NO.	CA0059(WSC)	PAGE	1 OF 1