

RoHS Compliant

3518 SERIES USB 3.1 C TYPE RECEPTACLE MID-MOUNT DUAL-ROW SMT TYPE

REV	DATE	DESCRIPTION	ECN NO.	NAME
A	19.12.09	PROPOSAL		WCQUAN
A1	19.12.31	△ MODIFY		WCQUAN

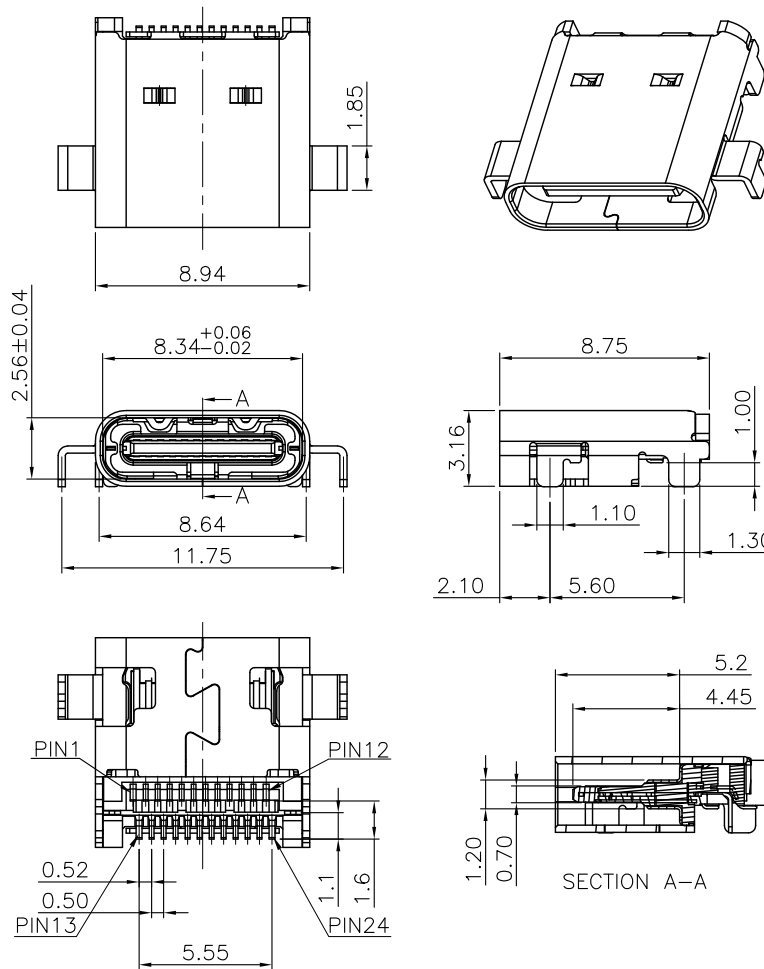
MATERIAL:

HOUSING: LCP (UL94V-0)
 HOUSING COLOR: BLACK
 TERMINAL: COPPER ALLOY
 TERMINAL PLATING: SELECTIVE Au IN CONTACT AREA,
 80u" min. Sn IN SOLDER TAIL AREA,
 BOTH OVER 30u" min. Ni UNDER
 PLATED OVERALL

MID-PLATE: STAINLESS STEEL
 MID-PLATE PLATING: Ni PLATED
 SHELL: STAINLESS STEEL
 SHELL PLATING: Ni PLATED

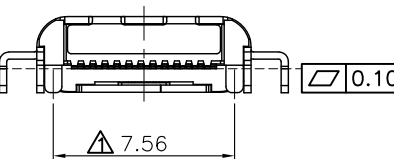
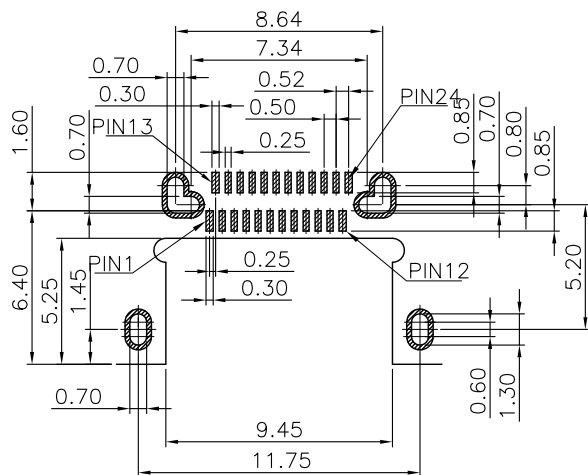
SPECIFICATIONS:

1. MECHANICAL :
 - 1.1 INSERTION FORCE :5N~20N
 - 1.2 WITHDRAWAL FORCE :8N~20N
AFTER 10,000 CYCLES MATING:6N~20N
2. ELECTRICAL :
 - 2.1 CONTACT CURRENT RATING: 5A MAX FOR VBUS;
0.25A MIN FOR OTHER
 - 2.2 VOLTAGE RATING : 5V AC
 - 2.3 WITHSTANDING VOLTAGE: 100 VAC FOR 1 MINUTE.
INSULATION RESISTANCE: 100 MEGAOHMS MIN.
 - 2.4 CONTACT RESISTANCE: 40 MILLIOHMS MAX.
3. ENVIRONMENTAL :
 - 3.1 OPERATING TEMPERATURE:-55°C TO +85°C



USB TYPE-C PIN ASSIGNMENTS

PIN NUMBER	SIGNAL NAME	PIN NUMBER	SIGNAL NAME
A1	GND	B12	GND
A2	SSTXp1	B11	SSRXp1
A3	SSTXn1	B10	SSRXn1
A4	VBUS	B9	VBUS
A5	CC1	B8	SBU2
A6	Dp1	B7	Dn2
A7	Dn1	B6	Dp2
A8	SBU1	B5	CC2
A9	VBUS	B4	VBUS
A10	SSRXn2	B3	SSTXn2
A11	SSRXp2	B2	SSTXp2
A12	GND	B1	GND



ORDER INFORMATION
 AC3518-17 00 00 XX -XX

TERMINAL PLATING
 01: GOLD FLASH
 02: 15u" Au
 03: 30u" Au

00: RoHS Compliant
 H0: RoHS&HALOGEN FREE

NOTE: P.C.B LAYOUT TOLERANCE: ±0.05mm

GENERAL TOLERANCE		WIESON TECHNOLOGIES CO., LTD		PART NO.:	
X.X	:±0.35	DRAWN BY WCQUAN(WSC)		AC3518-170000XX-XX	
X.XX	:±0.25			DRAWING NO. AC3518-170000XX-XX	
X.XXX	:±0.15	CHECKED BY YXJ		DRAWING SIZE	
X'	:±3'	APPROVED BY JIM		UNIT mm	
SORTING NO. CA0059(WSC)		PAGE		1 OF 1	