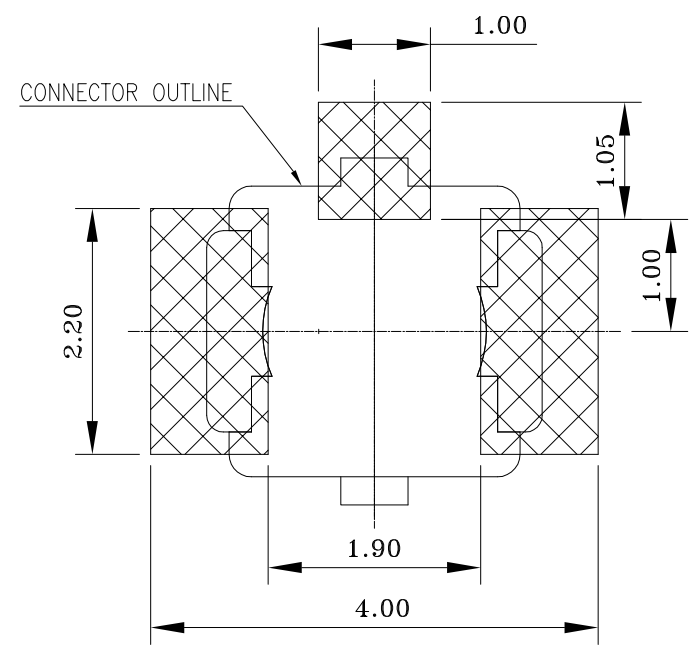
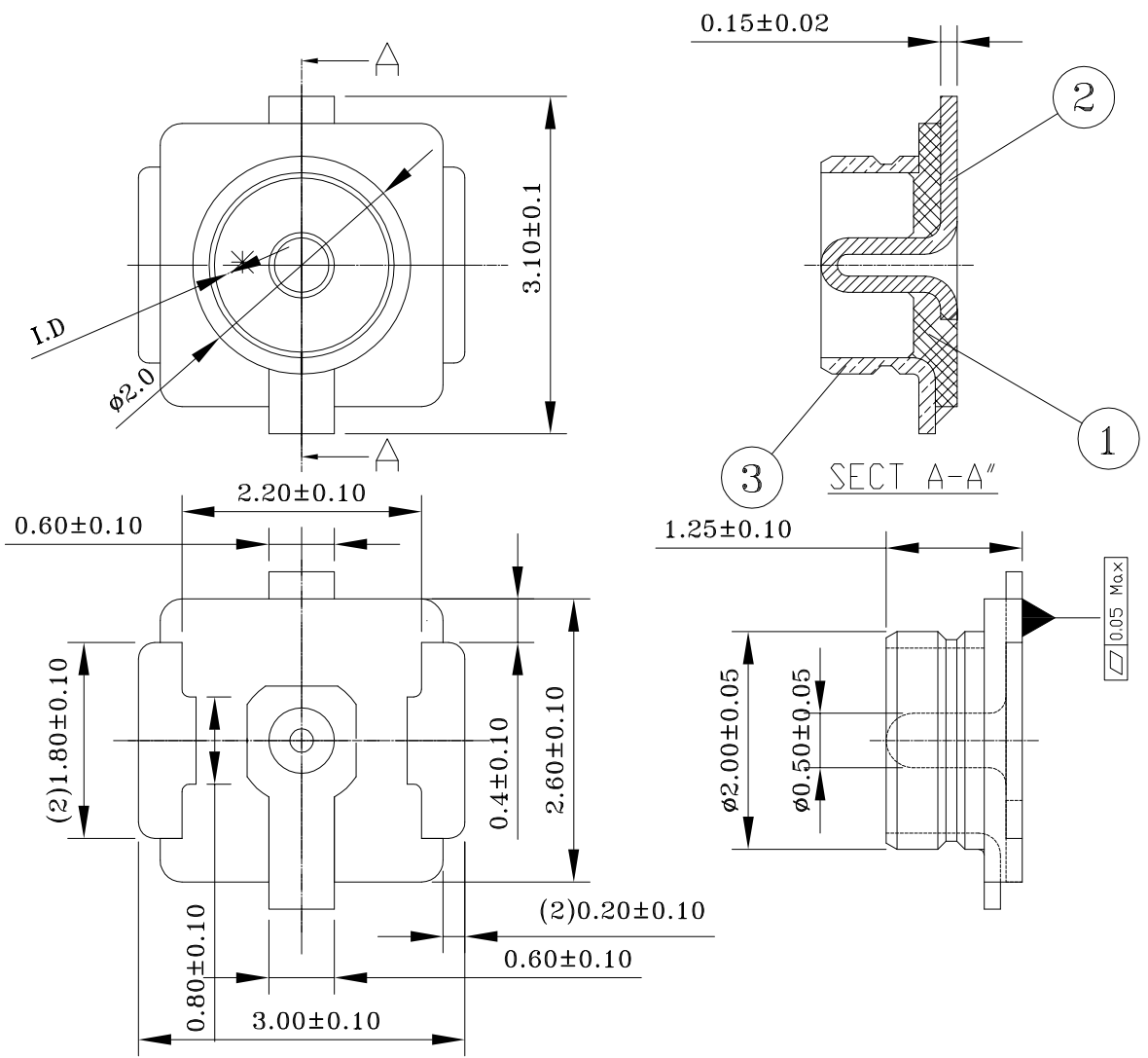


RoHS Compliant

REV	DATE	DESCRIPTION	NAME
01	21.05.04	NEW RELEASE	

A  
B  
C  
D  
E



RECOMMENDED FOOTPRINT PATTERN

⑦								
⑥								
⑤								
④								
③	GROUND CONTACT	COPPER ALLOY GOLD FLASH	1	DRAWN BY	WEN(WST)	DRAWING NO.	WSTSXXXXXX	
②	SINGAL CONTACT	COPPER ALLOY GOLD FLASH	1	CHECKED BY		DRAWING SIZE	A4	
①	HOUSING	LCP RESIN WITH 30%G/F. FILLED ,UL 94V-0	1	APPROVED BY		UNIT	mm	
NO.	ITEM	DESCRIPTION	QTY	SORTING NO.	WSC;WST	PAGE	1 OF 1	

WIESON TECHNOLOGIES CO., LTD  
WIESON

PART NO.:  
AR7169-MHF01-03PAD

TITLE:  
MHF RECEPTACLE 3PAD