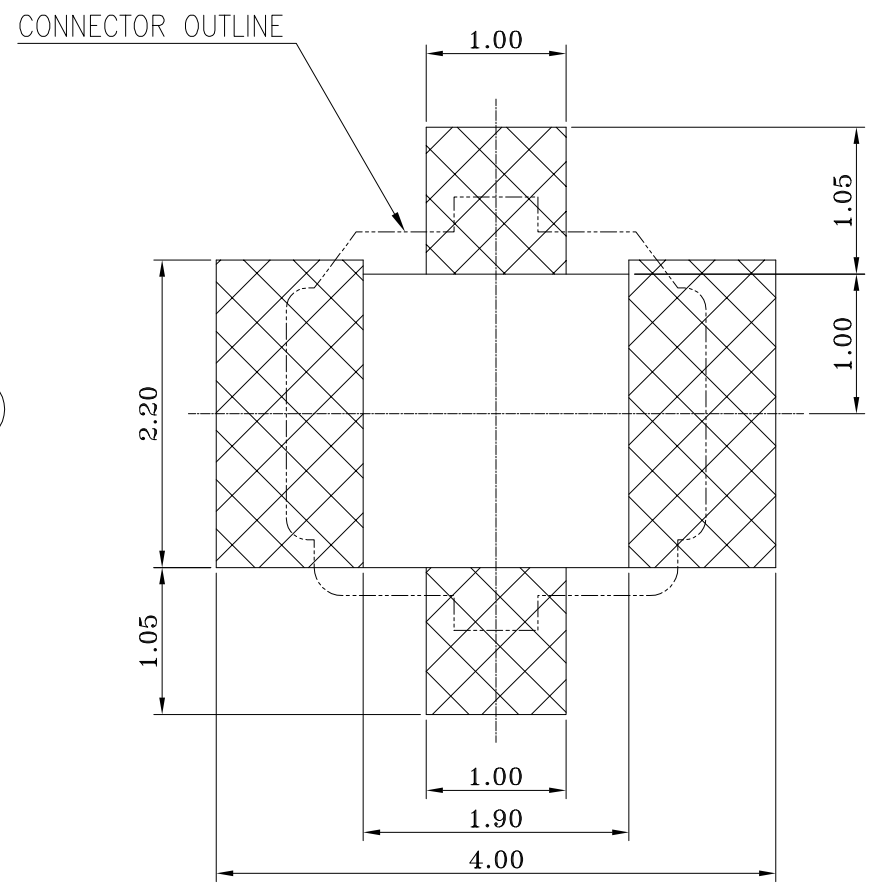
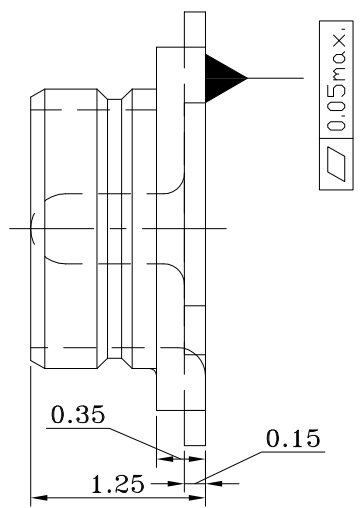
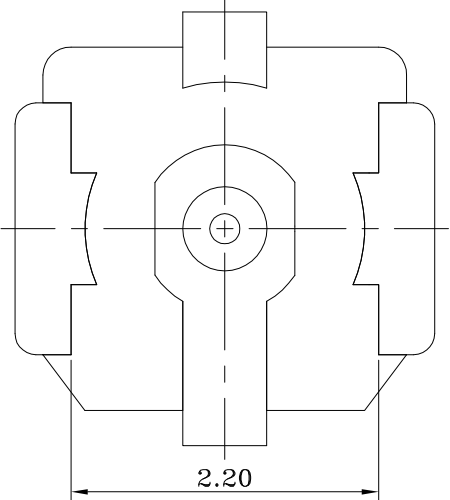
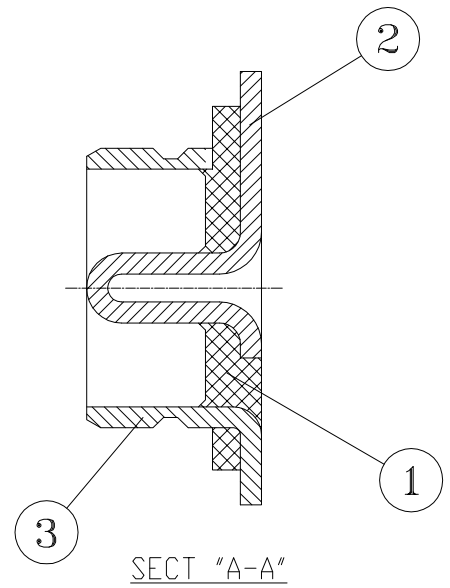
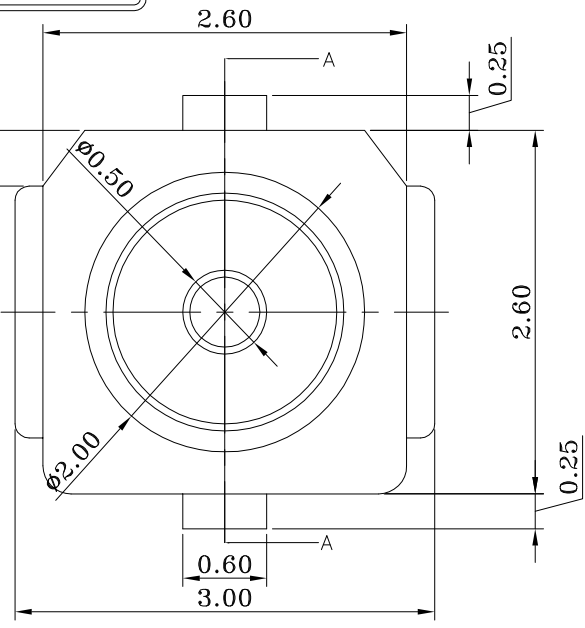


RoHS Compliant

REV	DATE	DESCRIPTION	NAME
01	21.05.04	NEW RELEASE	

A
B
C
D
E



NO.	ITEM	DESCRIPTION	QTY
⑥			
⑤			
④			
③	GROUND CONTACT	COPPER ALLOY GOLD FLASH	1
②	SINGAL CONTACT	COPPER ALLOY GOLD FLASH	1
①	HOUSING	LCP RESIN WITH 30%G/F. FILLED ,UL 94V-0	1

WIESON TECHNOLOGIES CO., LTD WIESON		PART NO.: AR7169-MHF01-04PAD	
TITLE: MHF RECEPTACLE 4PAD			
1	DRAWN BY	WEN(WST)	DRAWING NO. WSTSXXXXXX
1	CHECKED BY		DRAWING SIZE A4
1	APPROVED BY		UNIT mm
	SORTING NO.	WSC;WST	PAGE 1 OF 1