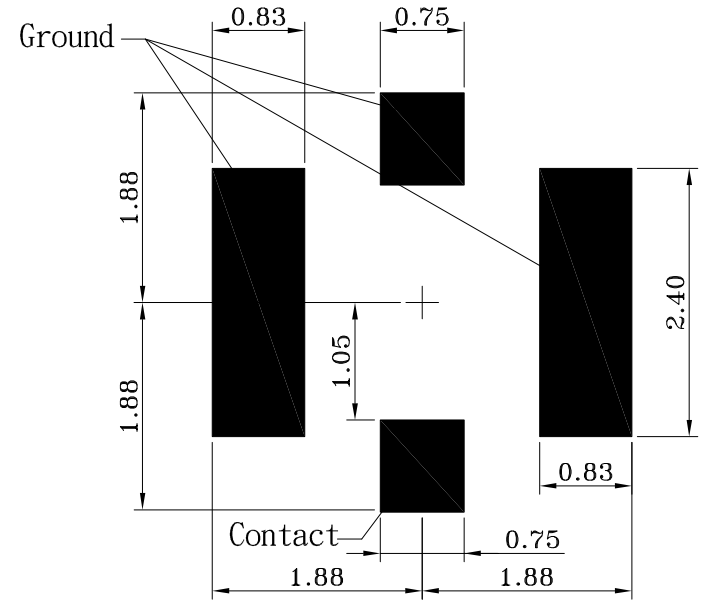
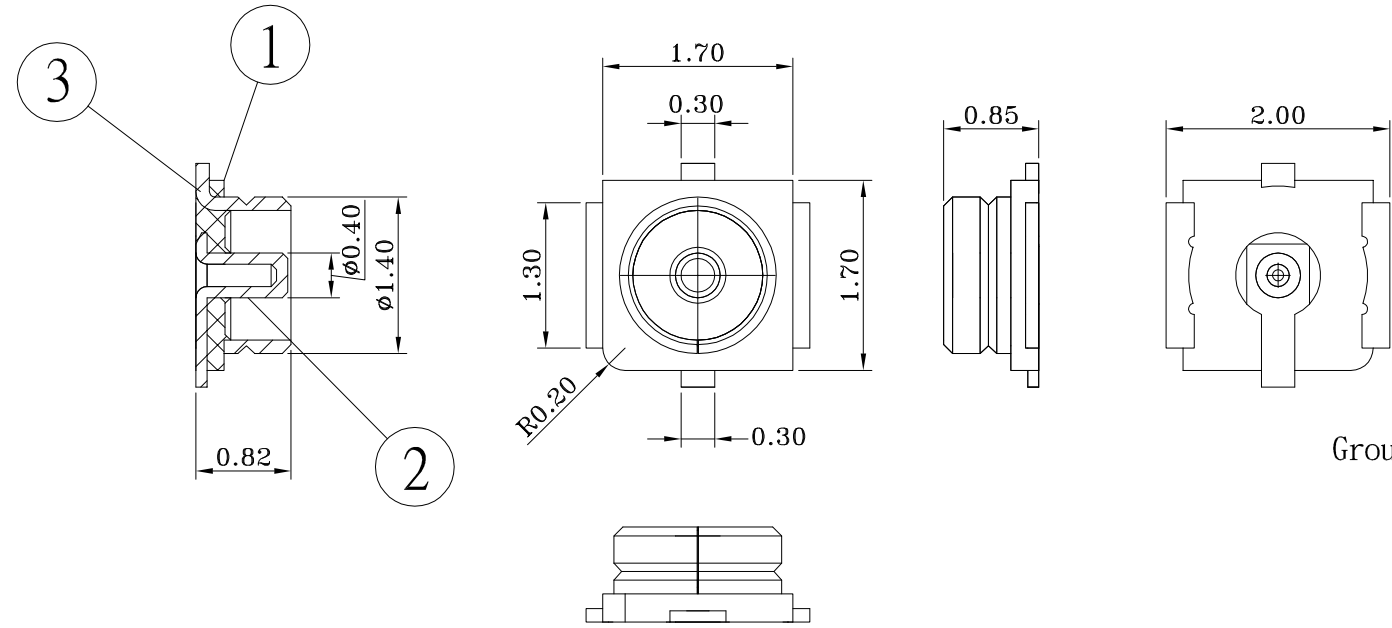


RoHS Compliant

| REV | DATE | DESCRIPTION | NAME |
|-----|----------|-------------|------|
| 01 | 21.05.04 | NEW RELEASE | |

A
B
C
D



RECOMMENDED P.C.B LAYOUT

E

| | | | | | | | | | | | |
|-----|------|-------------|-----|--|----------------|---|--------------------|-------------|----------|--------------|------------|
| ⑦ | | | | WIESON TECHNOLOGIES CO., LTD WIESON | PART NO.: | | AR7169-MHF03-04PAD | | | | |
| ⑥ | | | | | TITLE: | MHF III RECEPTACLE | | | | | |
| ⑤ | | | | ③ | GROUND CONTACT | COPPER ALLOY GOLD FLASH | 1 | DRAWN BY | WEN(WST) | DRAWING NO. | WSTSXXXXXX |
| ④ | | | | ② | SINGAL CONTACT | COPPER ALLOY GOLD FLASH | 1 | CHECKED BY | | DRAWING SIZE | A4 |
| | | | | ① | HOUSING | LCP RESIN WITH 30%G/F. FILLED ,UL 94V-0 | 1 | APPROVED BY | | UNIT | mm |
| NO. | ITEM | DESCRIPTION | QTY | | SORTING NO. | WSC;WST | | PAGE | 1 OF 1 | | |