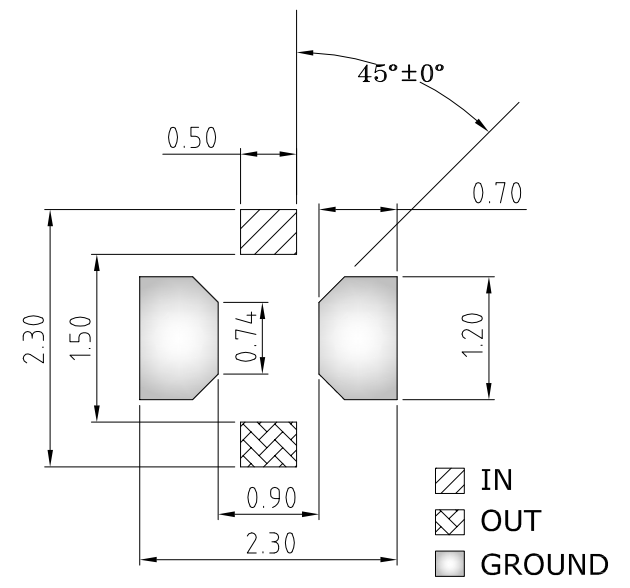
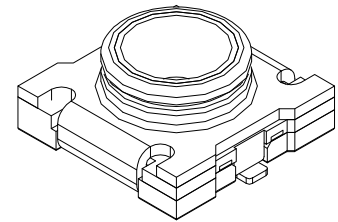
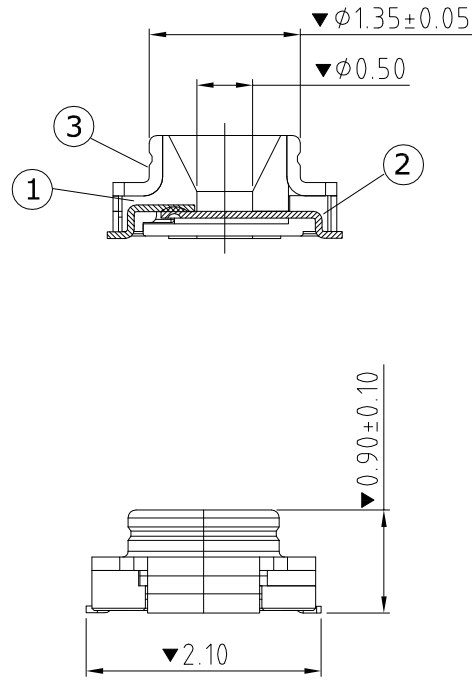
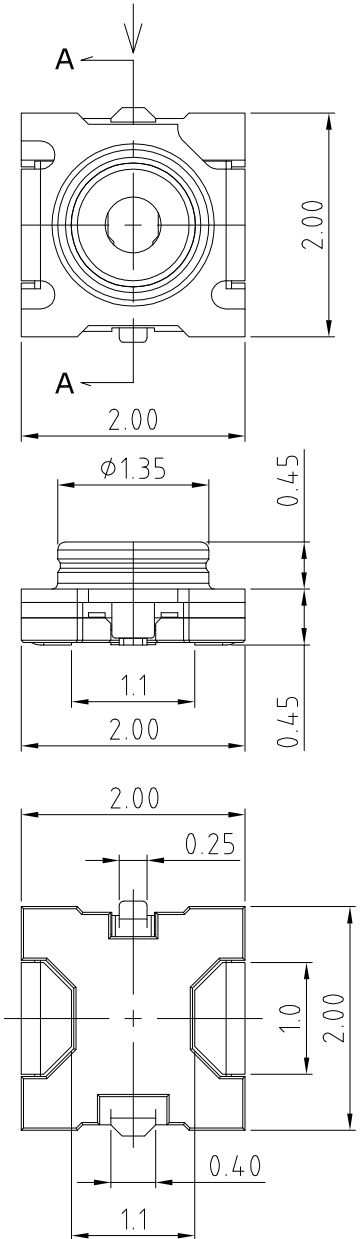


RoHS Compliant

Signal In

| REV | DATE | DESCRIPTION | NAME |
|-----|----------|-------------|------|
| 01 | 21.05.04 | NEW RELEASE | |

A
B
C
D
E



RECOMMEND STENCIL MASK PATTERN
(MASK THICKNESS 0.10~0.12mm)

| NO. | ITEM | DESCRIPTION | QTY | SORTING NO. | WSC;WST | PAGE | 1 OF 1 |
|-----|-----------------|--------------------------|-----|-------------|----------|--------------|------------|
| ③ | CONTACT | TRUNK CONTACT,GOLD FLASH | 1 | DRAWN BY | WEN(WST) | DRAWING NO. | WSTSXXXXXX |
| ② | HOUSING+CONTACT | HOUSING-BOT+CONTACT-2 | 1 | CHECKED BY | | DRAWING SIZE | A4 |
| ① | HOUSING+CONTACT | HOUSING-TOP+CONTACT-1 | 1 | APPROVED BY | | UNIT | mm |

WIESON TECHNOLOGIES CO., LTD
WIESON

PART NO.:
AR7169-SW01-2X2PAD

TITLE:
2x2 SWITCH RECEPTACLE