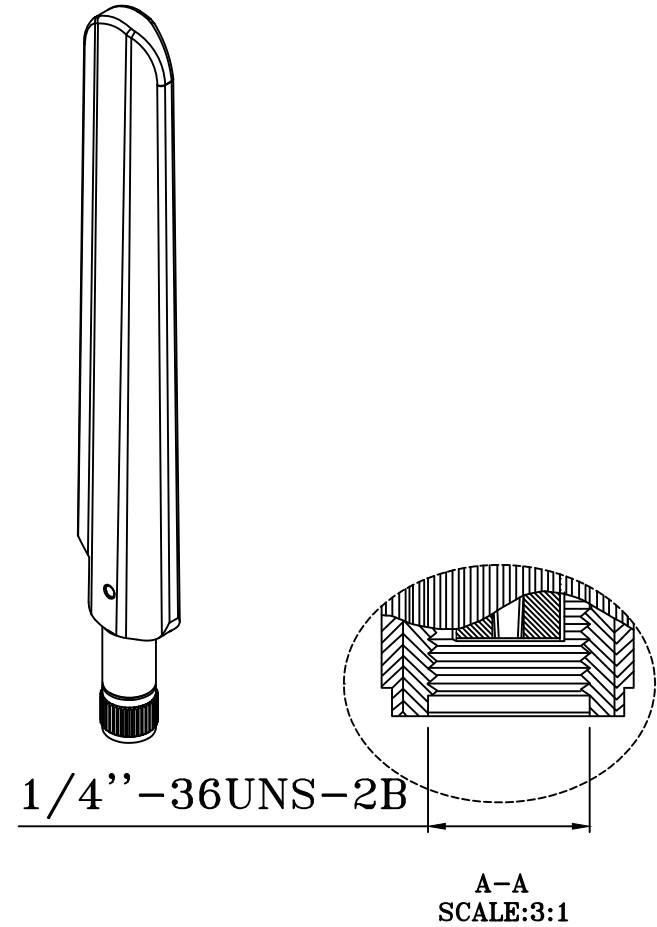
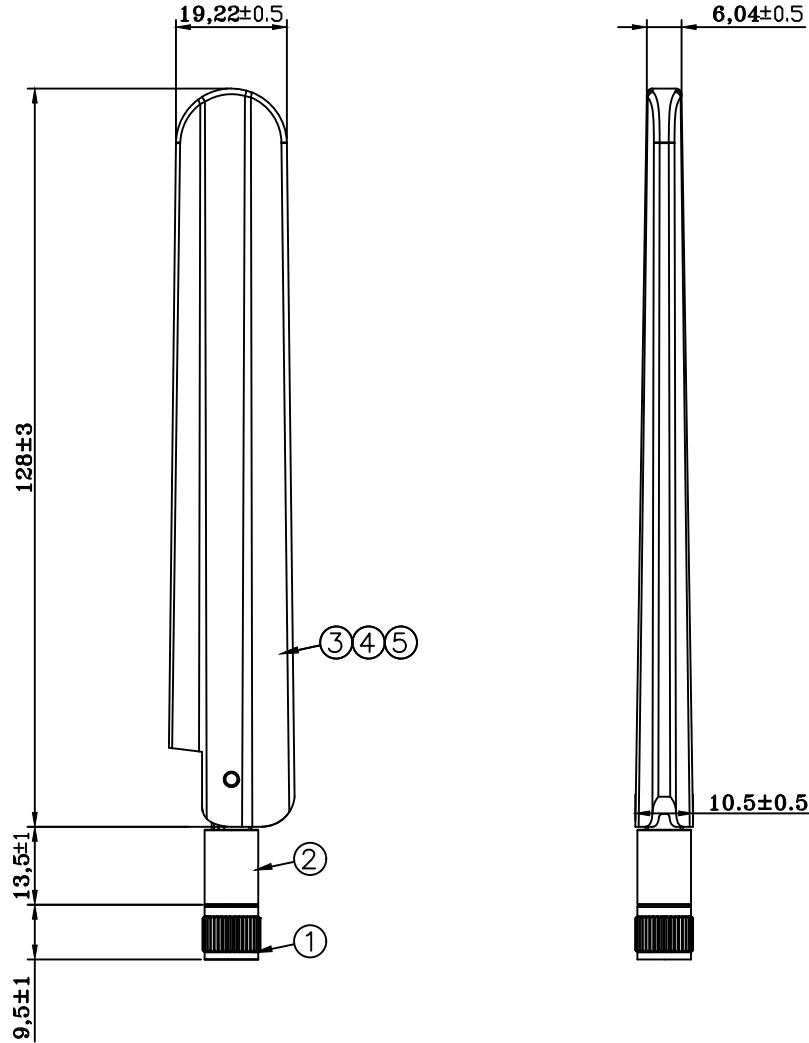


REV	DATE	DESCRIPTION	ECR NO.	NAME
A1	22.07.05	NEW RELEASE		

HF Compliant



NOTES:

1. Frequency: 2.4~2.5 / 5.15~5.85GHz
2. V.S.W.R: <2.0 Max.
3. Impedance: 50 ohm

 WIESON TECHNOLOGIES CO., LTD WIESON	PART NO.:	ARY121-XXXX-XXX-00
	TITLE:	DUAL BAND ANTENNA

NO.	ITEM	DESCRIPTION	QTY	SORTING NO.	WSC	PAGE	1 OF 1
⑤	COVER	COVER , BLACK	1				
④	PCB	PCB FR-4	1				
③	CABLE	RG-178 MINI COAXIAL CABLE , OD:1.8 , BLACK	1	DRAWN BY	WEN(WST)	DRAWING NO.	ARY121-XXXX-XXX-00
②	BASE	BASE, BLACK	1	CHECKED BY		DRAWING SIZE	A4
①	SMA	SMA PLUG(R.P) FOR ANTENNA	1	APPROVED BY		UNIT	mm