

REV	DATE	DESCRIPTION	ECN NO.	NAME
A	07.12.12	NEW RELEASE		FPBING
B	08.07.16	△ADD B-LOCK SPEC	CECR08003374	FPBING
C	09.05.06	△ADD MATERIAL COLOR SPEC	CECR09004257	ANGURY

1212 SERIES SHROUDED SATA VERTICAL TYPE

NOTE:

1.MATERIAL

HOUSING: HIGH TEMPERATURE THERMOPLASTIC (UL94V-0)
 TERMINAL: COPPER ALLOY,T=0.30±0.01mm
 BOARD LOCK : COPPER ALLOY,T=0.30±0.01mm

2.PLATING :

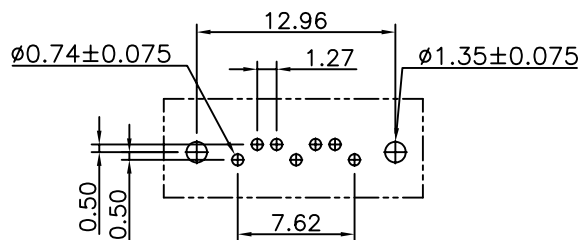
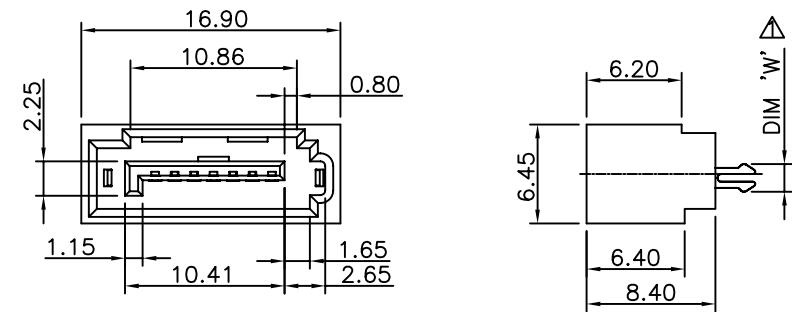
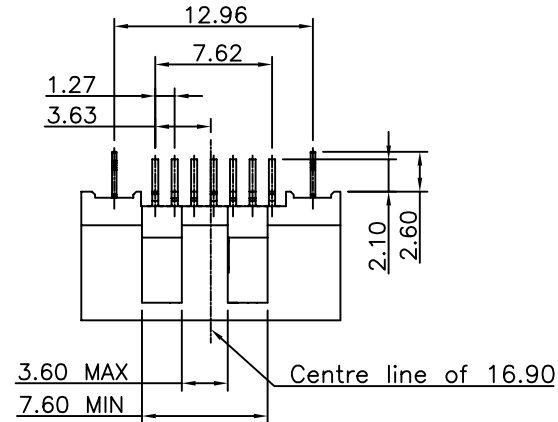
TERMINAL : Au PLATED ON CONTACT AREA(SEE ORDER INFORMATION),
 Sn PLATED ON SOLDER TAIL AREA,
 BOTH OVER Ni UNDERPLADED OVERALL.

BOARD LOCK : Sn OVERALL,
 BOTH OVER Ni UNDERPLADED OVERALL.

3.ORDER INFORMATION : G1212-26 ** ** * -00

△ HOUSING TYPE ,B-LOCK SPEC	PLATING
01: A TYPE , W = 1.8	01: 1u" GOLD
02: B TYPE , W = 1.8	02: 15u" GOLD
03: A TYPE , W = 1.6	03: 30u" GOLD
04: B TYPE , W = 1.6	

00: LCP (UL94V-0) , BLACK ; 01: NY6T (UL94V-0) , BLACK
 02: NY6T (UL94V-0) , BLUE ; 03: NY6T (UL94V-0) , YELLOW
 04: NY6T (UL94V-0) , RED ; 05: NY6T (UL94V-0) , GRAY△



RECOMMENDED PCB LAYOUT
 A TYPE(TOP VIEW)

P.C.B LAYOUT TOLERANCE:±0.05mm

G1212-26*****-00 (A TYPE)

GENERAL TOLERANCE	WIESON TECHNOLOGIES CO., LTD WIESON	PART NO.: G1212-26*****-00	
		DRAWN BY: HSIEN	DRAWING NO.: G1212-26XXXXXX-00
X.X = ±0.20	CHECKED BY: KEVIN	DRAWING SIZE: 2 : 1	A4
X.XX = ±0.10	APPROVED BY: JERRY	UNIT: mm	
X.X* = ±3'	SORTING NO.: WSC	PAGE: 1 OF 2	

ISSUED

[ARTICLE:044033 V5]

REV	DATE	DESCRIPTION	ECN NO.	NAME
A	07.12.12	NEW RELEASE		FPBING
B	08.0716	△ADD B-LOCK SPEC	CECR08003374	FPBING
C	09.05.06	△ADD MATERIAL COLOR SPEC	CECR09004257	ANGURY

1212 SERIES SHROUDED SATA VERTICAL TYPE

NOTE:

1.MATERIAL

HOUSING: HIGH TEMPERATURE THERMOPLASTIC (UL94V-0)
 TERMINAL: COPPER ALLOY,T=0.30±0.01mm
 BOARD LOCK : COPPER ALLOY,T=0.30±0.01mm

2.PLATING :

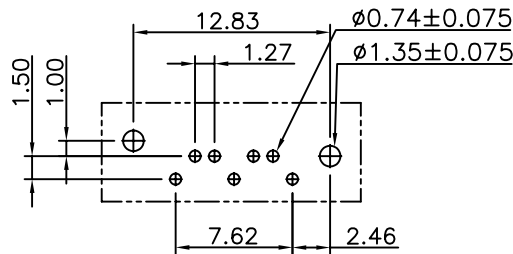
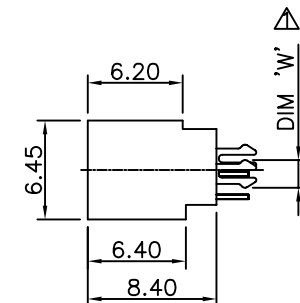
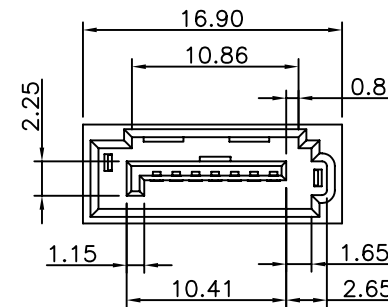
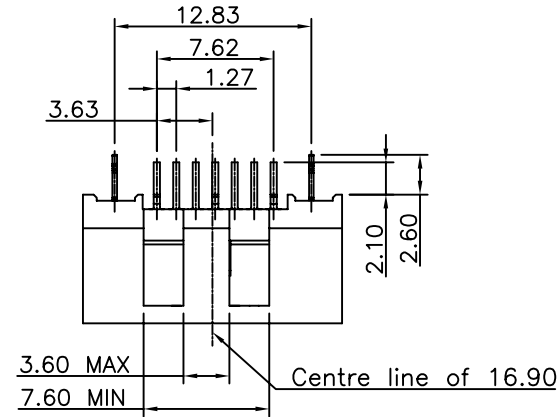
TERMINAL : Au PLATED ON CONTACT AREA(SEE ORDER INFORMATION),
 Sn PLATED ON SOLDER TAIL AREA,
 BOTH OVER Ni UNDERPLADED OVERALL.

BOARD LOCK : Sn OVERALL,
 BOTH OVER Ni UNDERPLADED OVERALL.

3.ORDER INFORMATION : G1212-26 ** ** * -00

△ HOUSING TYPE ,B-LOCK SPEC	PLATING
01: A TYPE , W = 1.8	01: 1u" GOLD
02: B TYPE , W = 1.8	02: 15u" GOLD
03: A TYPE , W = 1.6	03: 30u" GOLD
04: B TYPE , W = 1.6	

00: LCP (UL94V-0) , BLACK ; 01: NY6T (UL94V-0) , BLACK
 02: NY6T (UL94V-0) , BLUE ; 03: NY6T (UL94V-0) , YELLOW
 04: NY6T (UL94V-0) , RED ; 05: NY6T (UL94V-0) , GRAY △



RECOMMENDED PCB LAYOUT
 B TYPE(TOP VIEW)
 P.C.B LAYOUT TOLERANCE:±0.05mm

G1212-26*****-00 (B TYPE)

GENERAL TOLERANCE X.X = ±0.20 X.XX = ±0.10 X.X* = ±3°	WIESON TECHNOLOGIES CO., LTD WIESON	PART NO.: G1212-26*****-00	
	DRAWN BY	HSIEN	DRAWING NO. G1212-26XXXXX-00
	CHECKED BY	KEVIN	DRAWING SIZE 2 : 1 A4
	APPROVED BY	JERRY	UNIT mm
	SORTING NO.	WSC	PAGE 2 OF 2

ISSUED