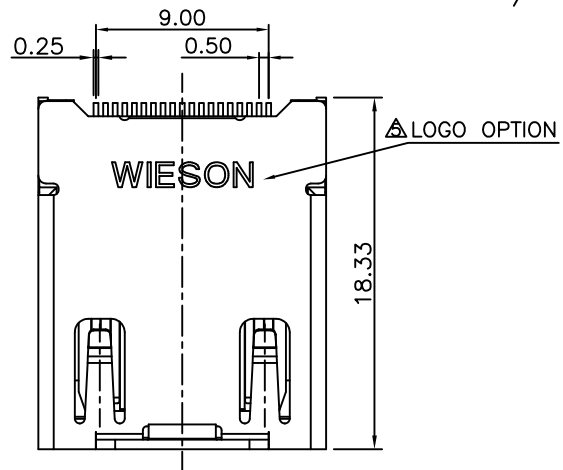


HF Compliant

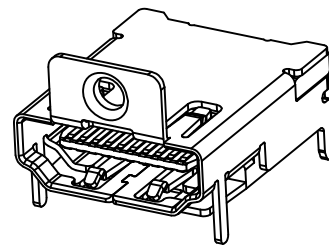
3168 SERIES HDMI FEMALE RIGHT/ANGLE SMT LONG TYPE-2

REV	DATE	DESCRIPTION	ECN NO.	NAME
A	07.10.23	NEW RELEASE		KEITH
B	08.04.15	△CORRECT HOUSING	CECR08002984	ZENGXC
C	08.09.01	△ADD SCREW OPTION	CECR08003601	HEHONG
D	10.09.13	△ADD SCREW OPTION	CECR08003181	SKY
E	11.11.08	△ADD TYPE	CECR08003181	YXJ
F	11.11.28	△ADD LOGO TYPE	CECR09004497	YXJ
G	13.09.02	△ADD PLATING OPTION	CECR13007864	YAI

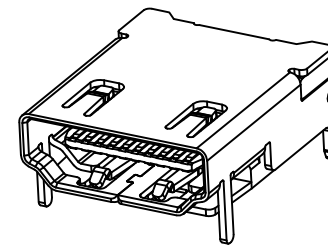
A



B

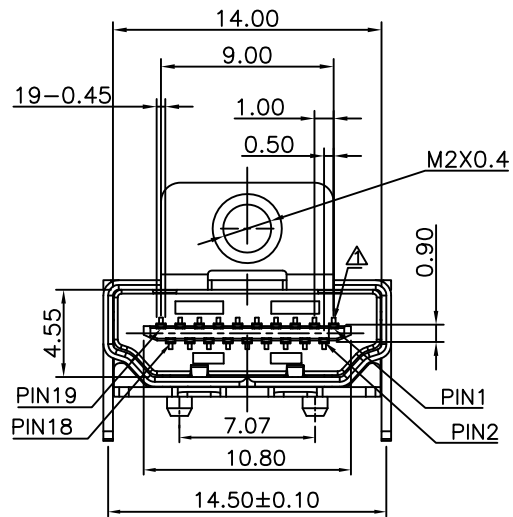


W/ SCREW

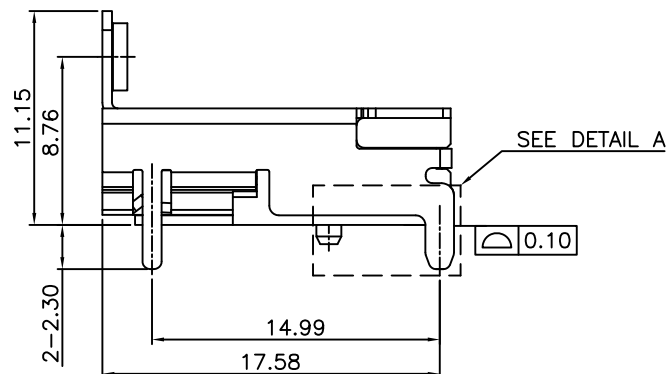


W/O SCREW

C



D



E

GENERAL TOLERANCE		WIESON TECHNOLOGIES CO., LTD		PART NO.: G3168-14XXXXXX-XX	
X.X	=±0.20	DRAWN BY	KEITH	DRAWING NO. G3168-14XXXXXX-XX	
X.XX	=±0.15	CHECKED BY	JIM	DRAWING SIZE 2.5:1   A4	
X.X*	=±3°	APPROVED BY	KEVIN	UNIT mm	
		SORTING NO.	WSC	PAGE 1 OF 2	

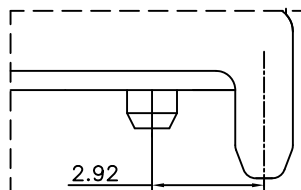
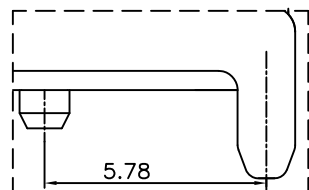
**HF Compliant**

3168 SERIES HDMI FEMALE RIGHT/ANGLE SMT LONG TYPE-2

REV	DATE	DESCRIPTION	ECN NO.	NAME
A	07.10.23	NEW RELEASE		KEITH
B	08.04.15	△CORRECT HOUSING	CECR08002984	ZENGXC
C	08.09.01	△ADD SCREW OPTION	CECR08003601	HEHONG
D	10.09.13	△ADD SCREW OPTION	CECR10005705	SKY
E	11.11.08	△ADD TYPE	CECR08003181	YXJ
F	11.11.28	△ADD LOGO TYPE	CECR09004497	YXJ
G	13.09.02	△ADD PLATING OPTION	CECR13007864	YAI

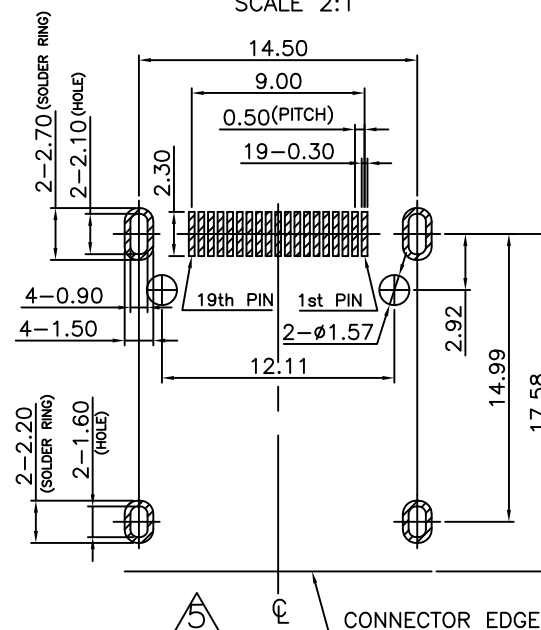
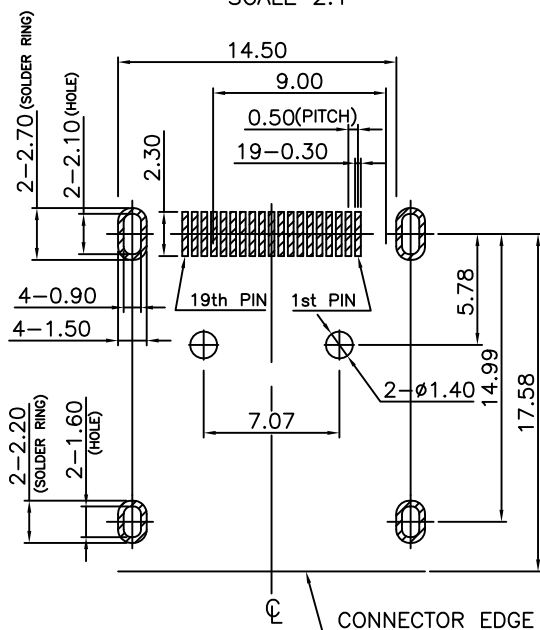
TYPE A

TYPE B



△ DETAIL A  
SCALE 2:1

△ DETAIL A  
SCALE 2:1



RECOMMENDED PCB LAYOUT (TOP VIEW)  
TOLERANCE: ±0.05mm

RECOMMENDED PCB LAYOUT (TOP VIEW)  
TOLERANCE: ±0.05mm

NOTE :

- MATERIAL :  
 TERMINAL :COPPER ALLOY T=0.2±0.01mm.  
 SHELL : COPPER ALLOY T=0.5±0.02mm.  
 HOUSING : HIGH TEMPERATURE,BLACK.
- PLATING :  
 TERMINAL : Au PLATED ON CONTACT AREA (SEE ORDER INFORMATION),  
 100u" Sn PLATED ON SOLDER TAIL AREA,  
 BOTH OVER 50u" MIN. Ni UNDERPLATED OVERALL.  
 SHELL :SEE ORDER INFORMATION.

3.ORDER INFORMATION : G3168-14 XX XX X X - XX  
 ① ② ③ ④ ⑤  
 △ △ △ △ △

- ① { 00 : W/ SCREW, W/O LOGO  
 01 : W/O SCREW, W/O LOGO  
 △△ 02 : W/ SCREW, W/ LOGO  
 03 : W/O SCREW, W/ LOGO
- ② { 01 : W/O POST  
 02 : W/ POST TYPE A △  
 03 : W/ POST TYPE B △
- △③ { 0 : SHELL :40~100u" SOLDERABLE Ni OVERALL.  
 1 : SHELL :GOLD FLASH PLATED,50u" Ni OVERALL.
- ④ { 1 : Au FLASH  
 2 : 3u"Au  
 3 : 15u"Au  
 4 : 30u"Au
- ⑤ { 00 : RoHS Compliant  
 △ H0 : HF Compliant

GENERAL TOLERANCE	WIESON TECHNOLOGIES CO., LTD	PART NO.: G3168-14XXXXXX-XX	
X.X = ±0.20	DRAWN BY KEITH	DRAWING NO.	G3168-14XXXXXX-XX
X.XX = ±0.15	CHECKED BY JIM	DRAWING SIZE	2.5:1 A4
X.X* = ±3*	APPROVED BY KEVIN	UNIT	mm
⊕	SORTING NO. WSC	PAGE	2 OF 2