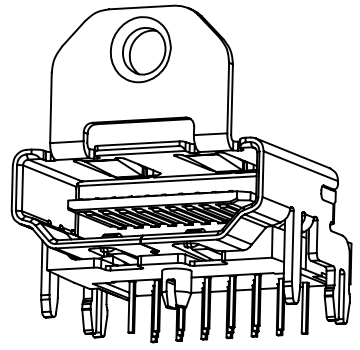
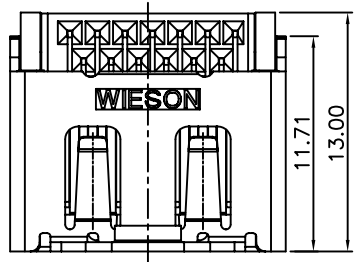


3168 SERIES HDMI FEMALE RIGHT/ANGLE DIP TYPE

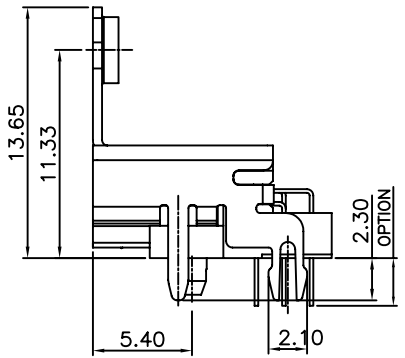
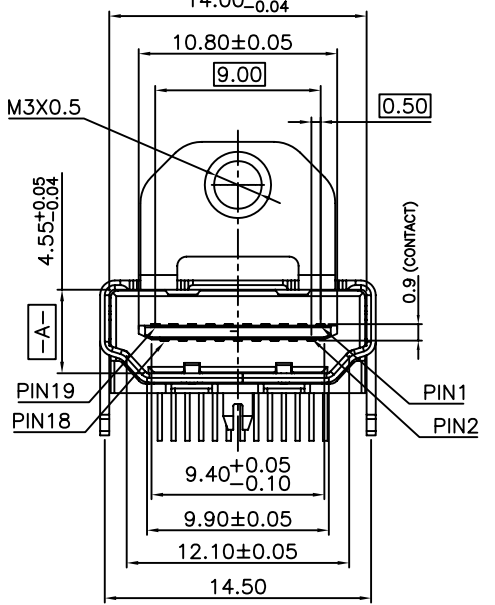
REV	DATE	DESCRIPTION	ECN NO.	NAME
A	08.12.30	NEW RELEASE		HEHONG
B	09.05.12	△ MODIFY DESIGN TYPE	CECRO9004288	LIZM

A
B
C
D
E

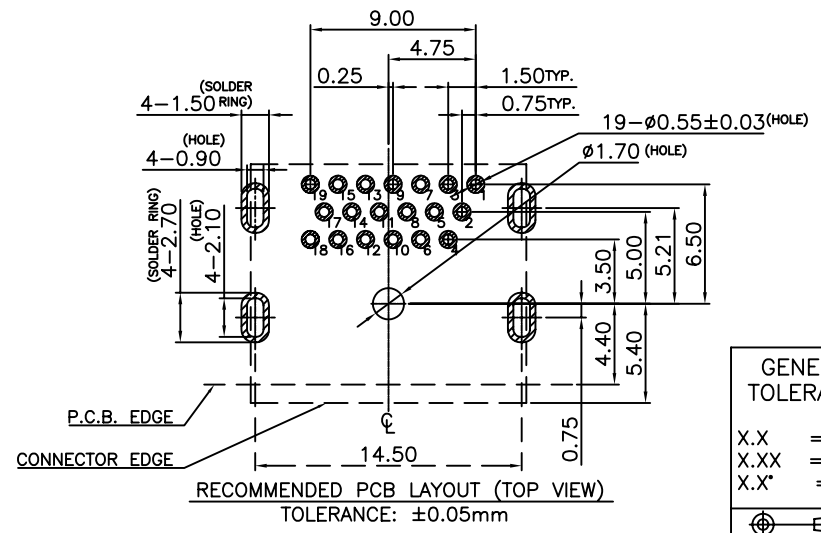
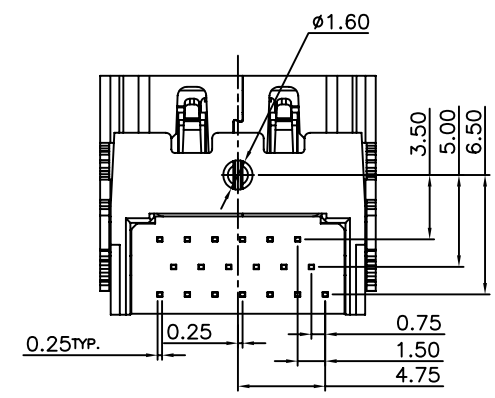


NOTE:

- 1.MATERIAL:
 TERMINAL : COPPER ALLOY .
 SHELL : COPPER ALLOY .
 HOUSING : HIGH TEMPERATURE PLASTIC (UL94-0),BLACK.
 BACK HOUSING : HIGH TEMPERATURE PLASTIC (UL94-0),BLACK.
- 2.PLATING:
 TERMINAL :SELECTIVE Au PLATED ON CONTACT AREA (SEE ORDER INFORMATION),Sn PLATED ON SOLDER TAIL AREA, Ni UNDERPLATED OVERALL.
 SHELL : WELDABLE Ni OVERALL.
- △ 3.HALOGEN FREE
- 4.PACKING :SEE ORDER INFORMATION.
- 5.ORDER INFORMATION : G3168-28 $\frac{**}{1} \frac{**}{2} \frac{**}{3} -H0 \triangle$



- ① { 00:W/O LOGO TAPE&REEL
 01:W/ LOGO TAPE& REEL
 02 :W/O LOGO TRAY
 03 :W/ LOGO TRAY
- ② { 01 : TERMINAL DIP LENGTH 2.6mm.
 02 : TERMINAL DIP LENGTH 2.2mm.
- ③ { 01 : 3u"Au ON CONTACT AREA
 02 : 15u"Au ON CONTACT AREA
 03 : 30u"Au ON CONTACT AREA



GENERAL TOLERANCE		WIESON TECHNOLOGIES CO., LTD WIESON	PART NO.:	
X.X	=±0.20		DRAWN BY	hehong
X.XX	=±0.10	CHECKED BY	KEVIN	DRAWING NO. G3168-28XXXXX-H0
X.X*	=±3'	APPROVED BY	JERRY	DRAWING SIZE 4 : 1 A4
		UNIT	mm	
		SORTING NO.	WSC	PAGE 1 OF 1

ISSUED