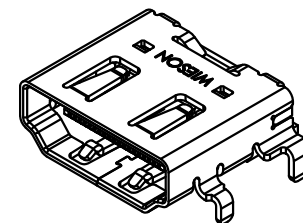
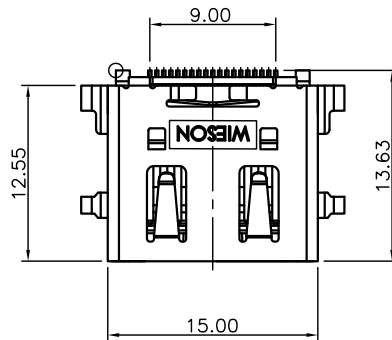


RoHS Compliant

3168-SERIES HDMI MID-MOUNT SMT TYPE

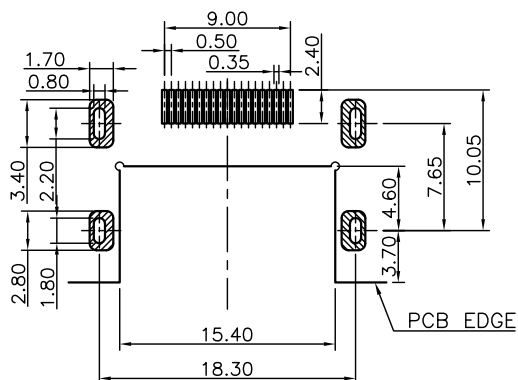
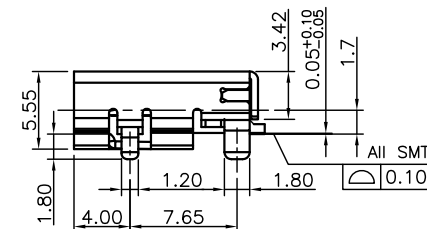
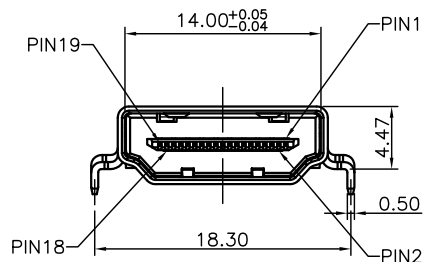
REV	DATE	DESCRIPTION	ECN NO.	NAME
A	17.01.07	PROPOSAL		SKY
A1	17.05.10	△ CHANGE THE MATERIAL	ECR1752151	XBIAO
B	17.07.24	NEW RELEASE		XBIAO

- A** NOTE :
- MATERIAL :
 - HOUSING : HIGH TEMPERATURE THERMOPLASTIC (UL94-0),COLOR:BLACK.
 - TERMINAL : COPPER ALLOY
 - SHELL : STAINLESS STEEL △
 - PLATING :
 - TERMINAL: SELECTIVE Au PLATED ON CONTACT AREA (SEE ORDER INFORMATION),
Sn PLATED ON SOLDER TAIL AREA,
BOTH OVER Ni UNDERPLATED OVERALL.
 - SHELL: WELDABLE Ni PLATED OVERALL.
 - PACKING: T&R
 - RECOMMENDED PCB THICKNESS: 1.2mm
 - ORDER INFORMATION : G3168-7300 XX XX -00



- ① 01: W/O WIESON LOGO
02: W/ WIESON LOGO

- ② 01 : Au FLASH ON CONTACT AREA
02 : 3u" Au ON CONTACT AREA
03 : 5u" Au ON CONTACT AREA
04 : 15u" Au ON CONTACT AREA
05 : 30u" Au ON CONTACT AREA



RECOMMENDED PCB LAYOUT (TOP VIEW)
TOLERANCE: ±0.05

GENERAL TOLERANCE		WIESON TECHNOLOGIES CO., LTD		PART NO.: G3168-7300XXXX-00	
X.X	=±0.20	DRAWN BY	SKY	DRAWING NO.	G3168-7300XXXX-00
X.XX	=±0.15	CHECKED BY		DRAWING SIZE	2 : 1 A4
X.X*	=±3°	APPROVED BY		UNIT	mm
④		SORTING NO.	WSC	PAGE	1 OF 1