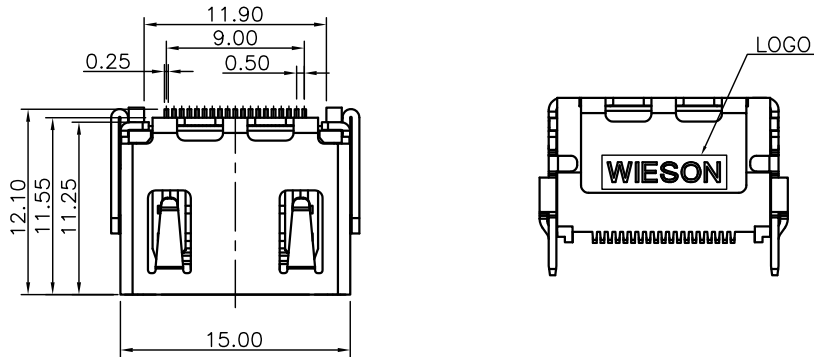


RoHS Compliant

3168-SERIES HDMI HIGH RAISE SMT TYPE

REV	DATE	DESCRIPTION	ECN NO.	NAME
A	17.05.16	PROPOSAL		XBIAO

A



NOTE :

1.MATERIAL :

(1)HOUSING : HIGH TEMPERATURE THERMOPLASTIC (UL94-0),COLOR:BLACK.

(2)TERMINAL : COPPER ALLOY

(3)SHELL : STAINLESS STEEL

2.PLATING :

(1)TERMINAL: SELECTIVE Au PLATED ON CONTACT AREA
(SEE ORDER INFORMATION),
Sn PLATED ON SOLDER TAIL AREA,
BOTH OVER Ni UNDERPLATED OVERALL.

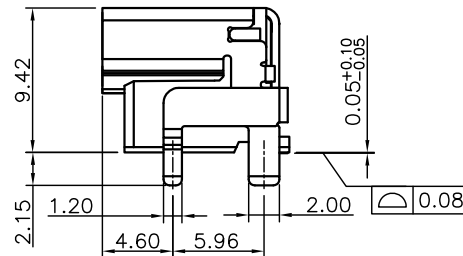
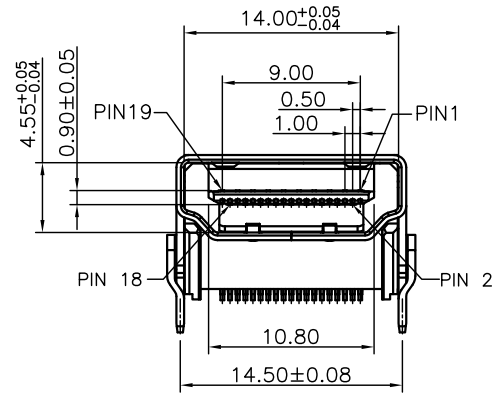
(2)SHELL: WELDABLE Ni PLATED OVERALL.

3.PACKING: T&R

4.RECOMMENDED PCB THICKNESS: 1.2mm

5.ORDER INFORMATION : G3168-7500 XX XX -00

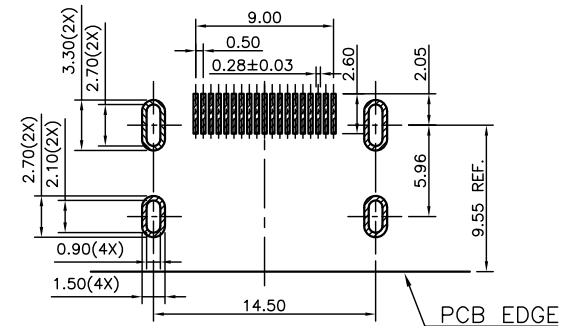
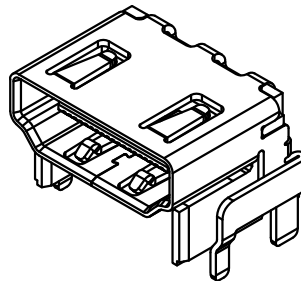
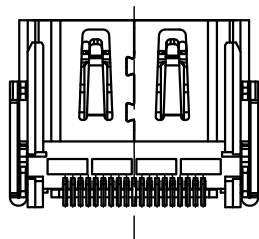
B



- ① 00: W/O WIESON LOGO
- 01: W/ WIESON LOGO

- ② 01 : Au FLASH ON CONTACT AREA
- 02 : 3u" Au ON CONTACT AREA
- 03 : 5u" Au ON CONTACT AREA
- 04 : 15u" Au ON CONTACT AREA
- 05 : 30u" Au ON CONTACT AREA

C



RECOMMENDED PCB LAYOUT (TOP VIEW)
TOLERANCE: ±0.05

E

GENERAL TOLERANCE	WIESON TECHNOLOGIES CO., LTD	PART NO.: G3168-7500XXXX-00	
X.X = ±0.20	WIESON	DRAWN BY XBIAO	DRAWING NO. G3168Z-7500XXX-00
X.XX = ±0.15		CHECKED BY SKY	DRAWING SIZE 2 : 1 A4
X.X' = ±3'		APPROVED BY JIM	UNIT mm
④		SORTING NO. WSC	PAGE 1 OF 1