

RoHS Compliant

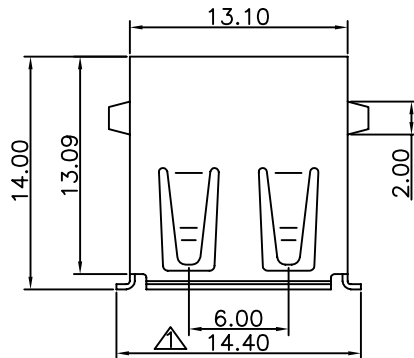
FOR REFERENCE ONLY

REV	DATE	DESCRIPTION	ECN NO.	NAME
A	11.07.19	PROPOSAL		Tting
A1	12.01.06	△ MODIFY		LXS
A2	12.02.08	△ MODIFY		LXS

FEMALE USB-A, DIP TYPE

MATERIAL:

HOUSING: SEE ORDER INFORMATION(UL94V-0)
 HOUSING: SEE ORDER INFORMATION
 TERMINAL: COPPER ALLOY
 TERMINAL PLATING: SEE ORDER INFORMATION
 SHELL: SEE ORDER INFORMATION
 SHELL PLATING: SEE ORDER INFORMATION

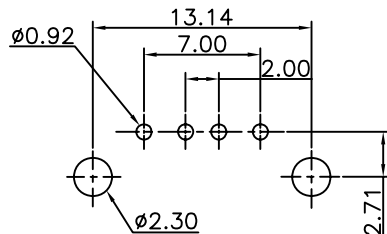
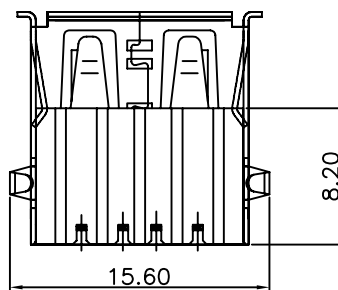
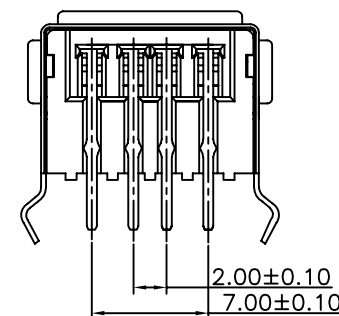
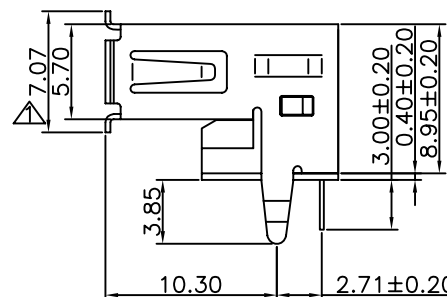
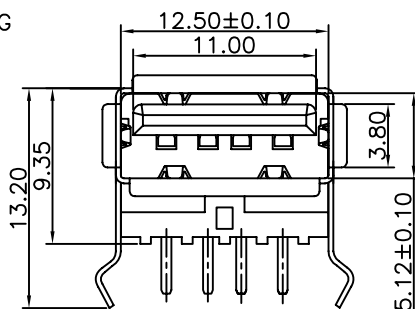


ORDER INFORMATION
 G3505-22** ** *-00

HOUSING MATERIAL&COLOR
 00: PBT, BLACK
 01: PBT, WHITE
 02: LCP, BLACK

SHELL MATERIAL&PLATING
 00: BRASS, Ni PLATED
 01: BRASS, Au PLATED

TERMINAL PLATING
 01: GOLD FLASH
 02: 3u" Au
 03: 5u" Au
 04: 15u" Au
 05: 20u" Au
 06: 30u" Au



RECOMMENDED P.C. BOARD HOLE LAYOUT

NOTE: P.C.B LAYOUT TOLERANCE: ±0.05mm

GENERAL TOLERANCE ±0.25mm GENERAL ANGLE TOLERANCE ±3'	WIESON TECHNOLOGIES CO., LTD WIESON		PART NO.: G3505-22*****-00	
	DRAWN BY	Tting(WSC)	DRAWING NO.	G3505-22*****-00
	CHECKED BY	Wstian	DRAWING SIZE	A4
	APPROVED BY	Jinkens	UNIT	mm
☉	SORTING NO.	CA0161(WSC)	PAGE	1 OF 2

REFERENCE

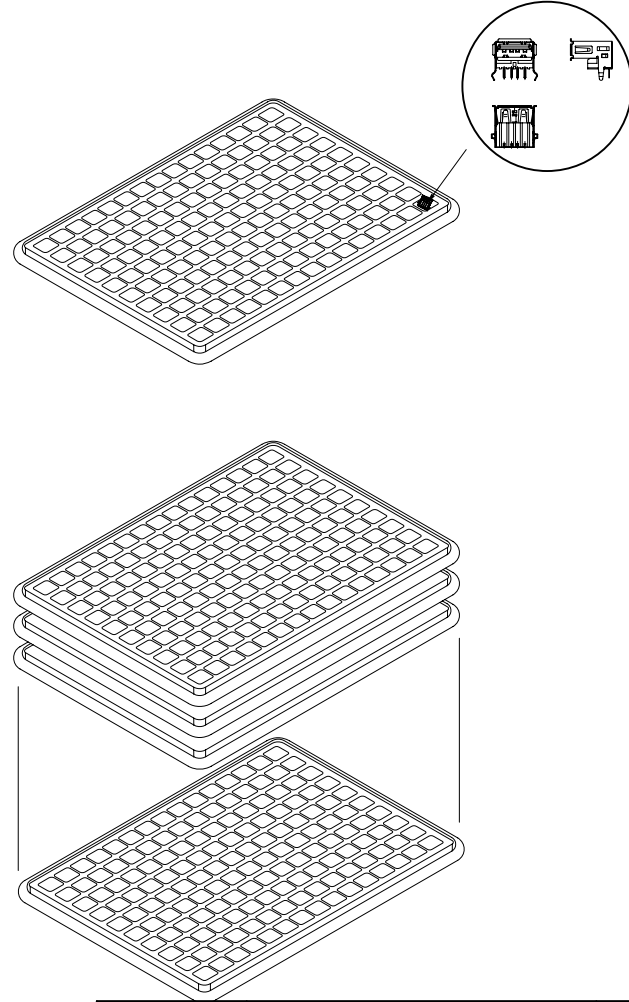
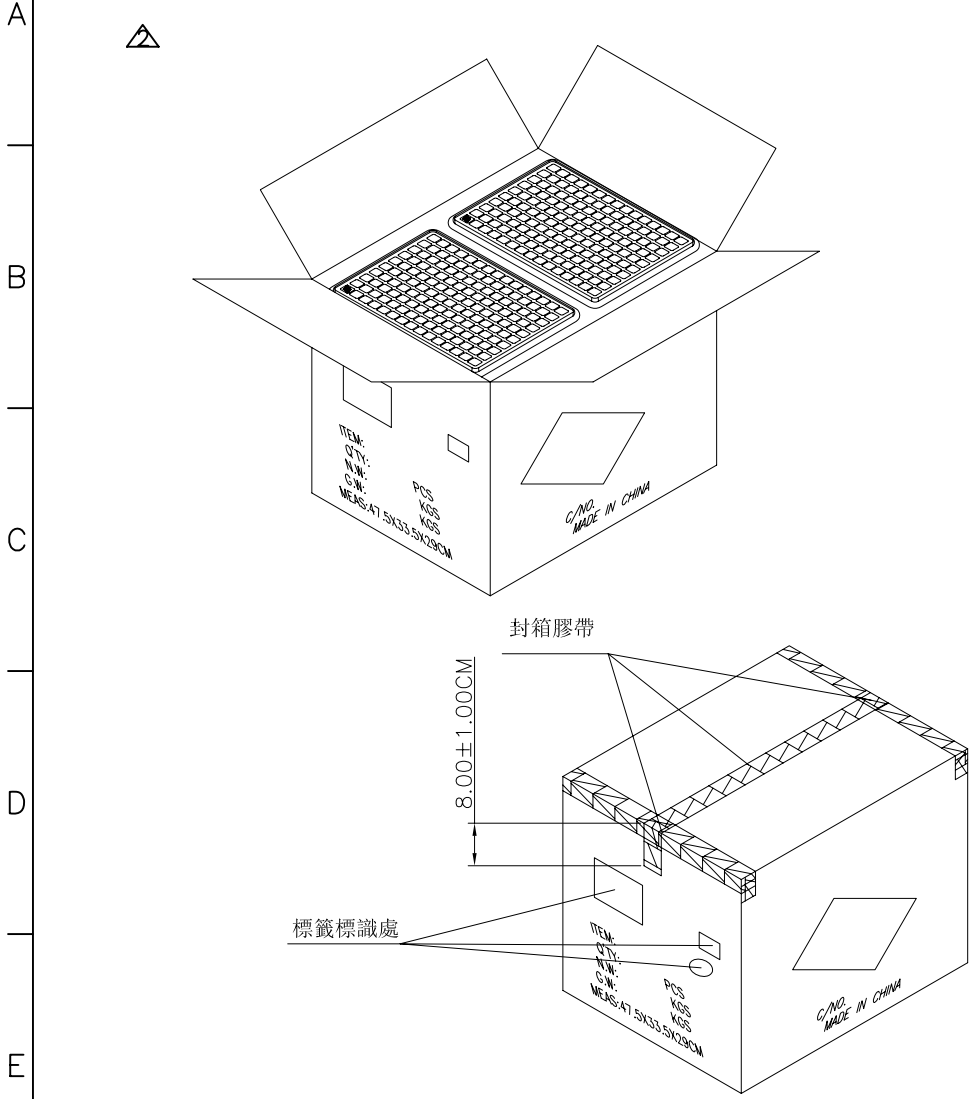
[ARTICLE:044033 V6]

RoHS Compliant

FOR REFERENCE ONLY

FEMALE USB-A, DIP TYPE

REV	DATE	DESCRIPTION	ECN NO.	NAME
A	11.07.19	PROPOSAL		TTing
A1	12.01.06	△ MODIFY		LXS
A2	12.02.08	△ MODIFY		LXS



NOTE: 1.150PCS/TRAY,6000PCS/CARTON

GENERAL TOLERANCE ± 0.25mm	WIESON TECHNOLOGIES CO., LTD WIESON		PART NO.: G3505-22*****-00	
	DRAWN BY	TTing(WSC)	DRAWING NO.	G3505-22*****-00
GENERAL ANGLE TOLERANCE ± 3°	CHECKED BY	Wstian	DRAWING SIZE	A4
⊕	APPROVED BY	Jinkens	UNIT	mm
	SORTING NO.	CA0161(WSC)	PAGE	2 OF 2

REFERENCE

[ARTICLE:044033 V6]