

**RoHS Compliant**

**3505 SERIES USB-A CONN. DIP TYPE**

REV	DATE	DESCRIPTION	ECN NO.	NAME
A	16.07.04	PROPOSAL		HHuan

**MATERIAL:**

HOUSING: SEE ORDER INFORMATION(UL94V-0)  
 HOUSING COLOR: SEE ORDER INFORMATION  
 TERMINAL: PHOSPHOR BRONZE  
 TERMINAL PLATING: SELECTIVE Au IN CONTACT AREA, 100u"  
 min. Sn IN SOLDER TAIL AREA, BOTH  
 OVER 30u" min. Ni UNDERPLATED  
 OVERALL

SHELL: BRASS  
 SHELL PLATING: Ni PLATED

ORDER INFORMATION  
 G3505-26 \* \* \* \* -\*\*

**HOUSING MATERIAL:**

- 0: PBT
- 1: PA9T
- 2: LCP

00:RoHS COMPLIANT  
 H0:HALOGEN FREE COMPLIANT

**HOUSING COLOR:**

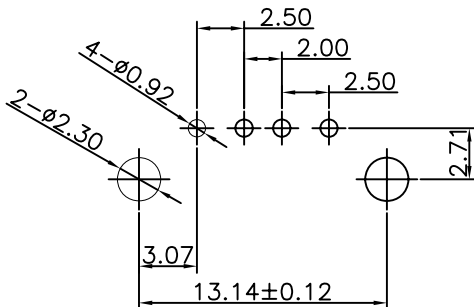
- 0: BLACK
- 1: WHITE
- 2: NATURE

**OPTION**

- 00: A TYPE
- 01: B TYPE

**TERMINAL PLATING**

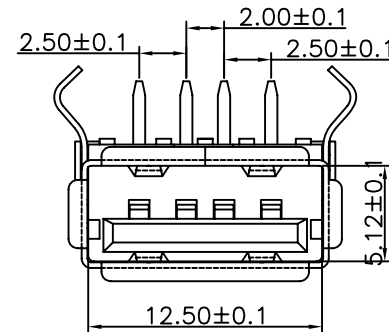
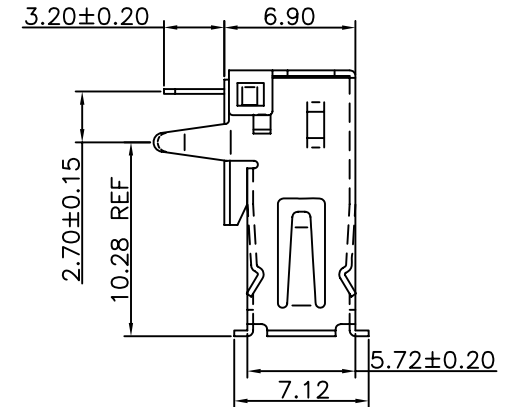
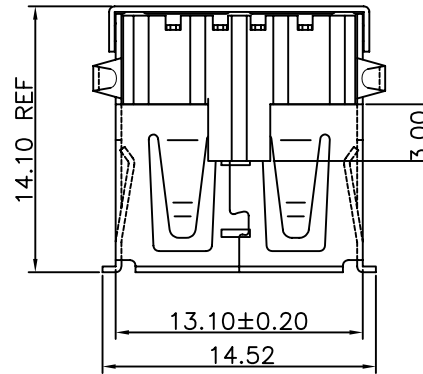
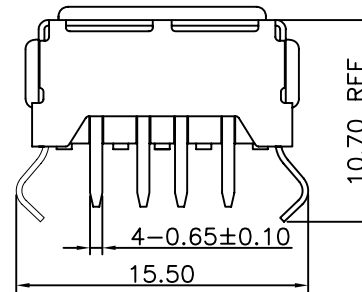
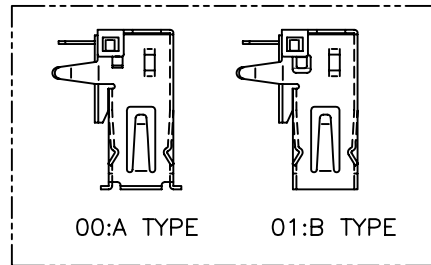
- 01: GOLD FLASH
- 02: 30u" min. Au PLATED
- 03: 15u" min. Au PLATED



**RECOMMENDED P.C. BOARD HOLE LAYOUT**

NOTE: P.C.B LAYOUT TOLERANCE: ±0.05mm

**OPTION:**



GENERAL TOLERANCE ± 0.25mm GENERAL ANGLE TOLERANCE ± 3°	WIESON TECHNOLOGIES CO., LTD WIESON		PART NO.: G3505-26XXXXXX-XX	
	DRAWN BY HHuan(WSC)	CHECKED BY JINKENS	DRAWING NO. G3505-26XXXXXX-XX	DRAWING SIZE A4
	APPROVED BY JINKENS	SORTING NO. CA0161(WSC)	UNIT mm	PAGE 1 OF 1

**PROPOSAL**

[ARTICLE:044033 V6]