

REV	DATE	DESCRIPTION	ECN NO.	NAME
1.0	09.02.26	NEW RELEASE		HSIEN

3509-SERIES USB 3.0 STANDARD A TYPE

NOTE: 1.MATERIAL:

- HOUSING :HIGH TEMPERATURE PLASTIC, UL94V-0 ;COLOR:BLUE (PANTONE COLOR 300C)
- HOUSING COVER :HIGH TEMPERATURE PLASTIC, UL94V-0 ;COLOR:BLUE (PANTONE COLOR 300C)
- 4PIN TERMINAL : COPPER ALLOY
- 5PIN TERMINAL : COPPER ALLOY
- SHELL : COPPER ALLOY

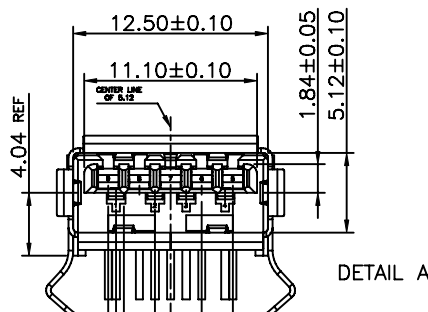
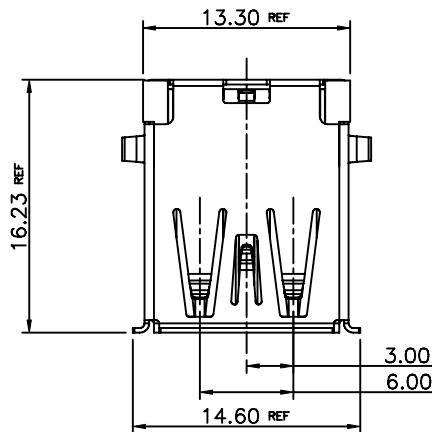
2.PLATING :

TERMINAL : SELECTIVE Au ON CONTACT AREA, Sn PLATED ON SOLDER TAIL AREA (SEE ORDER INFORMATION),BOTH OVER Ni UNDERPLATED OVERALL.

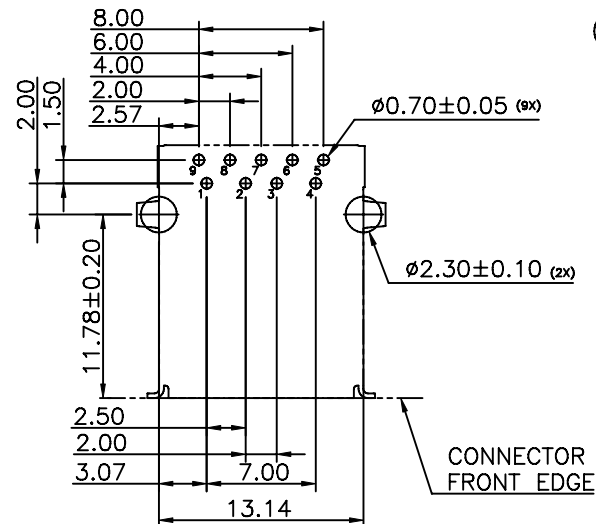
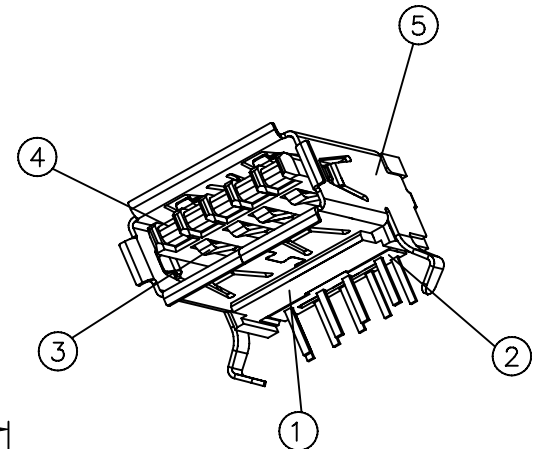
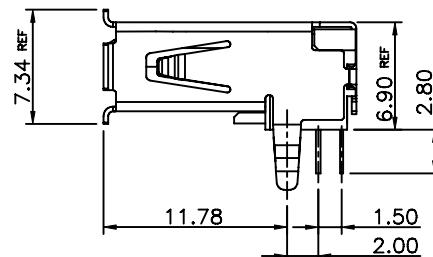
SHELL : WELDABLE Ni OVERALL

3.ORDER INFORMATION : G3509-010000 XX -H0

01 : 3u"
02 : 15u"



1.00±0.05 (4x)	2.00±0.05 (2x)
1.00±0.05 (2x)	4.00±0.05 (2x)
3.50±0.05 (2x)	



RECOMMENDED PCB LAYOUT (±0.05)

ITEM	NAME
⑤	SHELL
④	TERMINAL-5PIN
③	TERMINAL-4PIN
②	HOUSING COVER
①	HOUSING

GENERAL TOLERANCE	WIESON TECHNOLOGIES CO., LTD WIESON	PART NO.: G3509-010000XX-H0	
		DRAWN BY	HSIEN
X.X = ±0.20	CHECKED BY	DRAWING NO.	G3509-010000XX-H0
X.XX = ±0.10	APPROVED BY	DRAWING SIZE	2:1 A4
X.X° = ±3°	SORTING NO.	UNIT	mm
		PAGE	1 OF 1