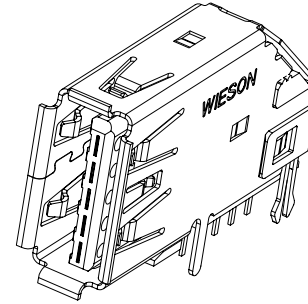


**RoHS Compliant**

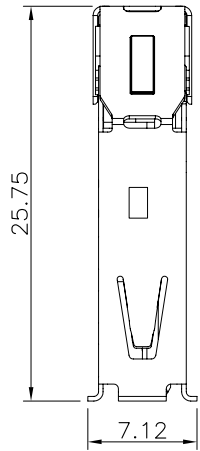
REV	DATE	DESCRIPTION	ECN NO.	NAME
A	12.10.17	PROPOSAL		VINCENT

# 3509 SERIES USB 3.0 UPRIGHT A JACK

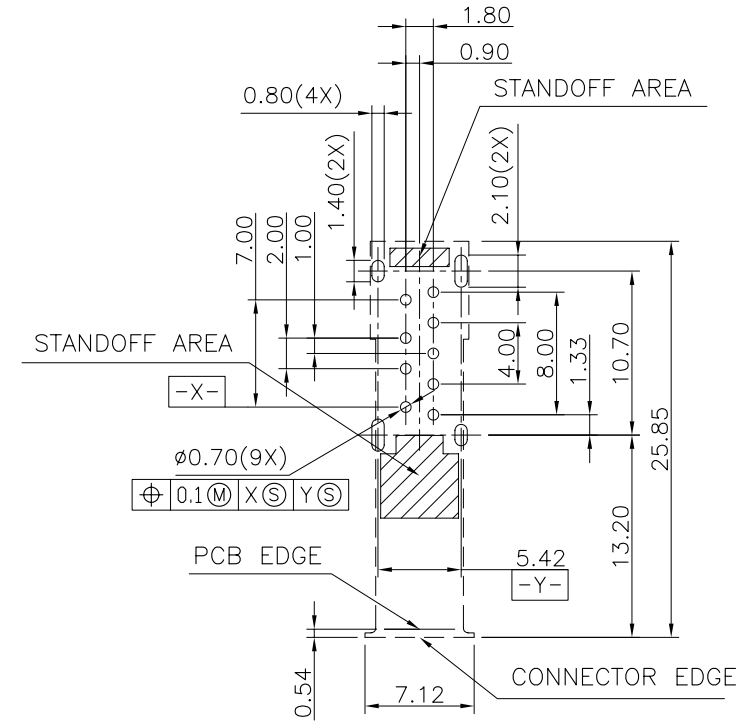
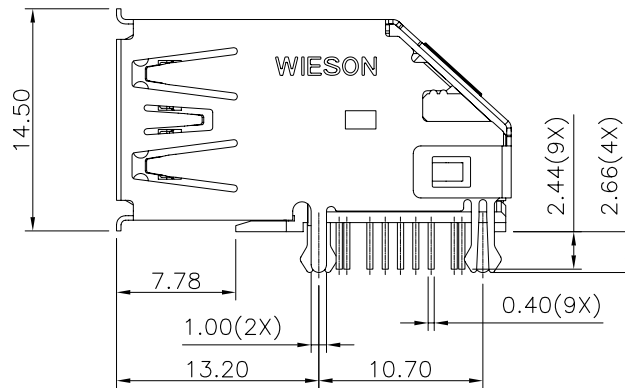
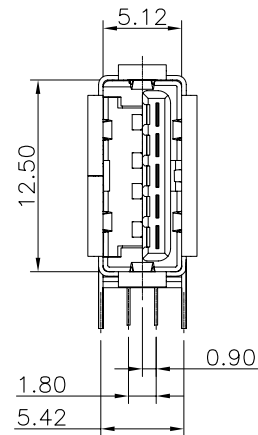


**NOTES:**

- 1.MATERIAL :  
 TERMINAL : COPPER ALLOY  
 SHELL : COPPER ALLOY  
 HOUSING : HIGH TEMPERATURE PLASTIC, UL94V-0, COLOR : BLUE.
- 2.PLATING :  
 TERMINAL : Au ON CONTACT AREA,  
 100u" MIN. Sn ON SOLDER TAIL AREA,  
 BOTH OVER 50u" MIN. Ni UNDERPLATED OVERALL.  
 SHELL : WELDABLE Ni PLATED OVERALL,
- 3.PACKING : TRAY
- 4.ORDER INFORMATION : G3509-08 XX 00 XX -00



- ① [ 00: W/ LOGO  
01: W/O LOGO ]      ② [ 01: 1u" Au PLATED ON CONTACT AREA  
02: 5u" Au PLATED ON CONTACT AREA  
03: 15u" Au PLATED ON CONTACT AREA  
04: 30u" Au PLATED ON CONTACT AREA ]



**RECOMMENDED PCB LAYOUT**  
 T=1.6mm, TOLERANCE: ±0.05mm

GENERAL TOLERANCE	WIESON TECHNOLOGIES CO., LTD	PART NO.: G3509-08XX00XX-00	
X.X = ±0.20	DRAWN BY VINCENT(WST)	DRAWING NO.	G3509-08XX00XX-00
X.XX = ±0.15	CHECKED BY HSIEN	DRAWING SIZE	2 : 1 A4
X.X* = ±3°	APPROVED BY FRED LEE	UNIT	mm
	SORTING NO. (WST)	PAGE	1 OF 1