

RoHS Compliant

3510 USB-A FEMLAE CONN. DIP TYPE

REV	DATE	DESCRIPTION	NAME
01	10.10.21	NEW RELEASE	ZYUAN

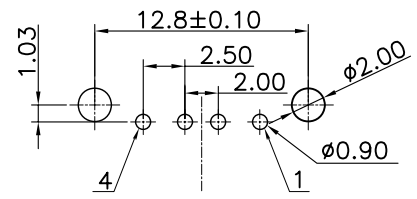
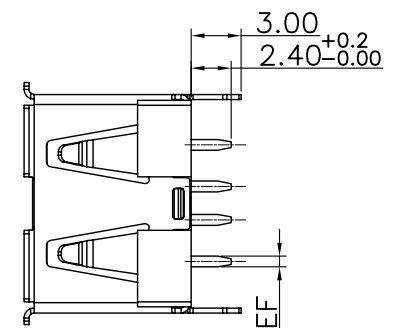
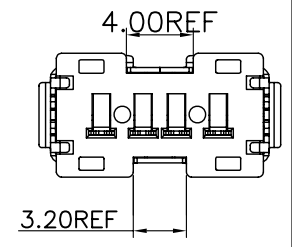
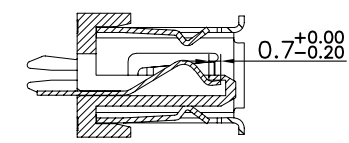
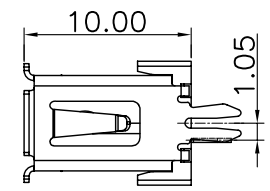
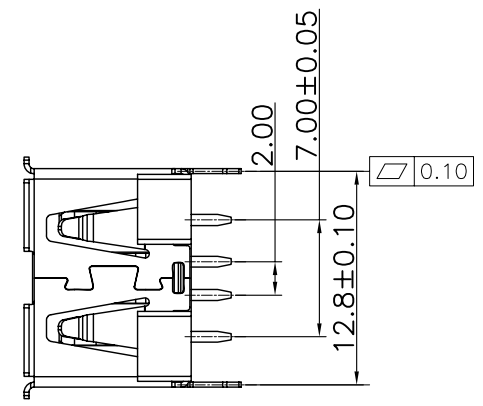
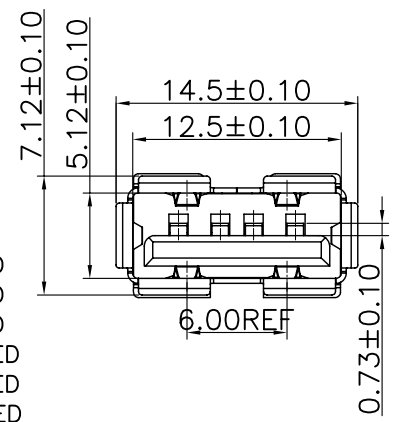
MATERIAL:
 HOUSING:SEE ORDER INFORMATION(UL94V-0)
 HOUSING COLOR:SEE ORDER INFORMATION
 TERMINAL:PHOSPHOR BRONZE
 TERMINAL PLATING:SEE ORDER INFORMATION
 SHELL:SPCC
 SHELL PLATING:SEE ORDER INFORMATION

ORDER INFORMATION
 G3510-04 ** ** *-00

HOUSING MATERIAL&COLOR
 00:PBT BLACK
 01:LCP BLACK

TERMINAL PLATING
 01: 1u" Au PLATED
 02: 3u" Au PLATED
 03: 5u" Au PLATED
 04: 15u" Au PLATED
 05: 20u" Au PLATED
 06: 30u" Au PLATED

SHELL PLATING:
 00: Ni PLATED



RECOMMENDED P.C.BOARD HOLE LAYOUT

NOTE: P.C.B LAYOUT TOLERANCE: ±0.05mm

GENERAL TOLERANCE ±0.25mm GENERAL ANGLE TOLERANCE ±3°	WIESON TECHNOLOGIES CO., LTD WIESON		PART NO.: G3510-04*****-00	
	DRAWN BY	ZYUAN(WSC)	DRAWING NO.	G3510-04*****-00
	CHECKED BY	KEVIN	DRAWING SIZE	A4
	APPROVED BY	JERRY	UNIT	mm
☉	SORTING NO.	CA0161(WSC)	PAGE	1 OF 1

REFERENCE

[ARTICLE:044033 V4]