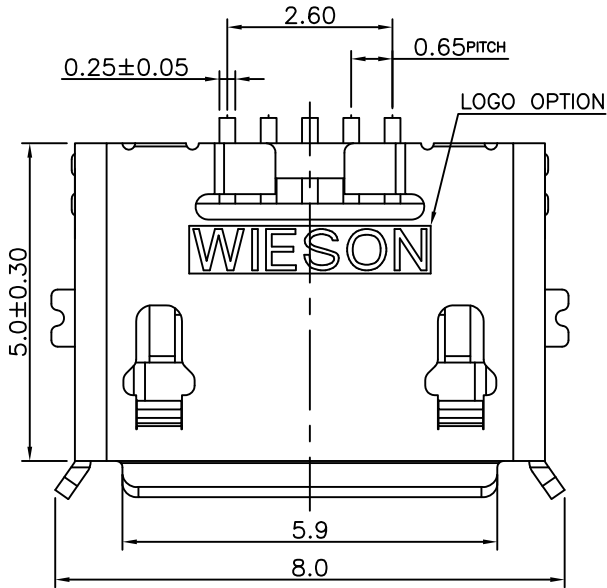


**HF Compliant**

# 3515-SERIES MICRO USB STAND-OFF 1.8mm SMT TYPE

REV	DATE	DESCRIPTION	ECN NO.	NAME
1.0	10.08.16	NEW RELEASE		Allen
1.1	10.08.27	△CHANGE DIMENSION		Allen
A	11.06.01	NEW RELEASE		sky
B	13.07.18	△CHANGE DRAWING	CECR13007693	YAI



**NOTE**

**1.MATERIAL**

HOUSING : THERMOPLASTIC(UL94V-0),BLACK.  
 TERMINAL : COPPER ALLOY.  
 SHELL : STAINLESS STEEL.

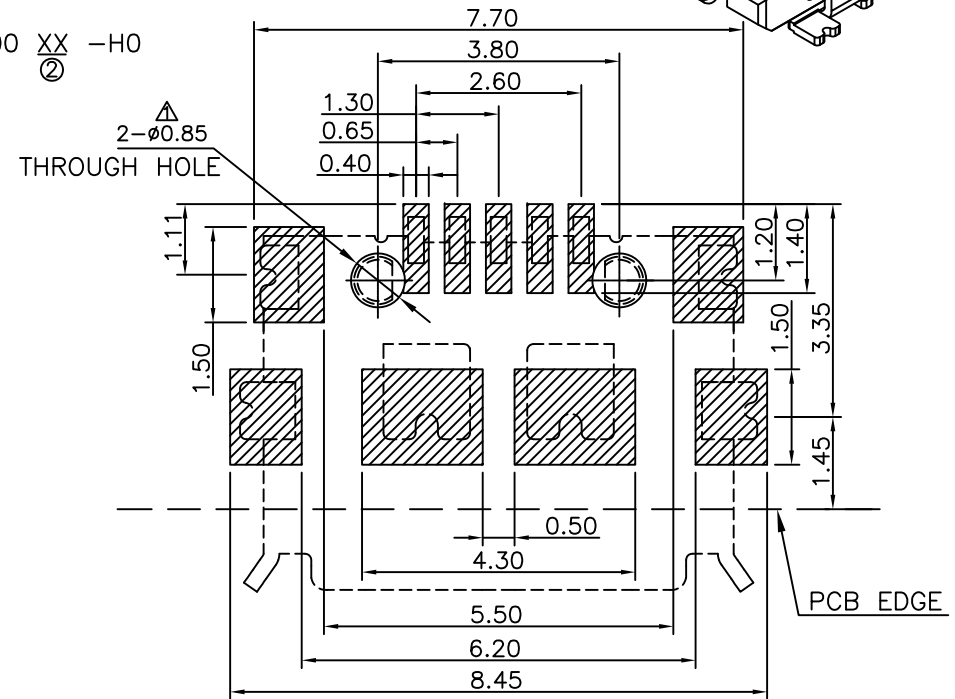
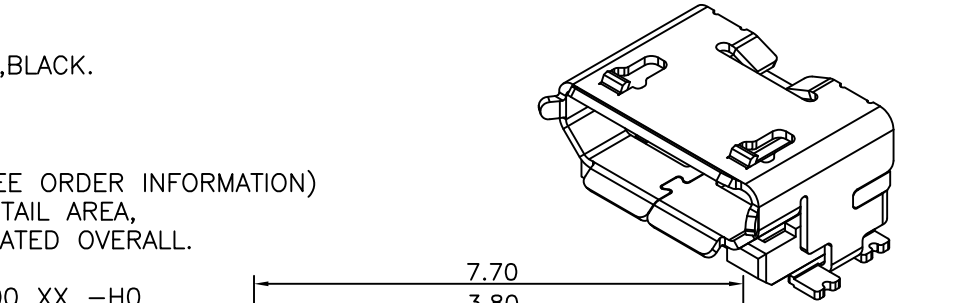
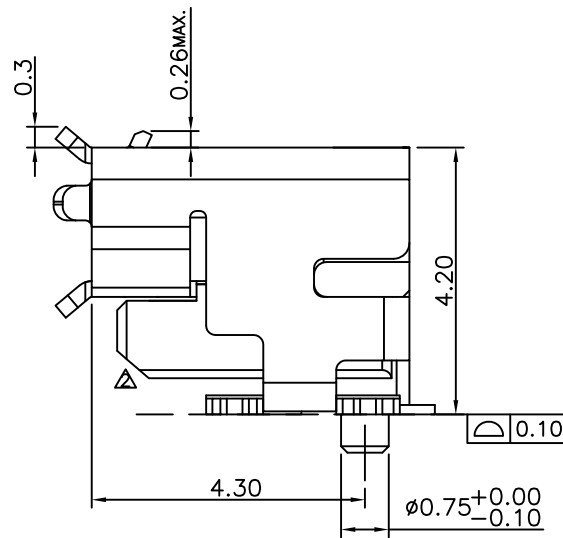
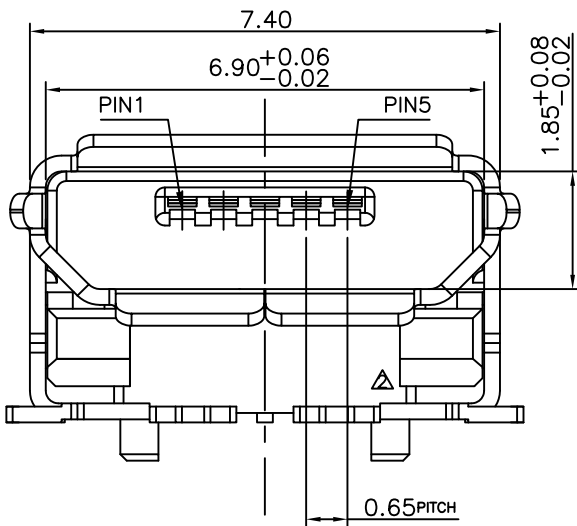
**2.PLATING**

TERMINAL : Au ON CONTACT AREA,(SEE ORDER INFORMATION)  
 Sn PLATED ON SOLDER TAIL AREA,  
 BOTH OVER Ni UNDERPLATED OVERALL.

SHELL : WELDABLE Ni OVERALL

**3.ORDER INFORMATION : G3515-39 XX 00 XX -H0**

- ① { 00 : W/O LOGO  
01 : W/ LOGO
- ② { 01 : 3u"Au ON CONTACT AREA  
02 : 15u"Au ON CONTACT AREA  
03 : 30u"Au ON CONTACT AREA



RECOMMENDED PCB LAYOUT (TOP VIEW)

TOLERANCE: ±0.05mm

GENERAL TOLERANCE X.X = ±0.20 X.XX = ±0.15 X.X* = ±3°	WIESON TECHNOLOGIES CO., LTD WIESON		PART NO.: G3515-39XX00XX-H0	
	DRAWN BY	Allen Sun (WST)	DRAWING NO.	G3515-39XX00XX-H0
	CHECKED BY	JACK	DRAWING SIZE	8 : 1 A4
	APPROVED BY	JACK	UNIT	mm
	SORTING NO. (WSC)	PAGE	1 OF 1	