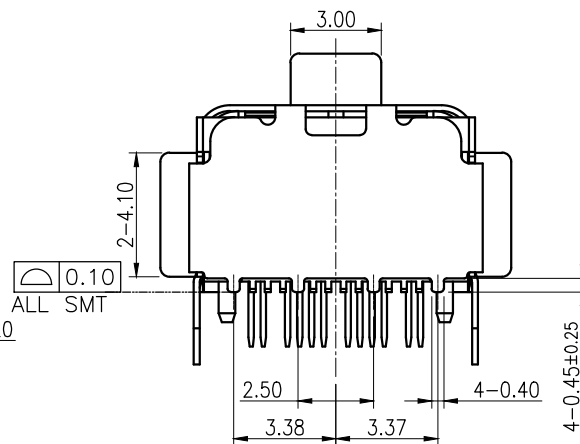
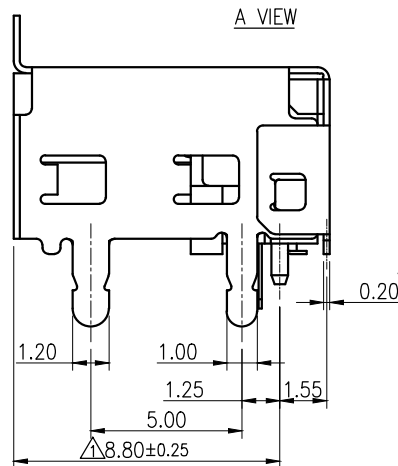
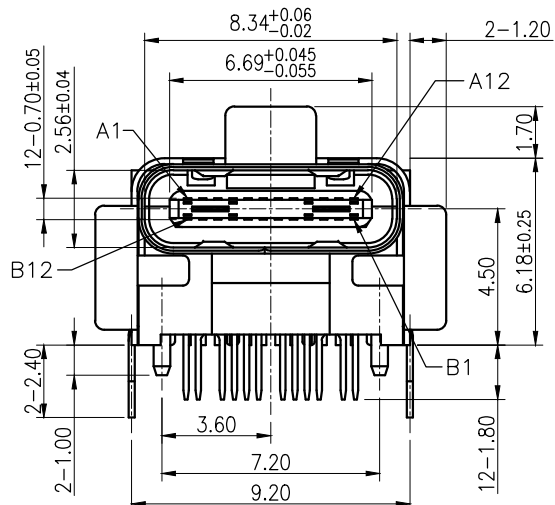
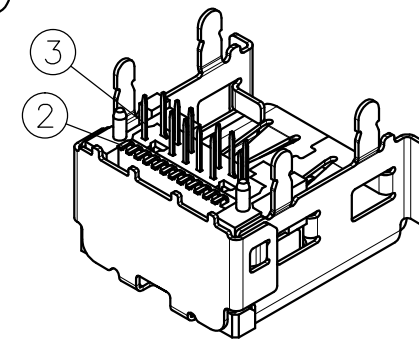
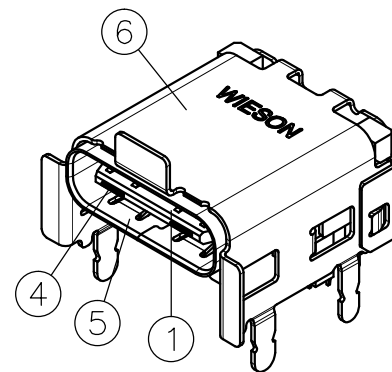
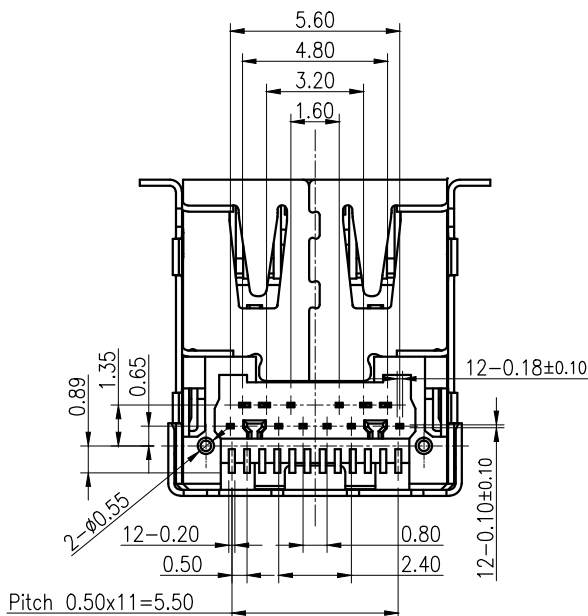
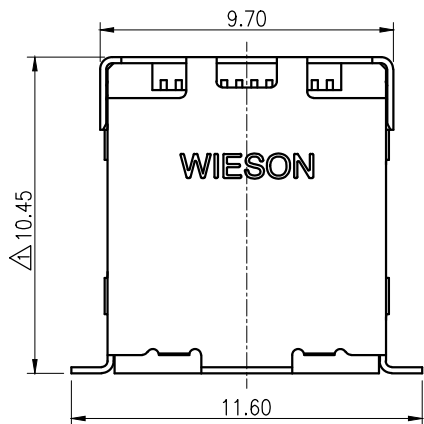


RoHS Compliant

G3518 SERIES USB TYPE-C HYBRID RIGHT ANGLE RECEPTACLE

REV	DATE	DESCRIPTION	ECN NO.	NAME
A	15.10.19	原始版本		PATRICK
A1	15.12.25	△REDUCE LENGTH	ECN15C1383	PATRICK
A2	16.06.20	△MOLDIFY PLATING	ECN1662646	PATRICK

A
B
C
D
E



6	OUTER SHELL
5	INNER SHELL
4	MID-PLATE
3	LOWER TERMINAL
2	UPPER TERMINAL
1	HOUSING

GENERAL TOLERANCE	WIESON TECHNOLOGIES CO., LTD	PART NO.: G3518-060000XX-00				
		DRAWN BY	PATRICK	DRAWING NO.	G3518-060000XX-00	
X.X	=±0.20	CHECKED BY	HSIEN	DRAWING SIZE	4 : 1	A4
X.XX	=±0.15	APPROVED BY		UNIT	mm	
X.X'	=±3'	SORTING NO.	WST	PAGE	1 OF 2	

