

RoHS Compliant

3518 SERIES USB-C FEMALE; VERTICAL TYPE

REV	DATE	DESCRIPTION	ECN NO.	NAME
A	18.12.15	PROPOSAL		WCQUAN

MATERIAL:

HOUSING: SEE ORDER INFORMATION(UL94V-0)
 HOUSING COLOR: SEE ORDER INFORMATION
 TERMINAL: COPPER ALLOY
 TERMINAL PLATING: GOLD FLASH IN CONTACT AREA,
 100u" Sn IN SOLDER TAIL AREA,
 BOTH OVER 30u" min Ni UNDER
 PLATED OVERALL

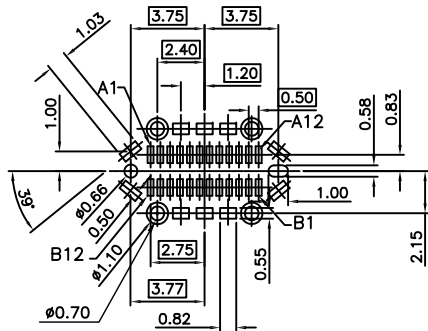
SHELL: STANLESS STEEL
 SHELL PLATING: Ni PLATED

SPECIFICATIONS:

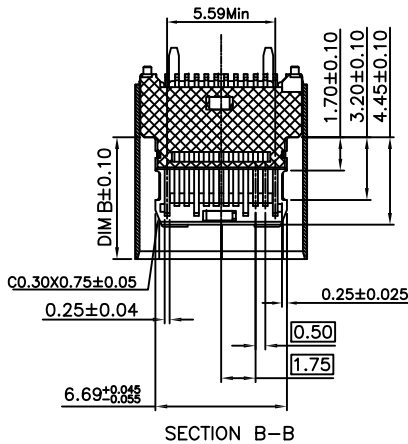
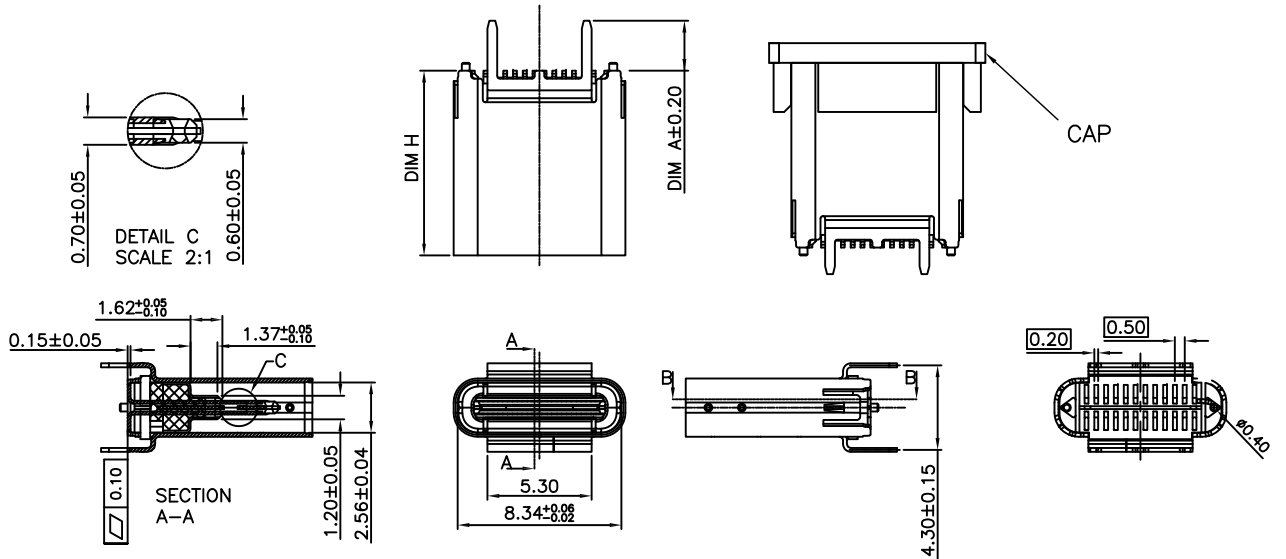
1. MECHANICAL :
 - 1.1 INSERTION FORCE :5N~20N
 - 1.2 WITHDRAWAL FORCE :8N~20N
 AFTER 10,000 CYCLES MATING: 2N MIN.
2. ELECTRICAL :
 - 2.1 CONTACT CURRENT RATING: 5 A .
 - 2.2 VOLTAGE RATING :30V AC (rms)
 - 2.3 WITHSTANDING VOLTAGE: 100 VAC FOR 1 MINUTE.
 INSULATION RESISTANCE: 100 MEGAOHMS MIN.
 - 2.4 CONTACT RESISTANCE: 40 MILLIOHMS MAX.
3. ENVIRONMENTAL :
 - 3.1 OPERATING TEMPERATURE:-55°C TO +85°C

ORDER INFORMATION
 G3518-15 ** ** * -00

HOUSING MATERIAL&COLOR	OPTION(DIM H;A;B):	TERMINAL PLATING
00: LCP; BLACK	00:9.40;2.54;6.20	01: GOLD FLASH
	01:9.40;1.90;6.20	02: 2u" Au
	02:9.40;1.35;6.20	03: 15u" Au
	03:8.20;1.90;5.00	04: 30u" Au
	04:8.20;1.35;5.00	



NOTE: P.C.B LAYOUT TOLERANCE: ±0.05mm



B12	B11	B10	B9	B8	B7	B6	B5	B4	B3	B2	B1
GND	RX1+	RX1-	Vbus	SBU2	D-	D+	CC2	Vbus	TX2-	TX2+	GND
GND	TX1+	TX1-	Vbus	CC1	D+	D-	SBU1	Vbus	RX2-	RX2+	GND
A1	A2	A3	A4	A5	A6	A7	A8	A9	A10	A11	A12

GENERAL TOLERANCE ± 0.25mm	WIESON TECHNOLOGIES CO., LTD		PART NO.: G3518-15*****-00	
	DRAWN BY	WCQUAN(WSC)	DRAWING NO.	G3518-15*****-00
	CHECKED BY	HHuan	DRAWING SIZE	A4
	APPROVED BY	KEN	UNIT	mm
GENERAL ANGLE TOLERANCE ± 3°	SORTING NO.	CA0059(WSC)	PAGE	1 OF 1

OPTION(DIM H; A; B):					
	00	01	02	03	04
DIM H	9.40	9.40	9.40	8.20	8.20
DIM A	2.54	1.90	1.35	1.90	1.35
DIM B	6.20	6.20	6.20	5.00	5.00