

**RoHS Compliant**

6178 SERIES SIM CARD CONN. PUSH PUSH H1.80mm TYPE

NOTES:

- 1.MATERIAL :  
 HOUSING : THERMOPLASTIC(UL94V-0) , BLACK.  
 TERMINAL : COPPER ALLOY.  
 SHELL : STAINLESS STEEL.  
 TERMINAL : COPPER ALLOY.  
 DETECT PIN : COPPER ALLOY .  
 SLIDE : THERMOPLASTIC(UL94V-0) , BLACK.  
 SPRING : STEEL WIRE.  
 SPRING : STAINLESS STEEL.

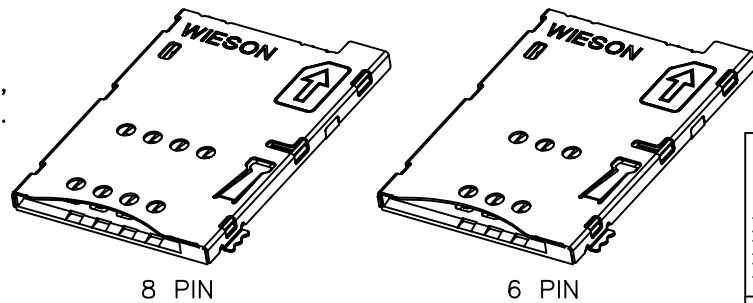
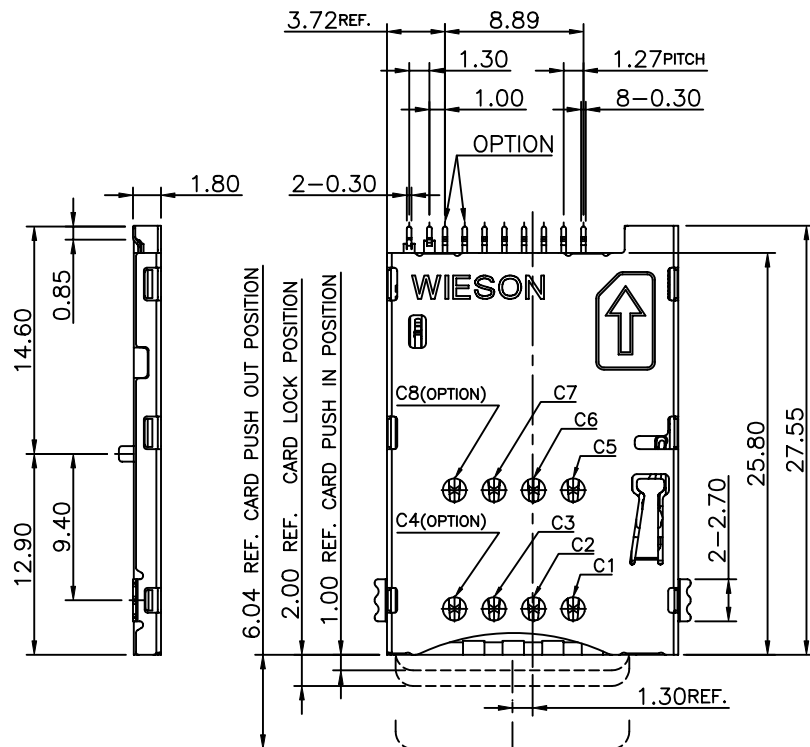
- 2.PLATING :  
 TERMINAL : Au PLATED ON CONTACT AREA  
 (SEE ORDER INFORMATION),  
 100u" Sn PLATED ON SOLDER TAIL AREA,  
 BOTH OVER 50u" Ni UNDERPLATED OVERALL.  
 DETACT PIN : 1u" Au PLATED ON CONTACT AREA,  
 100u" Sn PLATED ON SOLDER TAIL AREA,  
 BOTH OVER 50u" Ni UNDERPLATED OVERALL.  
 SHELL : SOLDERABLE Ni OVERALL.

3.SWITCH OPERATION TYPE : NORMALLY OPEN.

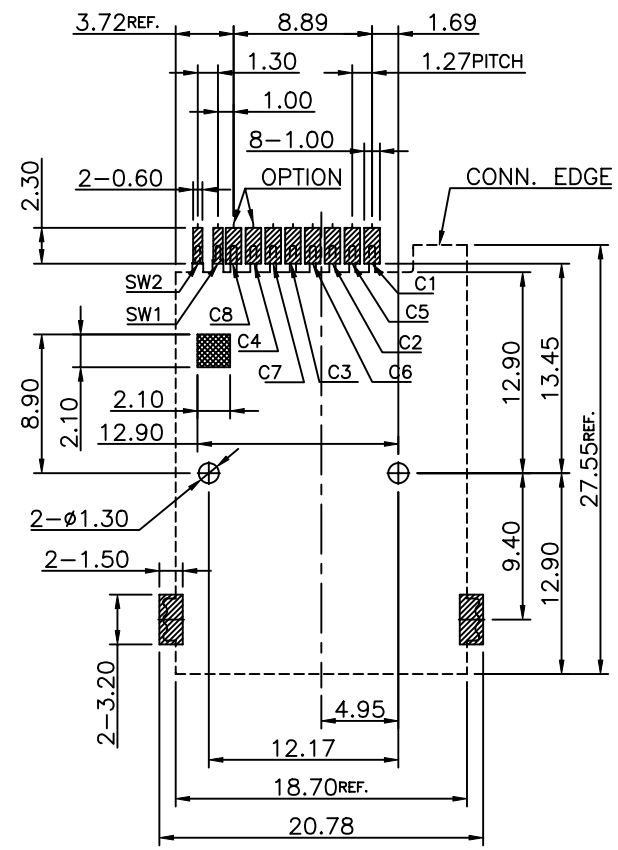
4.PACKING : TAPE&REEL.

5.ORDER INFORMATION : G6178-58 X X XX XX -00

- ① { 0 : 8 PIN  
1 : 6 PIN
- ② { 0 : W/O WIESON LOGO  
1 : W/ WIESON LOGO
- ③ { 00 : W/O POST  
01 : W/ POST
- ④ { 01 : 1u" Au ON CONTACT AREA,  
02 : 3u" Au ON CONTACT AREA,  
03 : 5u" Au ON CONTACT AREA,  
04 : 15u" Au ON CONTACT AREA,  
05 : 30u" Au ON CONTACT AREA.



REV	DATE	DESCRIPTION	ECN NO.	NAME
A	12.12.25	NEW RELEASE		SAM HO
A1	13.04.11	ADD 6PIN TYPE	TECN13002507	SAM HO



▨ PAD    ▩ TRACE & PAD  
 █ KEEP-OUT AREA

RECOMMENDED PCB LAYOUT (TOP VIEW)  
 TOLERANCE: ±0.05mm

GENERAL TOLERANCE		WIESON TECHNOLOGIES CO., LTD WIESON	PART NO.:	
X.X	= ±0.20		DRAWN BY SAM HO (WST)	G6178-58XXXXXX-00
X.XX	= ±0.15	CHECKED BY		DRAWING NO. G6178-58XXXXXX-00
X.X'	= ±3°	APPROVED BY FRED LEE		DRAWING SIZE 2 : 1 A4
⊕		SORTING NO. WSC		UNIT mm
			PAGE	1 OF 1