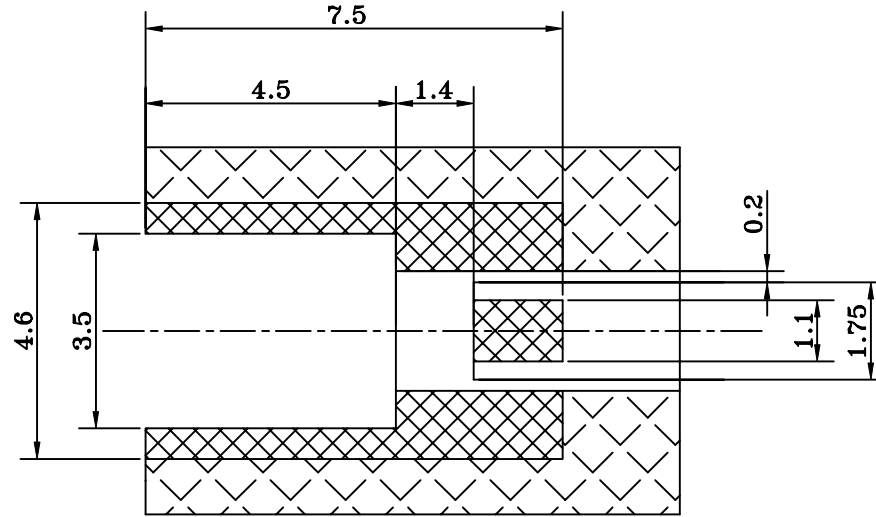
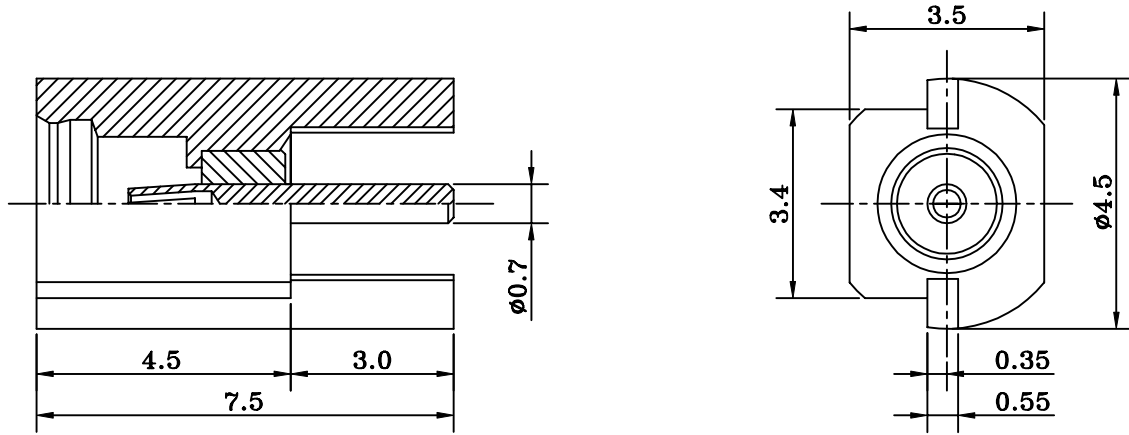


REV	DATE	DESCRIPTION	ECN NO.	NAME
A	06.01.05	NEW RELEASE		James

G7134 SERIES MMCX JACK STR FOR PCB EDGE MOUNT



RECOMMEND PCB MOUNT LAYOUT

3	INSULATOR	TEFLON		1
2	CONDUCTOR	BECU	GOLD 10u"	1
1	BODY	BRASS	GOLD FLASH	1
NO.	NAME	MATERIAL	FINISH	Q'TY

GENERAL TOLERANCE $\pm 0.25 \text{ mm}$ GENERAL ANGLE TOLERANCE $\pm 3^\circ$	WIESON TECHNOLOGIES CO., LTD <small>WIESON</small>		PART NO.: G7134-530200	
	DRAWN BY	James (WST)	DRAWING NO.	G7134-530200
	CHECKED BY	WEN	DRAWING SIZE	A3
	APPROVED BY	LEO	UNIT	mm
	SORTING NO.	TC0015 (WST)	PAGE	1 OF 1

ISSUED