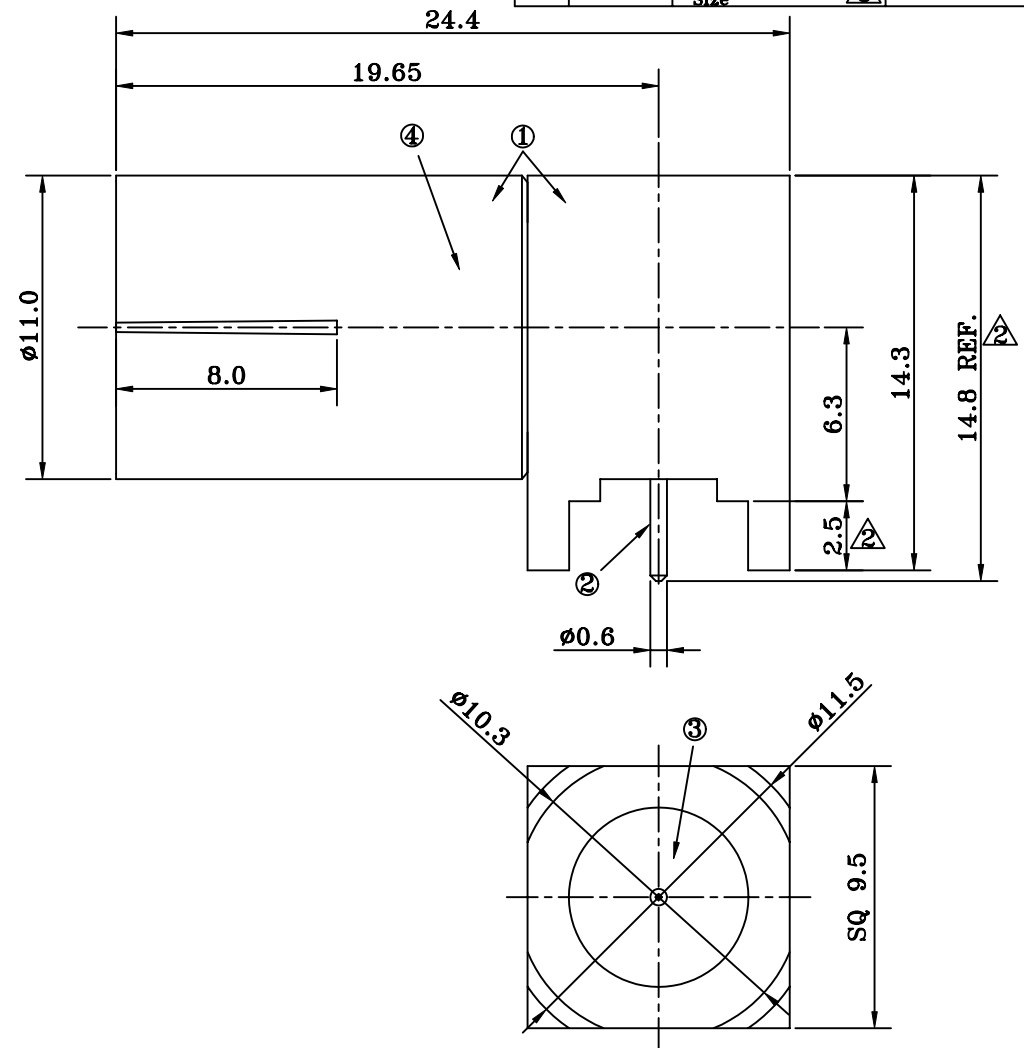
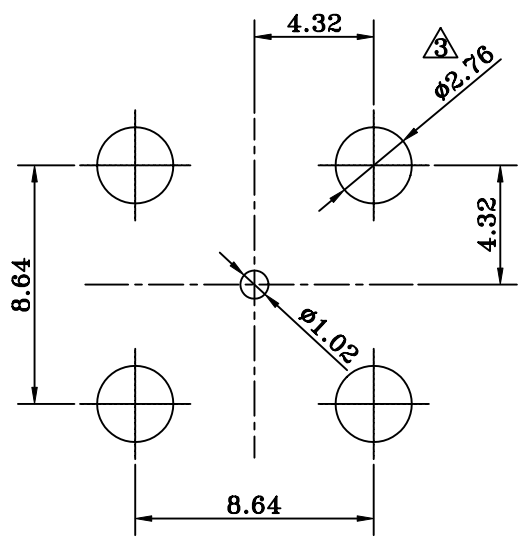


RoHS Compliant

G7184 SERIES PAL JACK R/A FOR PCB MOUNT

REV	DATE	DESCRIPTION	ECN NO.	NAME
A	06.10.02	NEW RELEASE		James
B	07.05.24	Change Sorting NO. & BOM & Tolerance	TECR07001865	James
C	08.02.22	Modify BOM & Size	TECR08002065	James
D	08.06.27	Modify Layout Size	TECR08002139	James

A
B
C
D
E



① ②

4	INSULATOR	TEFLON	WHITE	1
3	INSULATOR	TEFLON	WHITE	1
2	CONDUCTOR	BRASS	NICKEL	1
1	BODY	BRASS	NICKEL	2
NO	DESCRIPTION	MATERIAL	FINISH	Q'TY

GENERAL TOLERANCE	WIESON TECHNOLOGIES CO., LTD	PART NO.: G7184-430312	
		DRAWN BY: James (WST)	DRAWING NO.: G7184-430312
X.X = ±0.30	APPROVED BY: LEO	CHECKED BY: WEN	DRAWING SIZE: A3
X.XX = ±0.20		UNIT: mm	
X.X° = ±3°	SORTING NO.: TC0015 (WST)	PAGE: 1 OF 1	

ISSUED

[ARTICLE:044033 V5]