

RoHS Compliant

2X6PORT RJ45 JACK DIP TYPE WITH 1000M TRANSFORMER

REV	DATE	DESCRIPTION	ECN NO.	NAME
A	14.10.23	PROPOSAL		HHuan

MATERIAL:

- HOUSING: SEE ORDER INFORMATION(UL94V-0)
- HOUSING COLOR: SEE ORDER INFORMATION
- INSERTER: PBT (UL94V-0)
- INSERTER COLOR:BLACK
- TERMINAL: PHOSPHOR BRONZE
- TERMINAL PLATING: SEE ORDER INFORMATION
- SHELL: BRASS
- SHELL PLATING: Ni PLATED

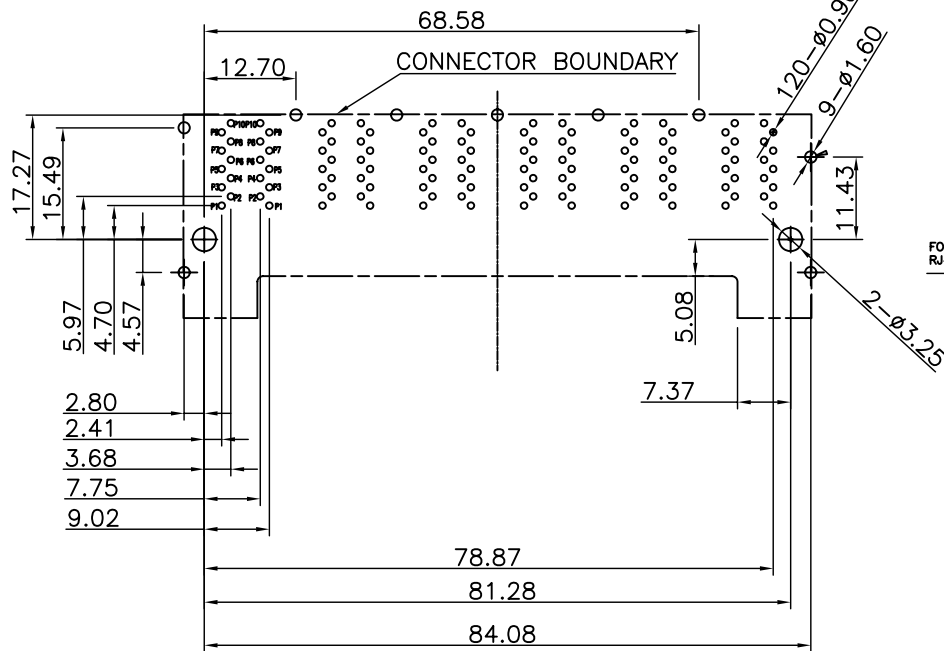
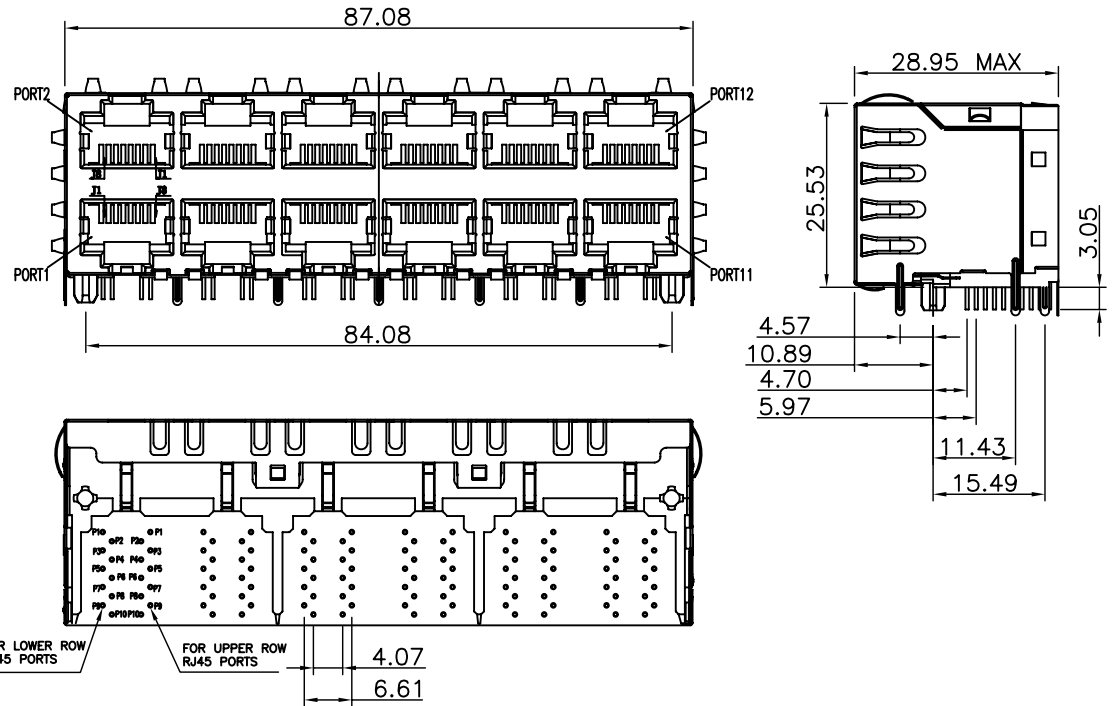
ORDER INFORMATION
G7410-02 ** ** *-00

HOUSING MATERIAL
00: PBT

TERMINAL PLATING

- 01: 6u" Au
- 02: 15u" Au
- 03: 30u" Au
- 04: 50u" Au

LED & SPRING
00: WITHOUT LED, WITH SPRING



RECOMMENDED P.C.BOARD

NOTE: P.C.B LAYOUT TOLERANCE: ±0.05mm

GENERAL TOLERANCE ± 0.25mm GENERAL ANGLE TOLERANCE ± 3°	WIESON TECHNOLOGIES CO., LTD <small>WIESON</small>		PART NO.: G7410-02XXXXXX-00	
	DRAWN BY	HHuan(WSC)	DRAWING NO.	G7410-02XXXXXX-00
	CHECKED BY	JINKENS	DRAWING SIZE	A4
	APPROVED BY	JINKENS	UNIT	mm
	SORTING NO.	CA0192(WSC)	PAGE	1 OF 2

PROPOSAL

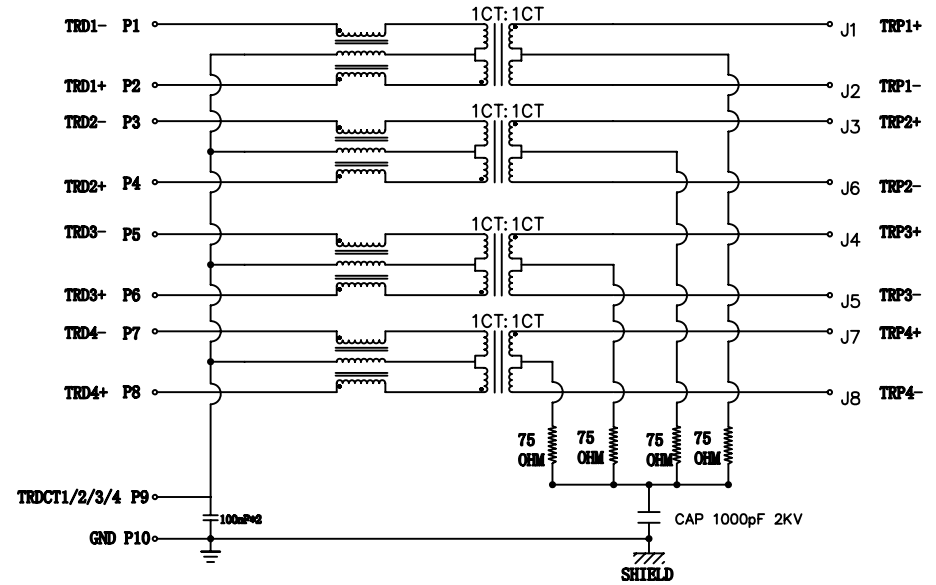
[ARTICLE:044033 V6]

RoHS Compliant

2X6PORT RJ45 JACK DIP TYPE WITH 1000M TRANSFORMER

REV	DATE	DESCRIPTION	ECN NO.	NAME
A	14.10.23	PROPOSAL		HHuan

- 1.0 Turn Ratio @100KHz: (P2~P1):(J1~J2) = 1:1±5%
 (P4~P3):(J3~J6) = 1:1±5%
 (P6~P5):(J4~J5) = 1:1±5%
 (P8~P7):(J7~J8) = 1:1±5%
- 2.0 Primary Inductance: 350uH MIN @100KHZ,0.1V 8mA DC BIAS
- 3.0 DC Resistance: 1.2 OHMS MAX
- 4.0 Insertion Loss: 1-100MHz -1.0dB MIN
 100-125MHz -1.2dB MIN
- 5.0 Return Loss: 1-40MHz -16dB MAX
 40-60MHz -12dB MAX
 60-80MHz -10dB MAX
 80-100MHz -8dB MAX
- 6.0 Cross Talk: 1-100MHz -30dB MAX
- 7.0 COMMON TO COMMON MODE ATTENUATION: 1-100MHz -30dB MIN
- 8.0 Isolation: PHY Side to Line Side: 1200VDC



GENERAL TOLERANCE ± 0.25mm GENERAL ANGLE TOLERANCE ± 3°	WIESON TECHNOLOGIES CO., LTD WIESON		PART NO.: G7410-02XXXXXX-00	
	DRAWN BY	HHuan(WSC)	DRAWING NO.	G7410-02XXXXXX-00
	CHECKED BY	JINKENS	DRAWING SIZE	A4
	APPROVED BY	JINKENS	UNIT	mm
	SORTING NO.	CA0192(WSC)	PAGE	2 OF 2

PROPOSAL

[ARTICLE:044033 V6]