

RoHS Compliant

7412 SERIES MODULAR JACK SINGLE PORT

MATERIAL

HOSING : SEE ORDER INFORMATION(UL94V-0)

HOUSING COLOR: SEE ORDER INFORMATION

TERMINAL: COPPER ALLOY

△ TERMINAL PLATING: SEE ORDER INFORMATION

SELECTIVE Au IN CONTACT AREA, 80u" min. Sn

IN SOLDER TAIL AREA, BOTH OVER 30u" min.

Ni UNDER PLATED OVERALL

SHELL: COPPER ALLOY

SHELL PLATING: Ni PLATED

ORDER INFORMATION

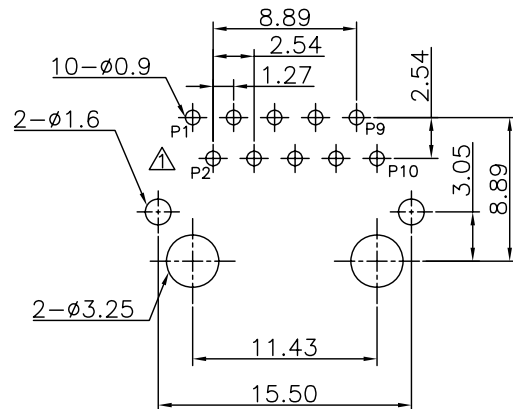
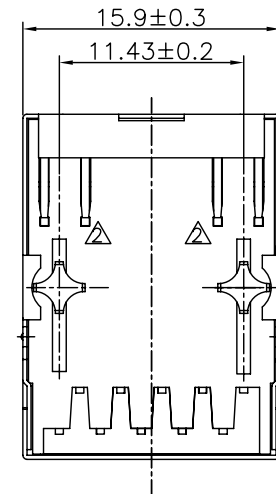
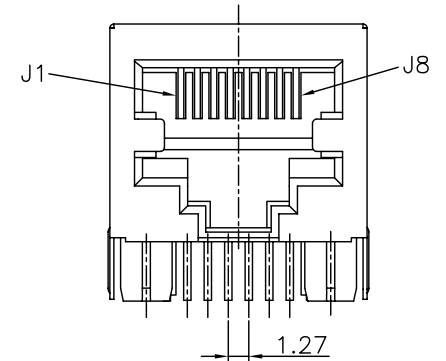
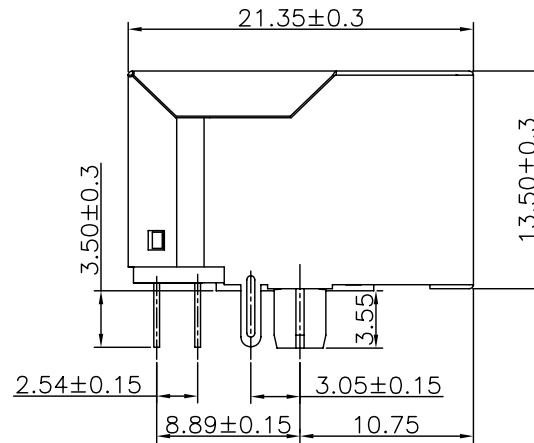
G7412-18 ** ** *

- △ 00: PA46; BLACK
- △ 01: PBT; BLACK

- 01: 1u" Au
- 02: 6u" Au
- 03: 15u" Au
- 04: 30u" Au
- 05: 50u" Au

(SELECTIVE Au)

00: W/O SPRING



RECOMMENDED P.C.BOARD

NOTE: P.C.B LAYOUT TOLERANCE: ±0.05mm

REV	DATE	DESCRIPTION	ECN NO.	NAME
A	07.04.13	PROPOSAL		Amcen
A1	11.04.01	△ MODIFY		Wzbin
A2	11.11.03	△ MODIFY		XHTao
A3	13.04.29	△ MODIFY		LRP
A4	13.06.14	△ MODIFY		LRP

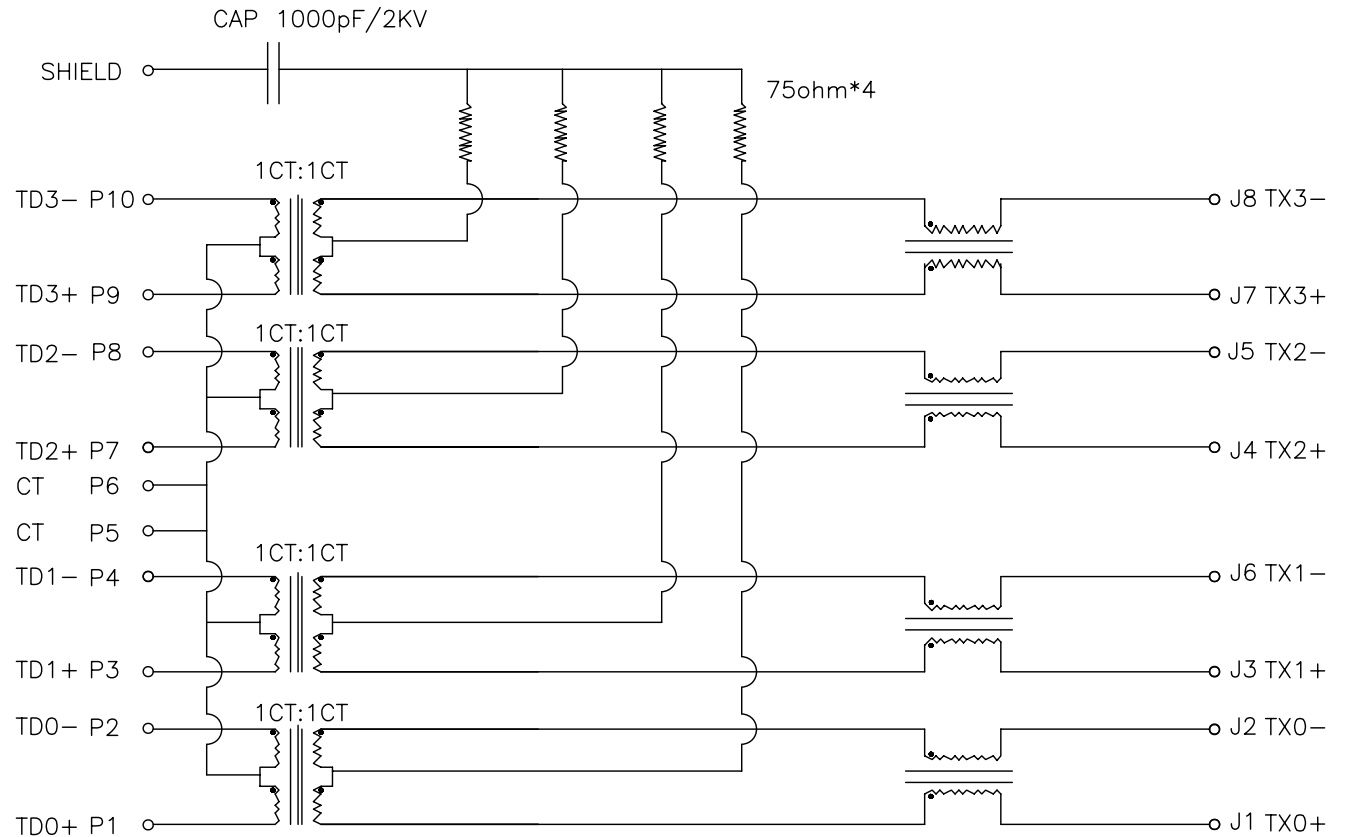
GENERAL TOLERANCE ± 0.25mm	WIESON TECHNOLOGIES CO., LTD		PART NO.: G7412-18*****	
	DRAWN BY	Amcen(WSC)	DRAWING NO.	G7412-18*****
GENERAL ANGLE TOLERANCE ± 3°	CHECKED BY	WZBIN	DRAWING SIZE	A4
	APPROVED BY	JINKENS	UNIT	mm
∅	SORTING NO.	CC0057(WSC)	PAGE	1 OF 2

RoHS Compliant

REV	DATE	DESCRIPTION	ECN NO.	NAME
A	07.04.13	PROPOSAL		Amcen
A1	11.04.01	△ MODIFY		Wzbin
A2	11.11.03	△ MODIFY		XHTao
A3	13.04.29	△ MODIFY		LRP
A4	13.06.14	△ MODIFY		LRP

7412 SERIES MODULAR JACK SINGLE PORT

- △ ELECTRICAL SPECIFICATIONS:
- 1.0 TURN RATIO @100KHz: 1:1±5%
 - 2.0 PRIMARY INDUCTANCE:
350uH MIN @100KHZ,0.1V 8mA DC BIAS
 - 3.0 DC RESISTANCE: 1.2 OHMS MAX
 - 4.0 INSERTION LOSS: 1-100MHz -1.0dB MIN
100-125MHz -1.2dB MIN
 - 5.0 RETURN LOSS: 1-40MHz -16dB MAX
30-60MHz -12dB MAX
60-80MHz -10dB MAX
80-100MHz -8dB MAX
 - 6.0 CROSS TALK: 1-100MHz -30dB MAX
 - 7.0 COMMON TO COMMON MODE ATTENUATION:
1-100MHz -30dB MIN
 - 8.0 ISOLATION: PHY SIDE TO LINE SIDE: 2250VDC



GENERAL TOLERANCE ± 0.25mm	WIESON TECHNOLOGIES CO., LTD		PART NO.: G7412-18*****	
	DRAWN BY	Amcen(WSC)	DRAWING NO.	G7412-18*****
GENERAL ANGLE TOLERANCE ± 3°	CHECKED BY	WZBIN	DRAWING SIZE	A4
	APPROVED BY	JINKENS	UNIT	mm
⊕	SORTING NO.	CC0057(WSC)	PAGE	2 OF 2

RPOPOSAL

[ARTICLE:044033 V6]