

**RoHS Compliant**

MID-MOUNT H=6.0mm RJ45+100M TRANSFORMER

REV	DATE	DESCRIPTION	ECN NO.	NAME
A	17.11.07	PROPOSAL		HHuan

**MATERIAL:**

HOUSING: SEE ORDER INFORMATION (UL94V-0)  
 HOUSING COLOR: SEE ORDER INFORMATION  
 TERMINAL: PHOSPHOR BRONZE  
 TERMINAL PLATING: SEE ORDER INFORMATION IN CONTACT AREA.  
 SHELL: BRASS  
 SHELL PLATING: Ni PLATED

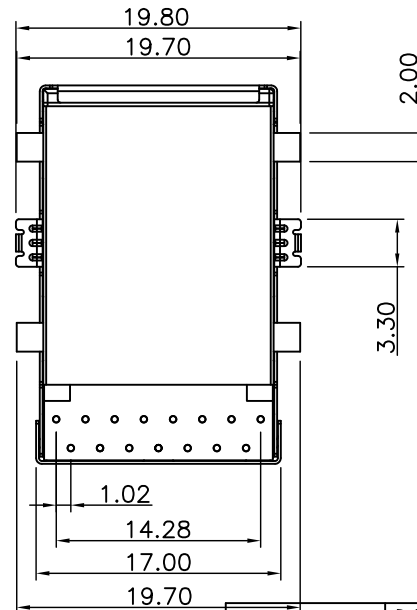
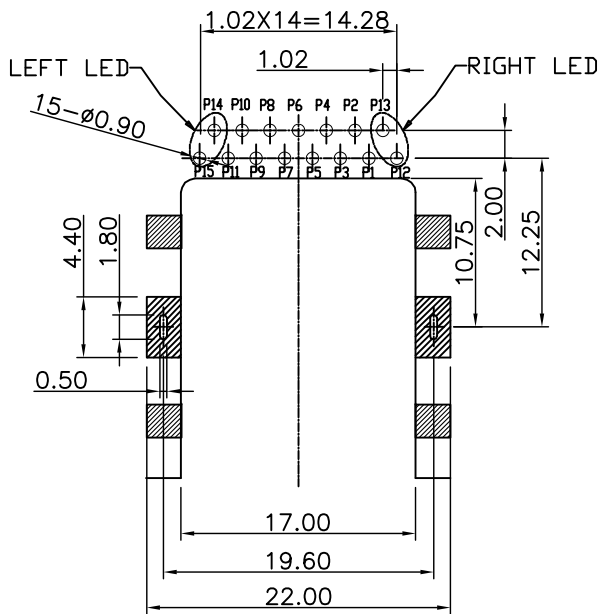
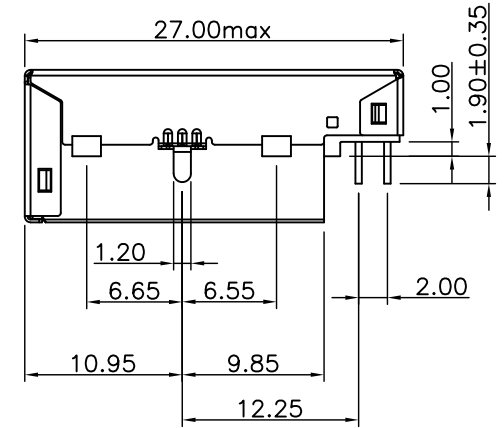
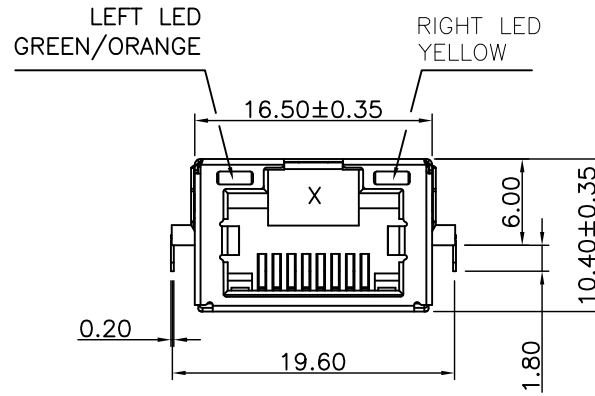
G7412-66 \*\* \* \* \*\* -00

MATERIAL HOUSING & COLOR:  
 01: LCP;BLACK

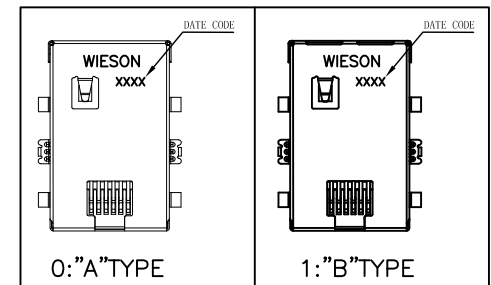
OPTION:  
 0:"A"TYPE  
 1:"B"TYPE

TERMINAL PLATING:  
 01: 6u" Au  
 02: 15u" Au  
 03: 30u" Au

TRANSFORMER  
 0: 100M TRANSFORMER



OPTION



RECOMMENDED P.C.BOARD(TOP VIEW)  
 NOTE: P.C.B LAYOUT TOLERANCE: ±0.05mm

GENERAL TOLERANCE ± 0.25mm GENERAL ANGLE TOLERANCE ± 3°	WIESON TECHNOLOGIES CO., LTD WIESON		PART NO.: G7412-66XXXXXX-00	
	DRAWN BY	HHuan(WSC)	DRAWING NO.	G7412-66XXXXXX-00
	CHECKED BY	JINKENS	DRAWING SIZE	A4
	APPROVED BY	JINKENS	UNIT	mm
	SORTING NO.	CA0192(WSC)	PAGE	1 OF 3

PROPOSAL

[ARTICLE:044033 V6]

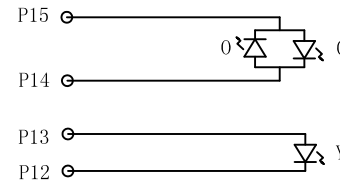
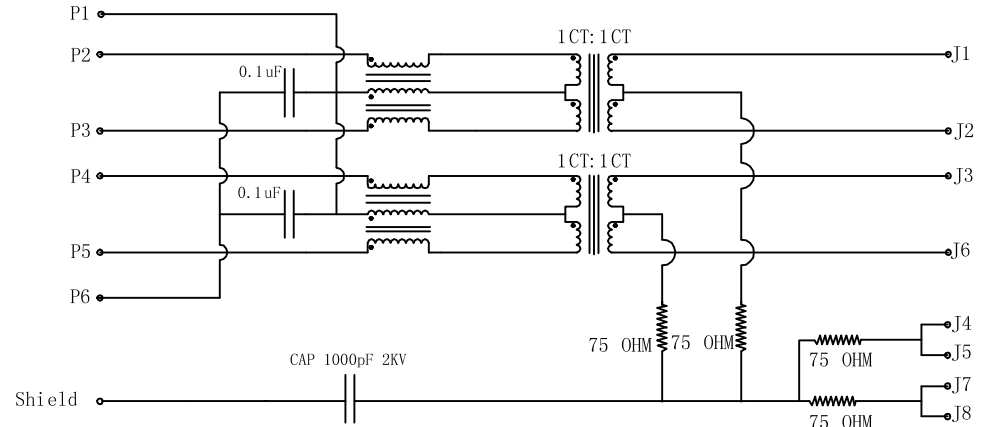
**RoHS Compliant**

MID-MOUNT H=6.0mm RJ45+100M TRANSFORMER

REV	DATE	DESCRIPTION	ECN NO.	NAME
A	17.11.07	PROPOSAL		HHuan

Electronical Specifications:

- 1.0 Turn Ratio @100KHz: (P2~P3):(J1~J2) = 1:1±5%  
(P4~P5):(J3~J6) = 1:1±5%
- 2.0 Primary Inductance: 350uH MIN @100KHZ,0.1V 8mA DC BIAS
- 3.0 DC Resistance:(J1~J2):(J3~J6) 1.2 OHMS MAX
- 4.0 Insertion Loss: 1-100MHz -1.0dB MAX
- 5.0 Return Loss: 1-30MHz -18dB MIN  
30-60MHz -15dB MIN  
60-80MHz -12dB MIN
- 6.0 CROSS TALK: 1-100MHz -30dB MIN
- 7.0 COMMON TO COMMON MODE ATTENUATION: 1-100MHz -30dB MIN
- 8.0 Isolation: PHY Side to Line Side: 1500VAC or 2250VDC



Pin	Green	Orange		Yellow
P15	+	-	P13	+
P14	-	+	P12	-

LED SPECIFICATION			
STANDARD LED	WAVELENGTH	Forward V(max)	TYP
GREEN	565nm	2.4V	2.2V
YELLOW	590nm	2.5V	2.1V
ORANGE	605nm	2.5V	2.0V

\*WITH A FORWARD CURRENT OF 20mA

GENERAL TOLERANCE ± 0.25mm  GENERAL ANGLE TOLERANCE ± 3°	WIESON TECHNOLOGIES CO., LTD 		PART NO.: G7412-66XXXXXX-00	
	DRAWN BY	HHuan(WSC)	DRAWING NO.	G7412-66XXXXXX-00
	CHECKED BY	JINKENS	DRAWING SIZE	A4
	APPROVED BY	JINKENS	UNIT	mm
	SORTING NO. CA0192(WSC)	PAGE	2 OF 3	

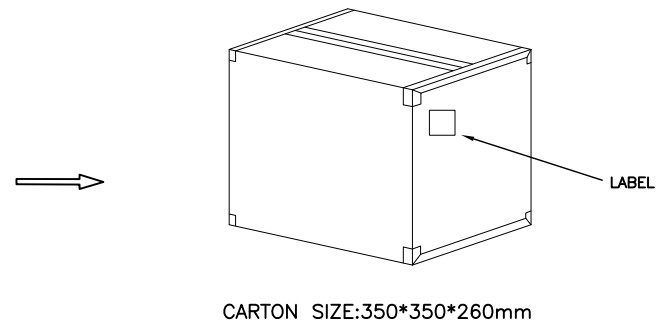
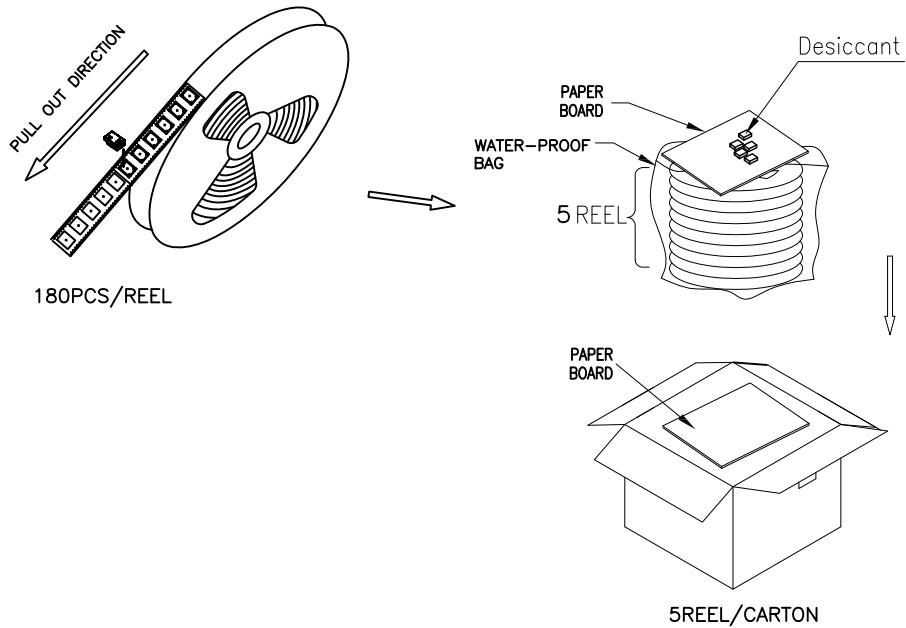
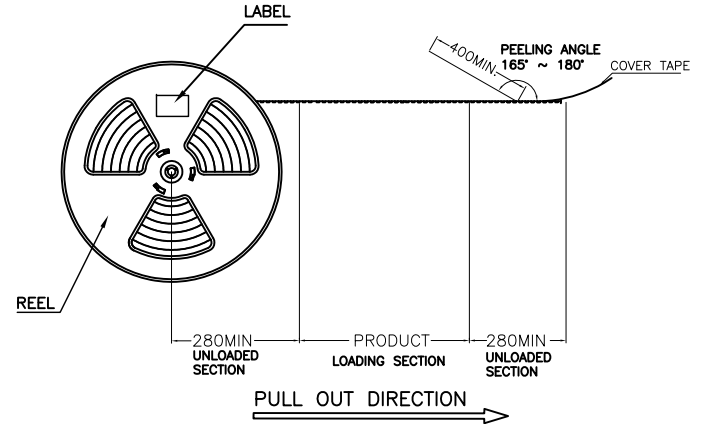
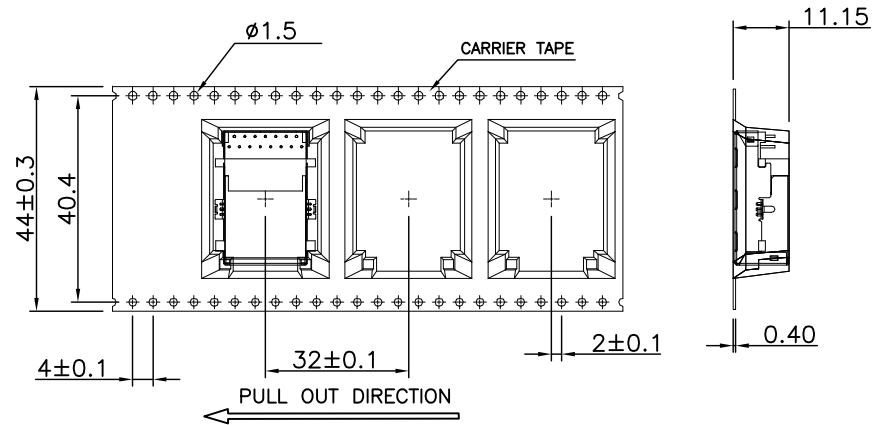
**PROPOSAL**

[ARTICLE:044033 V6]

REV	DATE	DESCRIPTION	ECN NO.	NAME
A	17.11.07	PROPOSAL		HHuan

**RoHS Compliant**

PACKAGING



NOTE:  
 1. PACK: 180PCS/REEL; 5REEL/CARTON; 900PCS/CARTON  
 2. CARTON SIZE: 350\*350\*260mm

<del>GENERAL TOLERANCE  <math>\pm 0.25</math>mm                  GENERAL ANGLE TOLERANCE  <math>\pm 3^\circ</math></del>	WIESON TECHNOLOGIES CO., LTD	PART NO.: G7412-66XXXXXX-00		
	DRAWN BY	HHuan(WSC)	DRAWING NO.	G7412-66XXXXXX-00
	CHECKED BY	JINKENS	DRAWING SIZE	A4
	APPROVED BY	JINKENS	UNIT	mm
	SORTING NO.	CA0192(WSC)	PAGE	3 OF 3

**PROPOSAL**

[ARTICLE:044033 V6]