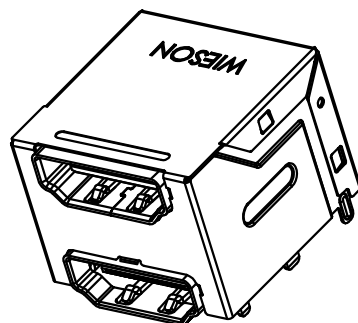
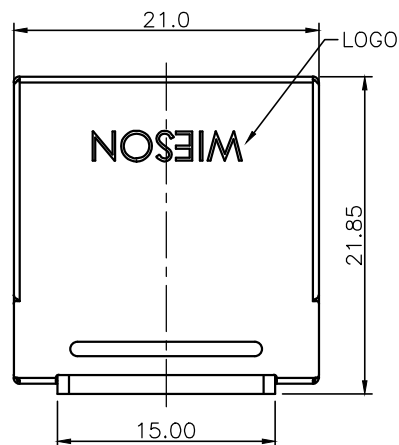


RoHS Compliant

7415 SERIES HDMI + HDMI CONNECTOR

REV	DATE	DESCRIPTION	ECN NO.	NAME
A	18.08.22	PROPOSAL		JOHN

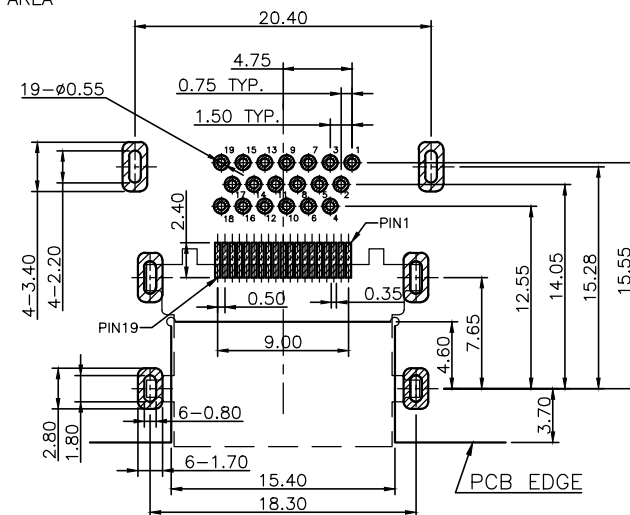
A



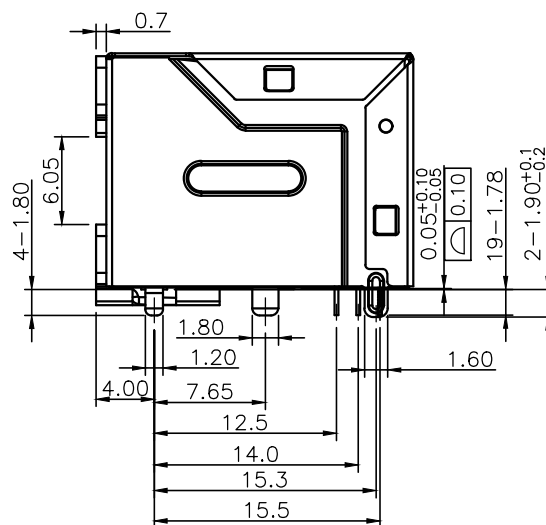
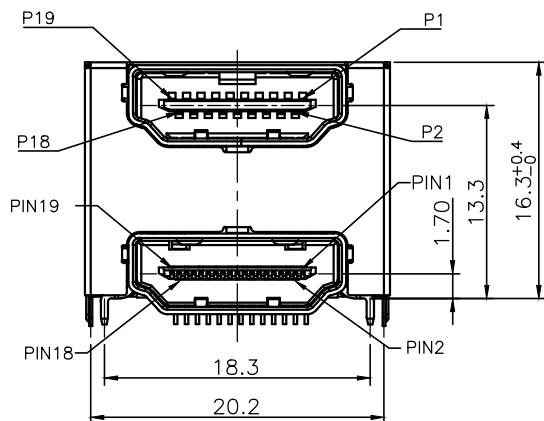
- NOTE: 1.MATERIAL :
 HOUSING : HIGH TEMPERATURE PLASTIC, UL94V-0 COLOR:BLACK
 TERMINAL : COPPER ALLOY.
 UPPER SHELL : COPPER ALLOY.
 UNDER SHELL : STAINLESS STEEL
 OUTSIDE SHELL : STAINLESS STEEL
- 2.PLATING :
 TERMINAL : SELECTIVE Au PLATED ON CONTACT AREA (SEE ORDER INFORMATION)
 Sn PLATED ON SOLDER AREA,
 BOTH OVER Ni UNDERPLATED OVERALL.
 SHELL : WELDABLE Ni OVERALL.
- 3.PACKING : TRAY.
- 4.ORDER INFORMATION :G7415-030000 XX -00
- ①
- 00 : Au FLASH ON CONTACT AREA
 - 01 : 3u"Au ON CONTACT AREA
 - 02 : 5u"Au ON CONTACT AREA
 - 03 : 15u"Au ON CONTACT AREA

B

C



D



RECOMMEND PCB LAYOUT (TOP VIEW)
 TOLERANCE: ±0.05mm

E

GENERAL TOLERANCE	WIESON TECHNOLOGIES CO., LTD WIESON	PART NO.: G7415-030000XX-00	
		DRAWN BY JOHN	DRAWING NO. G7415Z-030000XX-00
		CHECKED BY	DRAWING SIZE 2 : 1 A4
		APPROVED BY	UNIT mm
①	WCS	PAGE 1 OF 1	