

**RoHS Compliant**

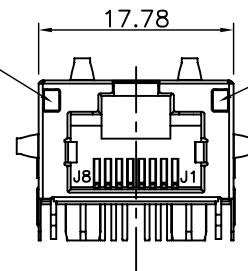
RJ45 JACK DIP TYPE;WITH 10G TRANSFORMER

REV	DATE	DESCRIPTION	ECN NO.	NAME
A	16.04.18	PROPOSAL		HHuan

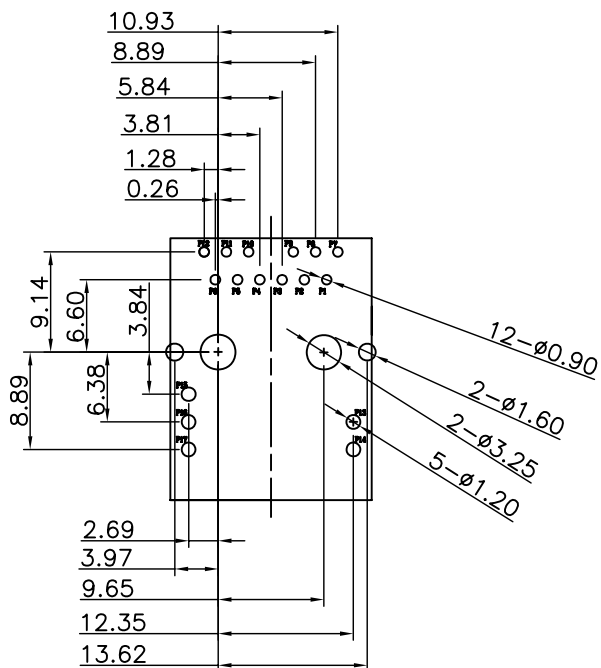
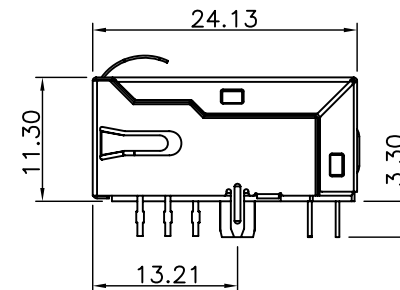
**MATERIAL:**

HOUSING: SEE ORDER INFORMATION (UL94V-0)  
 HOUSING COLOR: SEE ORDER INFORMATION  
 TERMINAL: PHOSPHOR BRONZE  
 TERMINAL PLATING: SELECTIVE Au IN CONTACT AREA, 100u"min  
 Sn IN SOLDER TAIL AREA, BOTH OVER  
 30u" min Ni UNDER PLATED OVERALL  
 SHELL : BRASS  
 SHELL PLATING: Ni PLATED

GREEN/YELLOW

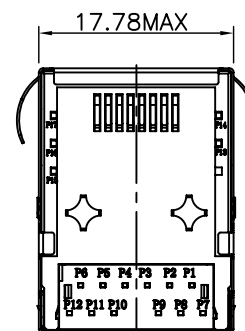


GREEN



RECOMMENDED P.C.B. BOARD

NOTE: P.C.B LAYOUT TOLERANCE: ±0.05mm



**ORDER INFORMATION**

G7416-04 \*\* \* \* \*\* -00

HOUSING MATERIAL&COLOR  
 00: PA66; BLACK

TERMINAL PLATING  
 01: 6u" Au PLATED

LED OPTION:  
 0: LEFT:GREEN&YELLOW  
 RIGHT:GREEN

SPRING OPTION:  
 0: WITH SPRING

GENERAL TOLERANCE ± 0.25mm	WIESON TECHNOLOGIES CO., LTD		PART NO.: G7416-04XXXXXX-00	
	WIESON	DRAWN BY HHuan(WSC)	DRAWING NO.	G7416-04XXXXXX-00
GENERAL ANGLE TOLERANCE ± 3°	CHECKED BY JINKENS	DRAWING SIZE	A4	
	APPROVED BY JINKENS	UNIT	mm	
⊕	SORTING NO. CA0192(WSC)	PAGE	1 OF 2	

**PROPOSAL**

[ARTICLE:044033 V6]

**RoHS Compliant**

REV	DATE	DESCRIPTION	ECN NO.	NAME
A	16.04.18	PROPOSAL		HHuan

# RJ45 JACK DIP TYPE;WITH 10G TRANSFORMER

## ELECTRICAL CHARACTERISTICS @ 25°C

### URNS RATIO

TP1	1CT : 1CT ±3%
TP2	1CT : 1CT ±'
TP3	
TP4	1CT : 1CT ±3%

### OCL @ 100kHz/100mVRMS (25°C) 160μH MIN.

1MHz TO 20MHz	-0.8 dB
50MHz	-1.0 dB
200MHz	-1.2 dB
400MHz	-2.0 dB
500MHz	-3.0 dB

### RET. LOSS (MIN) @ 100 OHMS

1MHz	-18 dB
2MHz	-20 dB
10MHz	-20 dB
100MHz	-20 dB
200MHz	-16 dB
300MHz	-13 dB
400MHz	-10 dB
500MHz	-8 dB

### CM TO CM REJ

1MHz - 500MHz

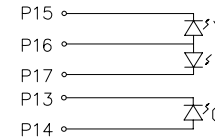
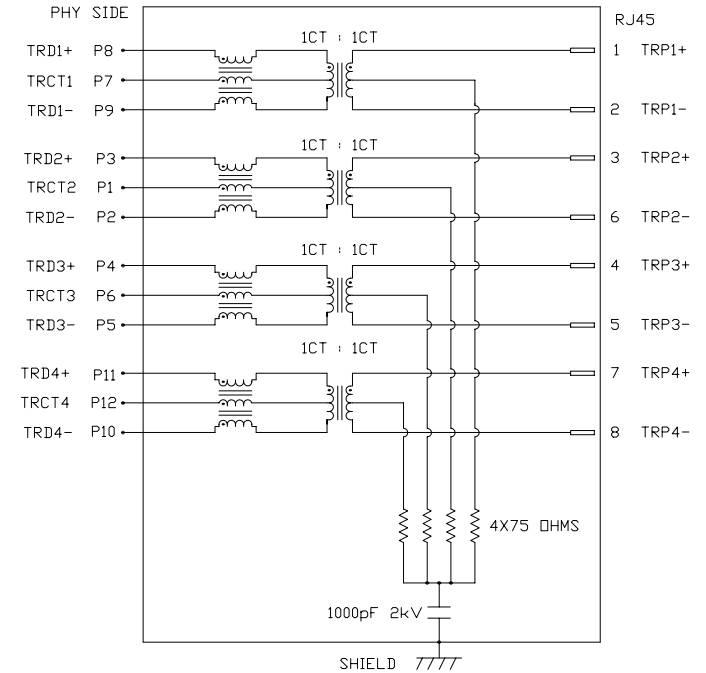
### CM TO DM REJ

1MHz - 500MHz -25 dB MIN

HIPOT (Isolation Voltage): 2250 VDC

LED SPECIFICATION				
STANDARD LED	WAVELENGTH	Forward Current	Forward V(max)	TYP
GREEN	565nm	20 mA	2.4V	2.2V
YELLOW	590nm	20 mA	2.5V	2.1V

## 10G TRANSFORMER



Pin	Green	Yellow	Green
P13	-	P15	-
P14	+	P16	+
		P17	-

GENERAL TOLERANCE ± 0.25mm	WIESON TECHNOLOGIES CO., LTD		PART NO.: G7416-04XXXXXX-00	
	DRAWN BY	HHuan(WSC)	DRAWING NO.	G7416-04XXXXXX-00
	CHECKED BY	JINKENS	DRAWING SIZE	A4
	APPROVED BY	JINKENS	UNIT	mm
GENERAL ANGLE TOLERANCE ± 3°	SORTING NO.	CA0192(WSC)	PAGE	2 OF 2

**PROPOSAL**

[ARTICLE:044033 V6]