

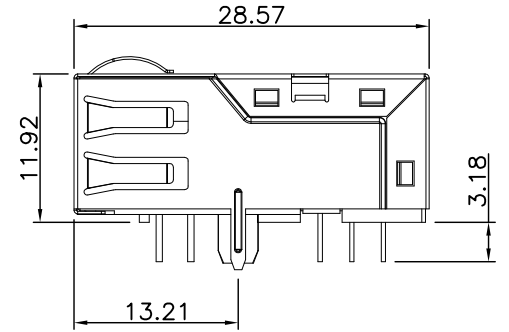
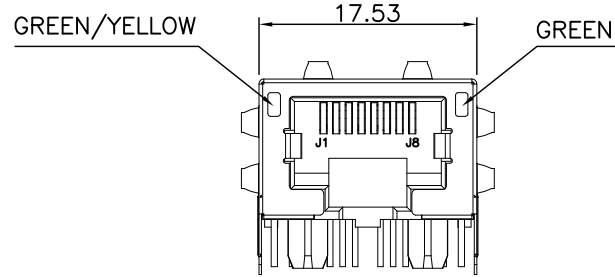
RoHS Compliant

RJ45 JACK CONNECTOR (WITH LED/10G TRANSFORMER)

REV	DATE	DESCRIPTION	ECN NO.	NAME
A	17.04.24	PROPOSAL		HHuan
A1	17.04.25	△ MODIFY		HHuan

MATERIAL:

HOUSING: SEE ORDER INFORMATION (UL94V-0)
 HOUSING COLOR: SEE ORDER INFORMATION
 TERMINAL: PHOSPHOR BRONZE
 TERMINAL PLATING: SELECTIVE Au IN CONTACT AREA
 SHELL : BRASS
 SHELL PLATING: Ni PLATED



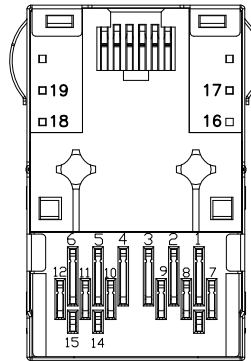
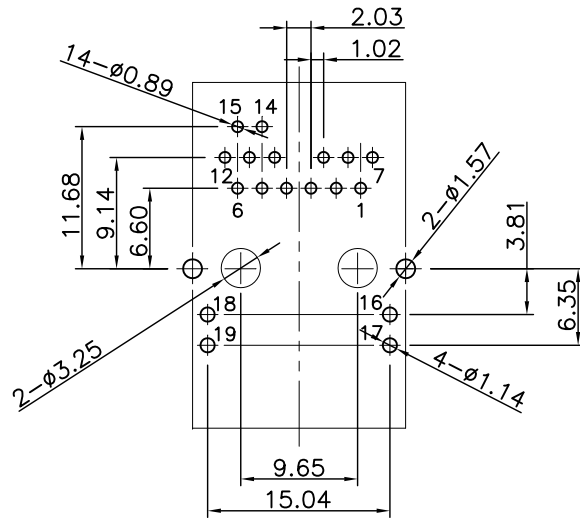
G7416-05 ** * * ** -00

HOUSING MATERIAL&COLOR
 △ 00: LCP; BLACK

TERMINAL PLATING
 01: 50u" Au PLATED

LED OPTION:
 0: LEFT:GREEN&YELLOW
 RIGHT:GREEN

SPRING OPTION:
 0: WITHOUT SPRING



RECOMMENDED P.C.BOARD
 HOLE LAYOUT

NOTE: P.C.B LAYOUT TOLERANCE: ±0.05mm

GENERAL TOLERANCE ± 0.25mm	WIESON TECHNOLOGIES CO., LTD		PART NO.: G7416-05XXXXXX-00	
	DRAWN BY	HHuan(WSC)	DRAWING NO.	G7416-05XXXXXX-00
GENERAL ANGLE TOLERANCE ± 3°	CHECKED BY	JINKENS	DRAWING SIZE	A4
	APPROVED BY	JINKENS	UNIT	mm
⊕	SORTING NO.	CA0192(WSC)	PAGE	1 OF 2

PROPOSAL

[ARTICLE:044033 V6]

RoHS Compliant

RJ45 JACK CONNECTOR (WITH LED/10G TRANSFORMER)

REV	DATE	DESCRIPTION	ECN NO.	NAME
A	17.04.24	PROPOSAL		HHuan
A1	17.04.25	△ MODIFY		HHuan

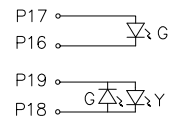
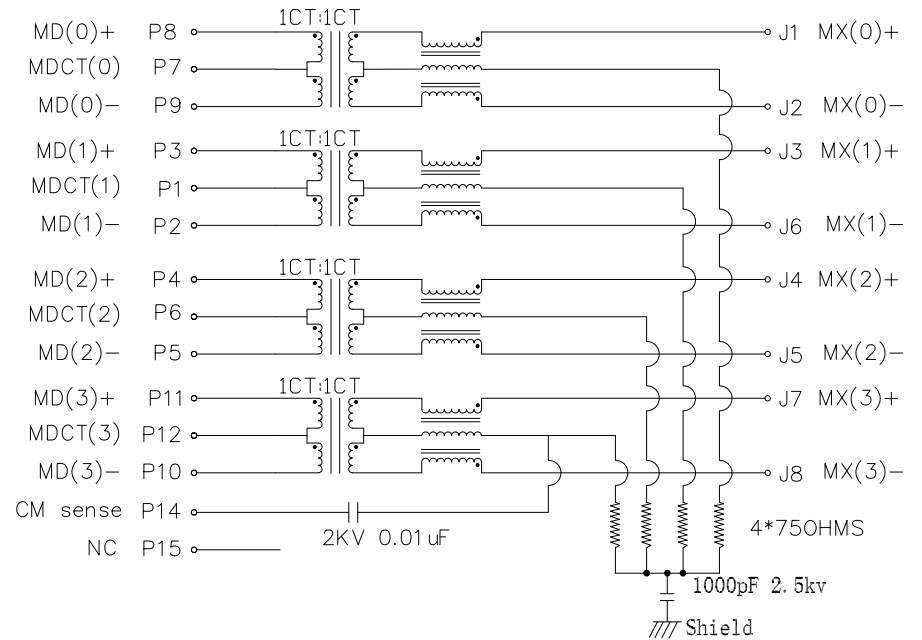
ELECTRICAL SPECIFICATIONS @ 25°C:

PARAMETER	SPECIFICATIONS		
URNS RATIO	1.00 ± 2%		
POLARITY	PER SCHEMATIC		
INSERTION LOSS (DATA CHANNELS)	100 KHz	1-400 MHz	
	-3.0 dB MAX	-2.0 dB MAX (-1.4dB TYP)	
RETURN LOSS (Z OUT=100 OHM ±1%)	1-40 MHz	40 MHz-400 MHz	400 MHz-500 MHz
	-16 dB MIN	-16+10LOG(f/40)dB	-6+30LOG(f/400)dB
	INDUCTANCE (OCL)		
160 uH MIN @ 100 KHz, 100 mV			
CROSSTALK, ADJACENT CHANNELS	1-100 MHz		100-500 MHz
	-28 dB MIN		-19 dB MIN
COMMON MODE REJECTION RATIO	1-40 MHz	40-100 MHz	100-500 MHz
	-30 dB MIN	-28 dB MIN	-26 dB MIN
	COMMON TO DIFFERENTIAL MODE REJECTION (CDMR)		250-500 MHz
1-250 MHz		-22 dB MIN	
-30 dB MIN			
HIPOT-OUTPUT ISOLATION	2250 VDC MIN @ 60 SECONDS		

NOTE: f IS FREQUENCY IN MHZ.

LED SPECIFICATION				
STANDARD LED	WAVELENGTH	Forward Current	Forward V(max)	TYP
GREEN	565nm	20 mA	2.4V	2.2V
YELLOW	590nm	20 mA	2.5V	2.1V

10G TRANSFORMER



Pin	Green	Pin	Green	Yellow
P16	-	P18	+	-
P17	+	P19	-	+

GENERAL TOLERANCE ± 0.25mm	WIESON TECHNOLOGIES CO., LTD		PART NO.: G7416-05XXXXXX-00	
	DRAWN BY	HHuan(WSC)	DRAWING NO.	G7416-05XXXXXX-00
GENERAL ANGLE TOLERANCE ± 3°	CHECKED BY	JINKENS	DRAWING SIZE	A4
	APPROVED BY	JINKENS	UNIT	mm
⊕	SORTING NO.	CA0192(WSC)	PAGE	2 OF 2

PROPOSAL

[ARTICLE:044033 V6]