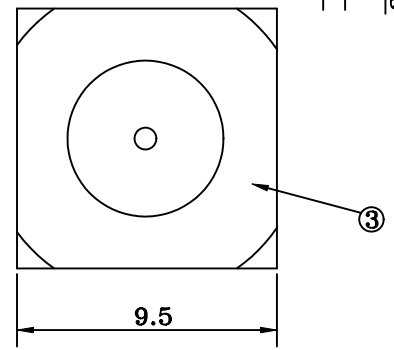
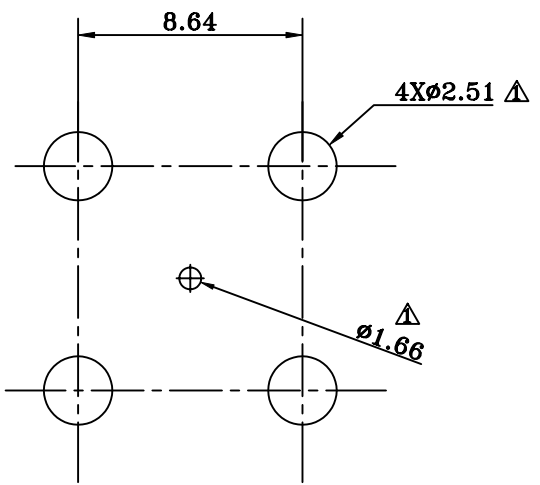
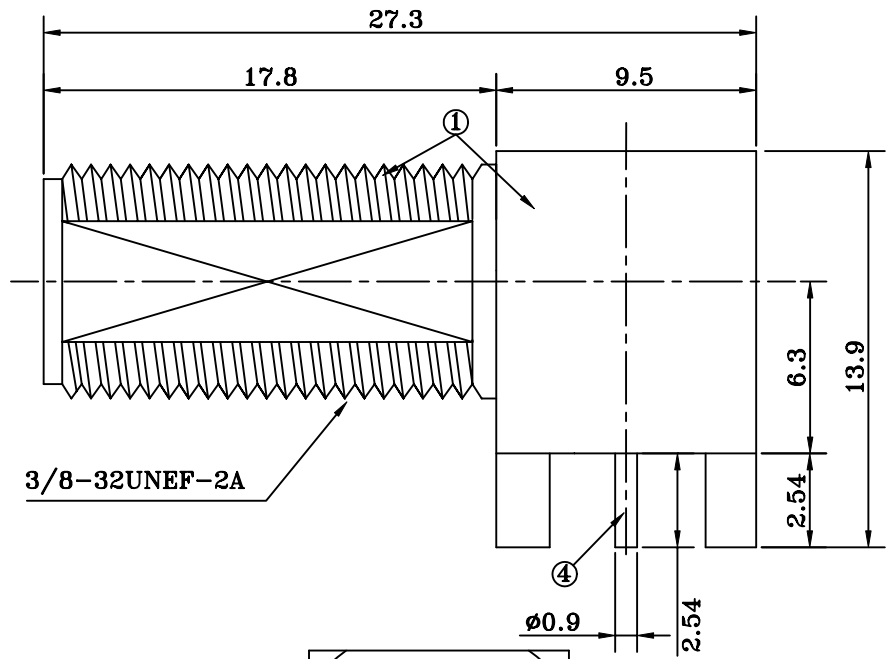
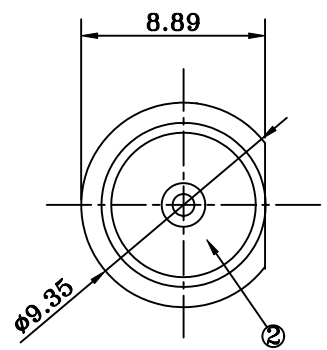


REV	DATE	DESCRIPTION	ECN NO.	NAME
A	06.07.19	NEW RELEASE		James
B	06.09.05	Modify BOM & Dimension Δ	TECR06001690	James
C	07.02.01	Modify BOM & SORTING NO. Δ	TECR07001792	James

G7822 SERIES F R/A PCB MOUNT CONN.



NO.	NAME	MATERIAL	FINISH	Q'TY
4	PIN	PHOSPHOR BRONZE	TIN	1
3	CUBE INSULATOR	TEFLON	WHITE	1
2	INSULATOR	NYLON-66 Δ	WHITE	2 Δ
1	BODY	BRASS	NICKEL Δ	2 Δ

GENERAL TOLERANCE ± 0.3 mm GENERAL ANGLE TOLERANCE $\pm 3^\circ$	WIESON TECHNOLOGIES CO., LTD WIESON	PART NO.: G7822-430143		
	DRAWN BY	James (WST)	DRAWING NO.	G7822-430143
	CHECKED BY	WEN	DRAWING SIZE	A3
	APPROVED BY	LEO	UNIT	mm
	SORTING NO.	TC0015 (WST) Δ	PAGE	1 OF 1

ISSUED