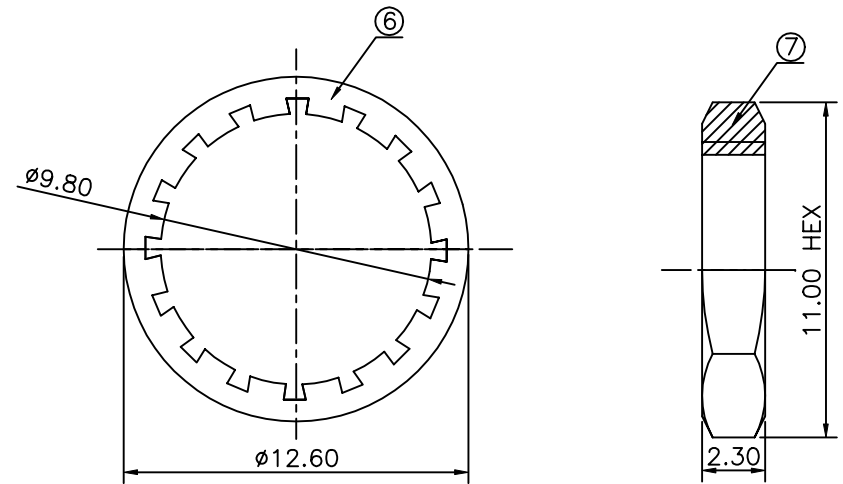
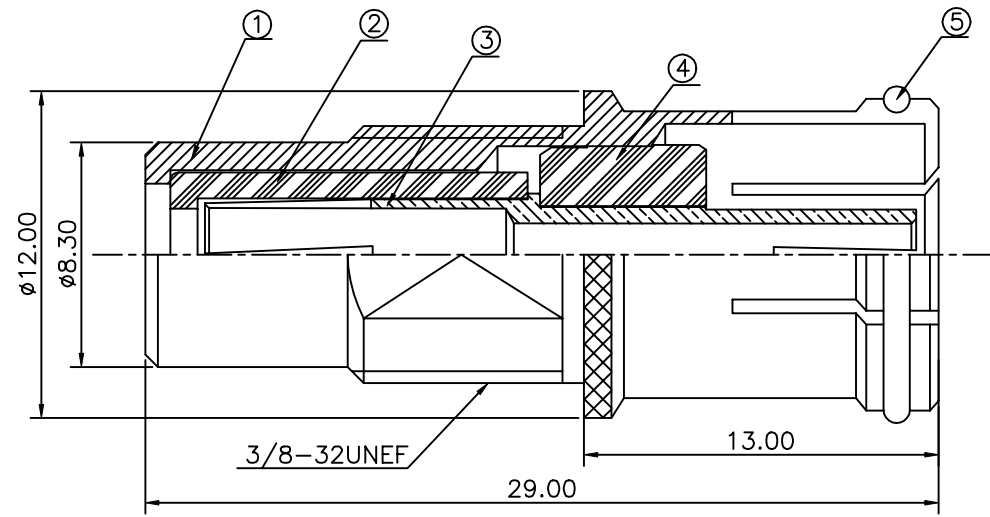
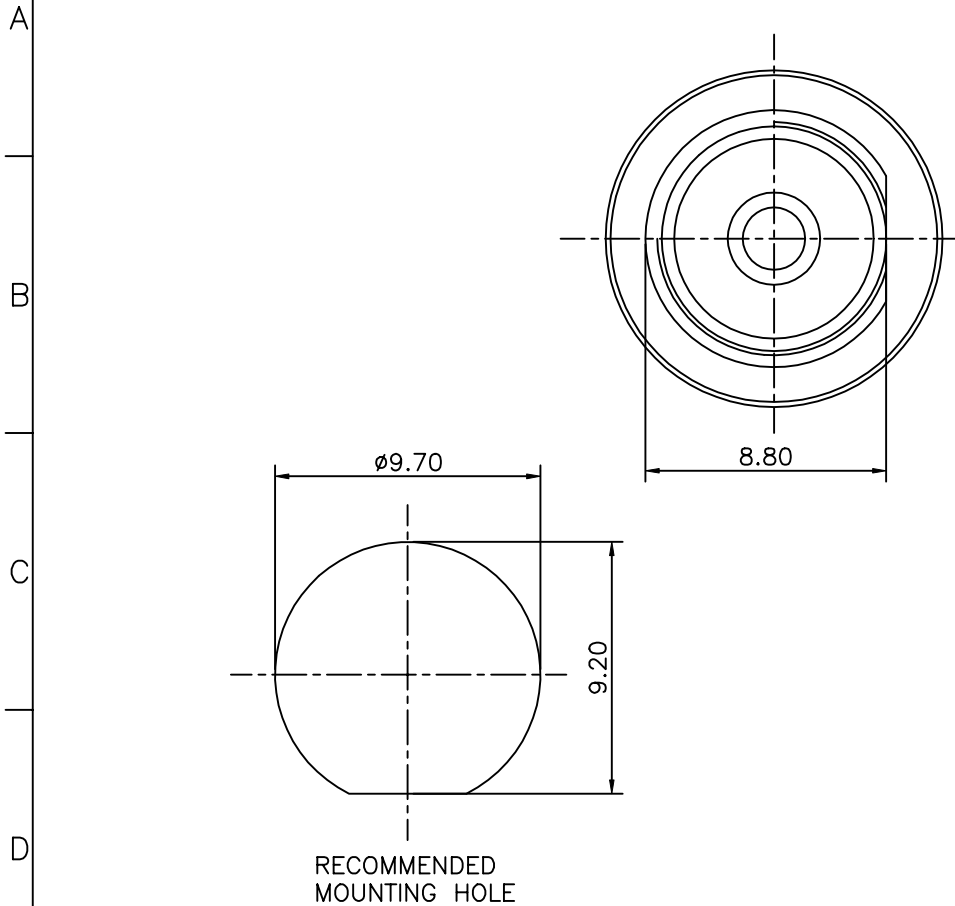


REV	DATE	DESCRIPTION	NAME
01	05.07.30	NEW RELEASE	wzjun

# 8630 SERIES RCA JACK BULKHEAD ADAPTOR



⑦	NUT	COPPER ALLOY	Ni PLATED	1
⑥	WASHER	COPPER ALLOY	Ni PLATED	1
⑤	SPRING	COPPER ALLOY	Ni PLATED	1
④	INSULATOR	THERMOPLASTIC	WHITE	1
③	CONTACT PIN	COPPER ALLOY	Ni PLATED	1
②	INSULATOR	THERMOPLASTIC	WHITE	1
①	BODY	COPPER ALLOY	Ni PLATED	1
NO.	PART NAME	MATERIAL	PLATED/COLOR	Q'TY

GENERAL TOLERANCE $\pm 0.25\text{mm}$ GENERAL ANGLE TOLERANCE $\pm 3^\circ$	WIESON TECHNOLOGIES CO., LTD WIESON	PART NO.: G8630-121000		
	DRAWN BY	wzjun(WSC)	DRAWING NO.	G8630-121000
	CHECKED BY	JIMMY	DRAWING SIZE	5 : 1   A4
	APPROVED BY	JERRY	UNIT	mm
	SORTING NO.	BJ	PAGE	1 OF 1

REFERENCE

[ARTICLE:044033 V4]