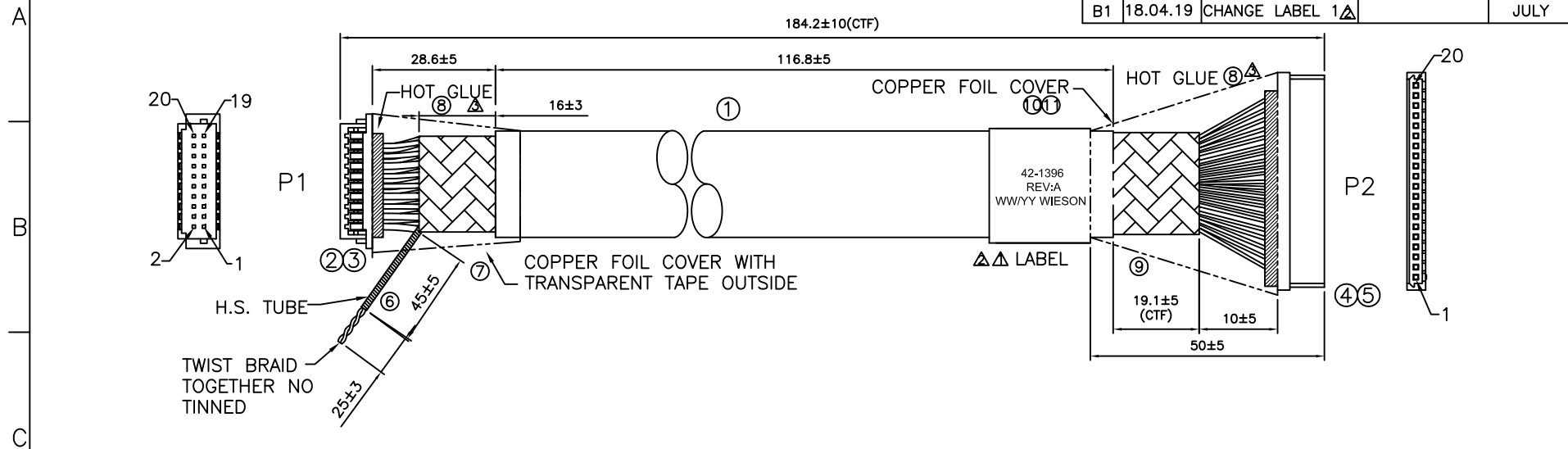


RoHS Compliant

REV	DATE	DESCRIPTION	ECN NO.	NAME
C	18.04.19	CHANGE LABEL 1 Δ	ECR1853758	JULY
D	18.09.11	CHANGE 3M GLUE Δ	ECR1884190	JULY
D1	18.11.14	ADD COPPER SPECIFICE Δ		JULY
B	17.12.29	NEW RELEASE		JULY
B1	18.04.19	CHANGE LABEL 1 Δ		JULY



NOTES:
 1. OPEN/SHORT TEST:100%
 2. THE REST OF CABLE MUST CUT

NO.	ITEM	DESCRIPTION	QTY
①	COPPER	DOUBLE-SIDES,COPPER FOIL COVER 35U',WIESON P/N:GCF-W25T35R00D. Δ	RA
⑩	COPPER	DOUBLE-SIDES,COPPER FOIL COVER 35U',WIESON P/N:GCF-W35T35R00D. Δ	RA
⑨	KATPON	COLOR:YELLOW,KATPON	RA
⑧	HOT GLUE	3M,COLOR:NATURE. Δ	RA
⑦	COPPER	DOUBLE-SIDES,COPPER FOIL COVER 35U',WIESON P/N:GCF-W16T35R00D.	RA
⑥	H.S.TUBE	H.S.TUBE,OD:3.0mm,WIESON P/N:GHS-BD030WP-H. Δ	1
⑤	TERMINAL	PITCH:1.25mm TERMINAL,PHOSPHOR BRONZE GOLD PLATED, SEAGULL P/N:KY-1253TPS-30	18
④	HOUSING	HOUSING 20PIN PITCH:1.25mm; BROWN, SEAGULL P/N:KY-1253HS-20	1
③	TERMINAL	PITCH:1.25mm TERMINAL,PHOSPHOR BRONZE GOLD PLATED, SEAGULL P/N:KY-1254TPS-30	18
②	HOUSING	HOUSING 10*2PIN PITCH:1.25mm; BROWN, SEAGULL P/N:KY-1254HD-20	1
①	CABLE	UL2990 28AWG*10P+AEB,PVC JACKET.COLOR:BEIGE(PC02),OD:6.0mm,WIESON:GRC-B10PDP026X	1
NO.	ITEM	DESCRIPTION	QTY

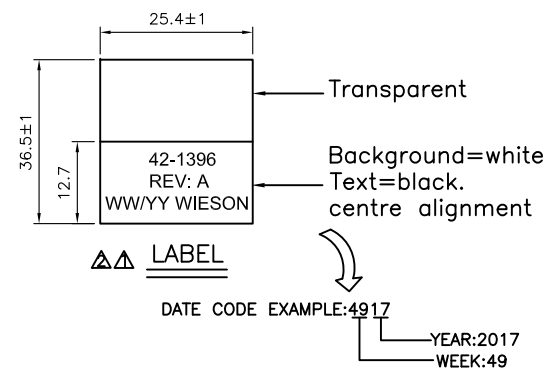
WIESON TECHNOLOGIES CO., LTD		CUST NO.: 42-1396/A Δ	
WIESON		PART NO.: G9600HA004-152	
TITLE: 20PIN HOUSING TO 20PIN HOUSING			
DRAWN BY	JULY(WSC)	DRAWING NO.	G9600HA004-152
CHECKED BY	TON	DRAWING SIZE	NONE A4
APPROVED BY	TOLIN	UNIT	mm
SORTING NO.	WSC	PAGE	2 OF 1

RoHS Compliant

C	18.04.19	CHANGE LABEL 1	△	ECR1853758	JULY	REV	DATE	DESCRIPTION	ECN NO.	NAME
D	18.09.11	CHANGE 3M GLUE	△	ECR1884190	JULY	A1	17.12.25	PROPOSAL		JULY
D1	18.11.14	ADD COPPER SPECIFICE	△		JULY	A2	17.12.27	CHANGE LABEL	△	JULY
						B	17.12.29	NEW RELEASE		JULY
						B1	18.04.19	CHANGE LABEL 1	△	JULY

PIN ASSIGNMENT

P1		P2
1	RED	1
1	RED/BLACK	3
3	WHITE	2
2	WHITE/BLACK	7
7	GREEN	5
5	GREEN/BLACK	6
6	BLUE	4
4	BLUE/BLACK	8
8	YELLOW	9
9	YELLOW/BLACK	10
10	BROWN	13
13	BROWN/BLACK	11
11	ORANGE	12
12	ORANGE/BLACK	15
14	PINK	16
15	PINK/BLACK	17
16	RED/WHITE	18
17	BROWN/WHITE	
18		



△△ LABEL



WIESON TECHNOLOGIES CO., LTD

WIESON

CUST NO.:

42-1396/A △

PART NO.:

G9600HA004-152

TITLE:

20PIN HOUSING TO 20PIN HOUSING

DRAWN BY	JULY(WSC)	DRAWING NO.	G9600HA004-152
CHECKED BY	TON	DRAWING SIZE	NONE A4
APPROVED BY	TOLIN	UNIT	mm
		PAGE	2 OF 2

NO.	ITEM	DESCRIPTION	QTY	SORTING NO.	WSC	PAGE	2 OF 2
-----	------	-------------	-----	-------------	-----	------	--------