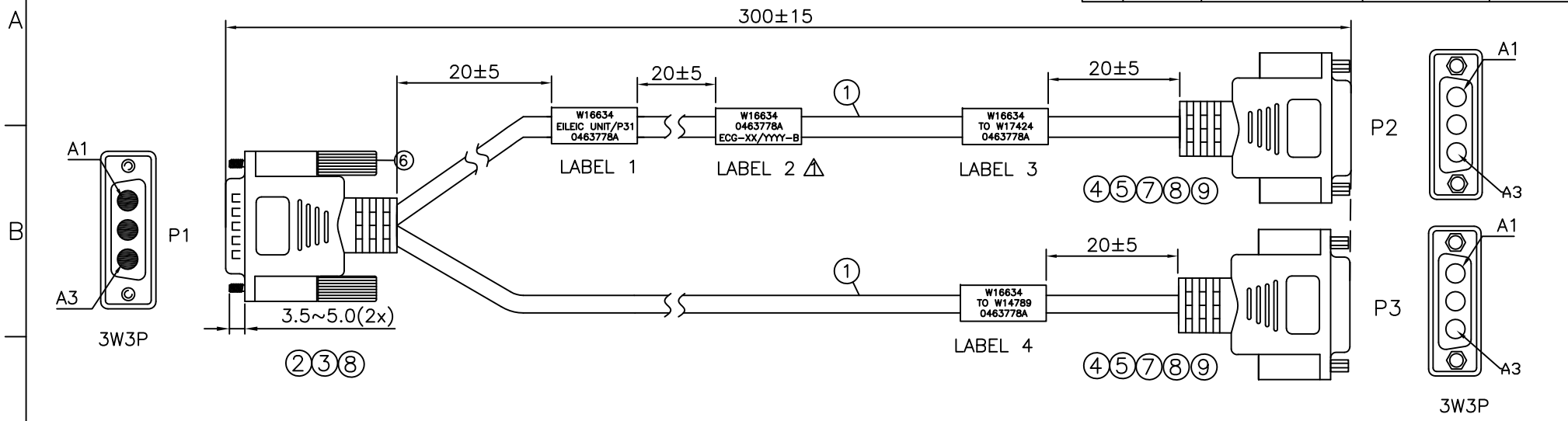


RoHS Compliant

REV	DATE	DESCRIPTION	ECN NO.	NAME
A	19.03.20	PROPOSAL		MORGAN
A1	19.05.20	CHANGE SPEC Δ		JULY
B	19.06.08	NEW RELEASE		JULY



NOTES: Δ

1.TEST CONDITION:

A. CABLE MUST TO BE 100% TESTED OPEN, SHORT & MISWIRE.

B. INSULATOR RESISTANCE:DC 300V 0.01sec, 2Mohm MIN

C. CONTACT RESISTANCE: 2ohm MAX

2.P1,P2&P3 MOLD NUMBER:MLCC-DB-2335,MLCC-DB-2336.
P1 SCREW MOLD NUMBER:MCSW00-5W-0087.

3.WELDING WIRE TERMINALS TO WEAR H.S.G BEFORE MOLD.

4.SHIELD WITH FOIL BERORE MOLD.

5.RELEASE THE SPECIFICATIONBASE ON THE PROPOSAL DRAWING REVISION A1 AS CUSTOMER APPROVAL.

PIN ASSIGNMENT

P1	P2	P3
A1 — BROWN	A1 — BROWN	A1
A2 — BLUE	A2 — BLUE	A2
A3 — GREEN/YELLOW	A3 — GREEN/YELLOW	A3
SHELL — DRAIN		SHELL

⑨	WIESON	GSF6-A475180	4-40UNC,W4.75,NICKEL PLATED.	4	CUST NO.: 0463778A/B Δ			
⑧	WIESON		PVC, 45P, BALCK(BC01) UL94V-0	RA				
⑦	ZHENHU	HG-009-311/312	4-40UNC,W4.75*5.0*L11.3,SCREW+SPRING WSHR.	4	PART NO.: G9836JB277-096			
⑥	WIESON	GSC-040N32N	SCREW #4-40,NICKEL PLATED, MOLDING COLOR: BLACK(BC01).	2				
⑤	SIGNALORIGIN	XHY-01-0042-10A	TERMINAL FEMALE,GOLD PLATED 14~16AWG(ELBATECH CONSIGN).	6	TITLE: DB 3PIN/M TO DB 3PIN/F*2 CABLE			
④	SIGNALORIGIN	XHY-05-0820	D-SUB 3P FEMALE,SOLDER TYPE,BLACK PBT INSULATOR(ELBATECH CONSIGN).	2				
③	SIGNALORIGIN	XHY-01-0041-10A	TERMINAL MALE,GOLD PLATED 14~16AWG(ELBATECH CONSIGN).	3	DRAWN BY	MORGAN	DRAWING NO.	G9836JB277-096
②	SIGNALORIGIN	XHY-05-0819	D-SUB 3P MALE,SOLDER TYPE,BLACK PBT INSULATOR(ELBATECH CONSIGN).	1	CHECKED BY	TON	DRAWING SIZE	A4
①	COPARTNER	2725813	SJT 16AWG*3C+DRAIN+AL/MY, PVC JACKET, BLACK, OD9.3mm.	2	APPROVED BY	TOLIN	UNIT	mm
NO.	MFG	PART NO.	DESCRIPTION	QTY	SORTING NO.	WSC	PAGE	1 OF 2

WIESON TECHNOLOGIES CO., LTD

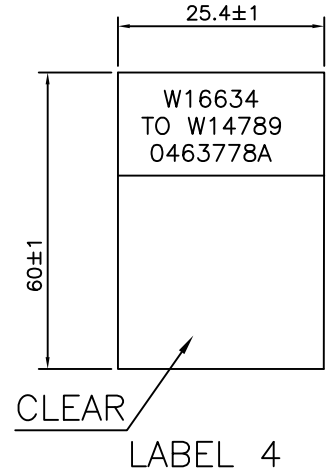
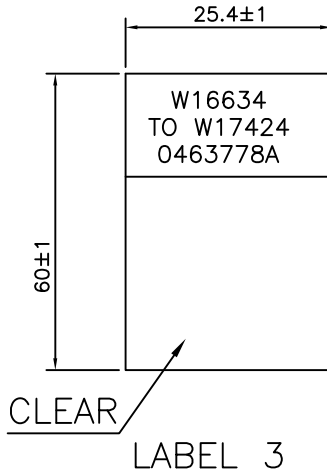
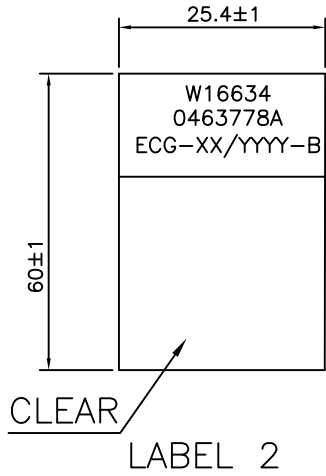
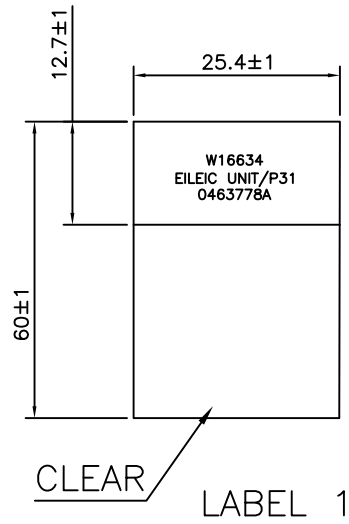
CUST NO.:
0463778A/B Δ

PART NO.:
G9836JB277-096

REV	DATE	DESCRIPTION	ECN NO.	NAME
A	19.03.20	PROPOSAL		MORGAN
A1	19.05.20	CHANGE SPEC Δ		JULY
B	19.06.08	NEW RELEASE		JULY

RoHS Compliant

A
B
C
D
E



EL:Elbatech
XX/YYYY:(PRODUCE:WEEK/YEAR)



CUST NO.:
0463778A/B Δ



PART NO.:
G9836JB277-096

TITLE:
DB 3PIN/M TO DB 3PIN/F*2 CABLE

DRAWN BY	MORGAN	DRAWING NO.	G9836JB277-096
CHECKED BY	TON	DRAWING SIZE	A4
APPROVED BY	TOLIN	UNIT	mm
SORTING NO.	WSC	PAGE	2 OF 2

NO.	MFG	PART NO.	DESCRIPTION	QTY