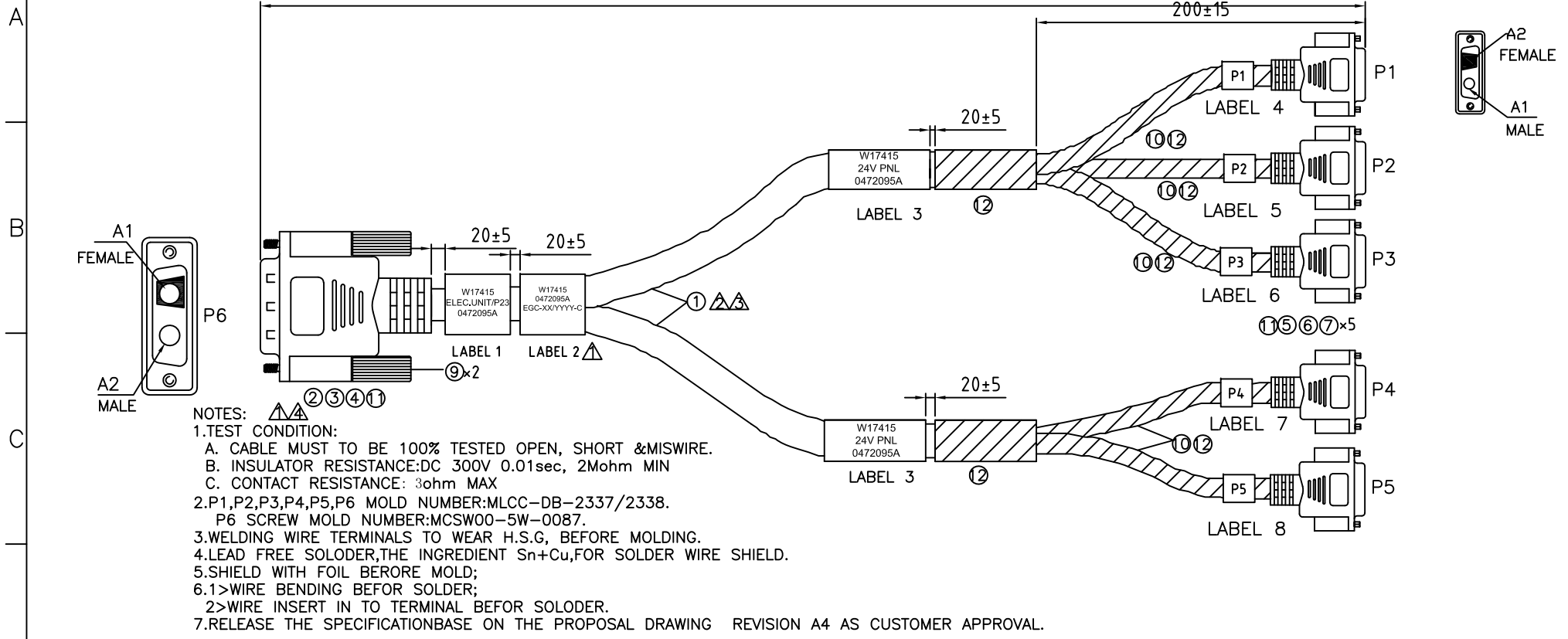


RoHS Compliant

REV	DATE	DESCRIPTION	ECN NO.	NAME
A3	19.04.22	CHANGE CABLE		JULY
A4	19.05.07	CHANGE SPEC		JULY
B	19.06.11	NEW RELEASE		JULY
A2	19.04.15	CHANGE CABLE		JULY



NOTES:

1. TEST CONDITION:
 A. CABLE MUST BE 100% TESTED OPEN, SHORT & MISWIRE.
 B. INSULATOR RESISTANCE: DC 300V 0.01sec, 2Mohm MIN
 C. CONTACT RESISTANCE: 3ohm MAX

2. P1, P2, P3, P4, P5, P6 MOLD NUMBER: MLCC-DB-2337/2338.
 P6 SCREW MOLD NUMBER: MCSW00-5W-0087.

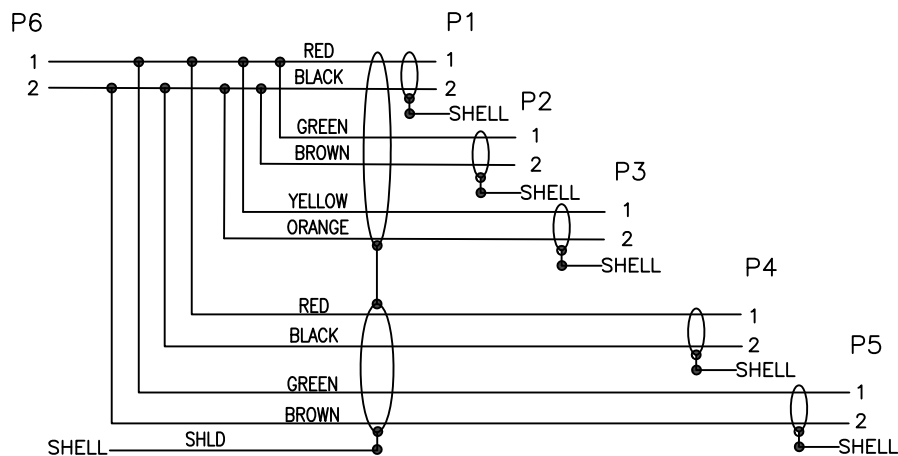
3. WELDING WIRE TERMINALS TO WEAR H.S.G, BEFORE MOLDING.
 4. LEAD FREE SOLODER, THE INGREDIENT Sn+Cu, FOR SOLDER WIRE SHIELD.
 5. SHIELD WITH FOIL BERORE MOLD;
 6. 1> WIRE BENDING BEFOR SOLDER;
 2> WIRE INSERT IN TO TERMINAL BEFOR SOLODER.
 7. RELEASE THE SPECIFICATION BASE ON THE PROPOSAL DRAWING REVISION A4 AS CUSTOMER APPROVAL.

NO.	MFG	PART NO.	DESCRIPTION	QTY	SORTING NO.	WCS	PAGE	1 OF 2
12	WIESON		HEAT TUBE ,BLACK.L=30mm+200mm	RA				
11	WIESON		PVC, 45P, BALCK(BC01) UL94-V0	RA				
10	WIESON	G0104-060001	TINNED COPPER WOVEN NET TUBE.	RA				
9	ZHENHUI	HG-009-311/312	4-40UNC,W4.75*5.0*L11.3,SCREW+SPRING WSHER.	10				
8	WIESON	GSC-040N32N	SCREW #4-40,NICKEL PLATED, MOLDING COLOR: BLACK(BC01).	2				
7	SIGNALORIGIN	XHY-01-0041-10	TERMINAL MALE, PIN GOLD PLATED ,WITH 14-16AWG(ELBATECH CONSIGN).	5	WIESON TECHNOLOGIES CO., LTD	TITLE: D-SUB POWER 2W2C M TO 2W2C F*5 CABLE	CUST P/N.: 0472095A/C	
6	SIGNALORIGIN	XHY-01-0042-10	TERMINAL FEMALE, PIN GOLD PLATED ,WITH 14-16AWG(ELBATECH CONSIGN).	5			PART NO.: G9836JB277-104	
5	SIGNALORIGIN	XHY-05-0240	D-SUB 2P FEMALE 2V2F, BLACK PBT INSULATOR, TIN PLATED SHELL(ELBATECH CONSIGN)	5				
4	SIGNALORIGIN	XHY-01-0042-20	TERMINAL FEMALE, PIN GOLD PLATED, WITH 10-12AWG(ELBATECH CONSIGN)	1				
3	SIGNALORIGIN	XHY-01-0041-20	TERMINAL MALE, PIN GOLD PLATED ,WITH 10-12AWG(ELBATECH CONSIGN).	1				
2	SIGNALORIGIN	XHY-05-0239	D-SUB 2P MALE 2V2P, BLACK PBT INSULATOR, TIN PLATED SHELL(ELBATECH CONSIGN)	1				
1	COPARTNER	6C20FAB2587	UL2587 20AWG*6C+FILLER+AL/MY+BRAID,OD:8.0mm PVC JACKET, BLACK 90℃, 600V.	2				

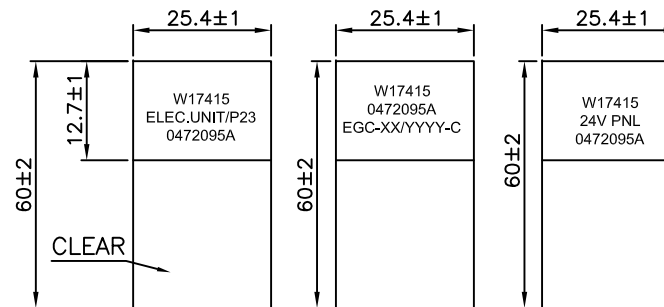
RoHS Compliant

A3	19.04.22	CHANGE CABLE		JULY	REV	DATE	DESCRIPTION	ECN NO.	NAME
A4	19.05.07	CHANGE SPEC		JULY	A	19.03.22	PROPOSAL		JULY
B	19.06.11	NEW RELEASE		JULY	A1	19.04.08	CHANGE SPEC		JULY
					A2	19.04.15	CHANGE CABLE		JULY

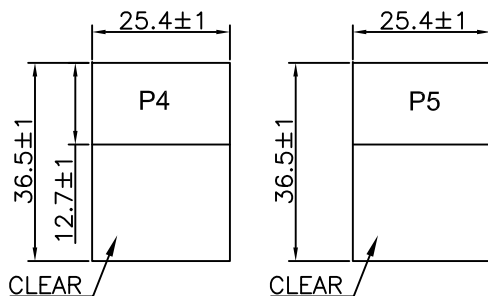
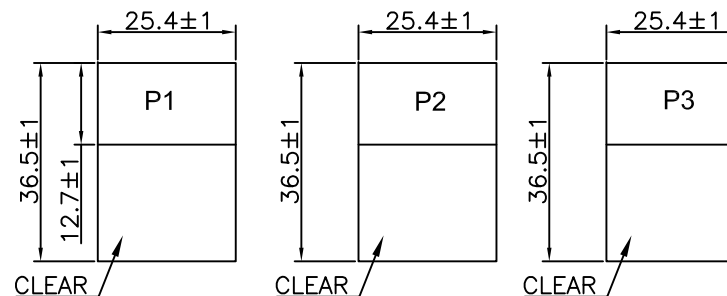
PIN ASSIGNMENT



- OTHERS WIRE MUST CUT;
- P1,P2,P3,P4,P5 SHLD WITH TOTAL SHLDING WELDING.



EL:Elbatech
WW/YYYY:(PRODUCE:WEEK/YEAR)



CUST P/N.:
0472095A/C

WIESON TECHNOLOGIES CO., LTD
PART NO.:
G9836JB277-104

TITLE: D-SUB POWER 2W2C M TO 2W2C F*5 CABLE

DRAWN BY	JULY	DRAWING NO.	G9836JB277-104
CHECKED BY	TON	DRAWING SIZE	A4
APPROVED BY	TOLIN	UNIT	mm
NO.	MFG	PART NO.	DESCRIPTION
QTY	SORTING NO.	WSC	PAGE