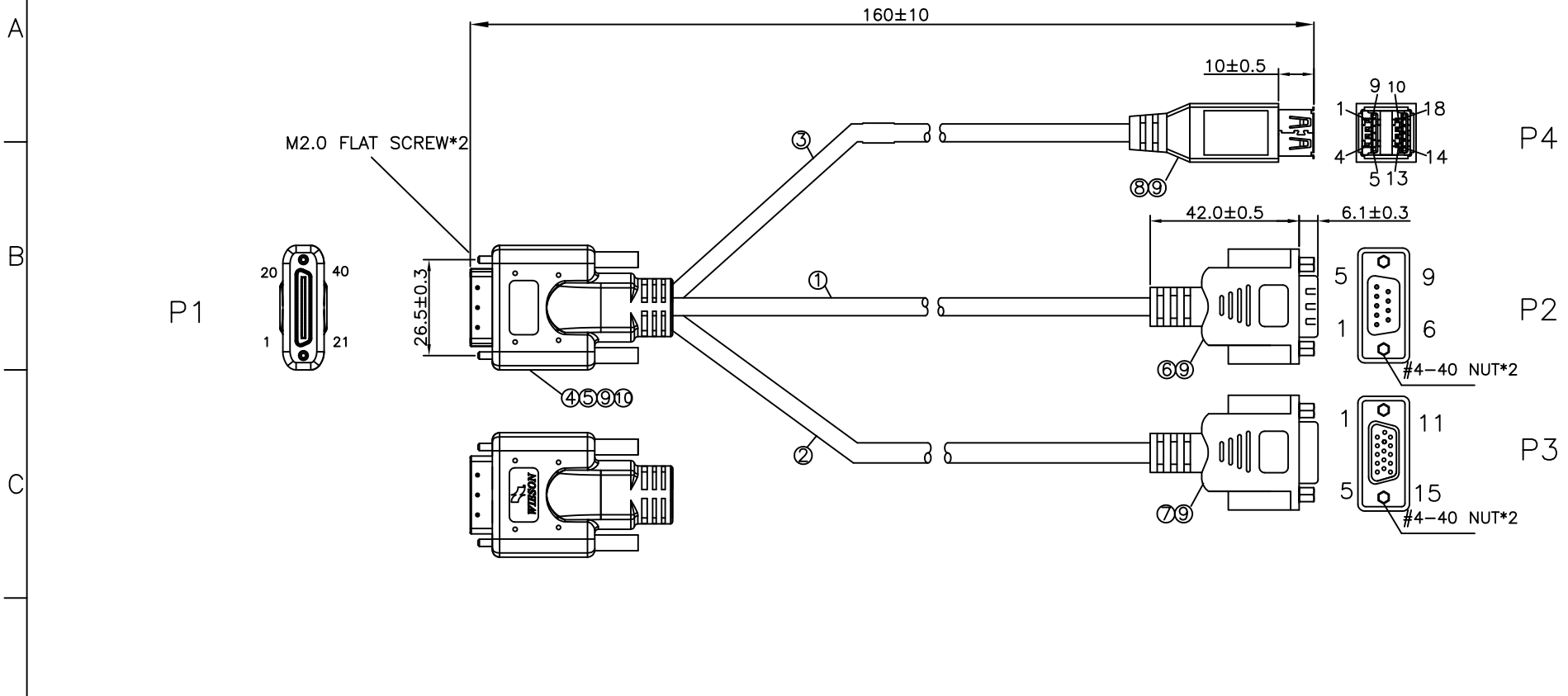


RoHS Compliant

| REV | DATE | DESCRIPTION | ECN NO. | NAME |
|-----|----------|-------------|---------|-------|
| A | 22.05.06 | PROPOSAL | | Jason |



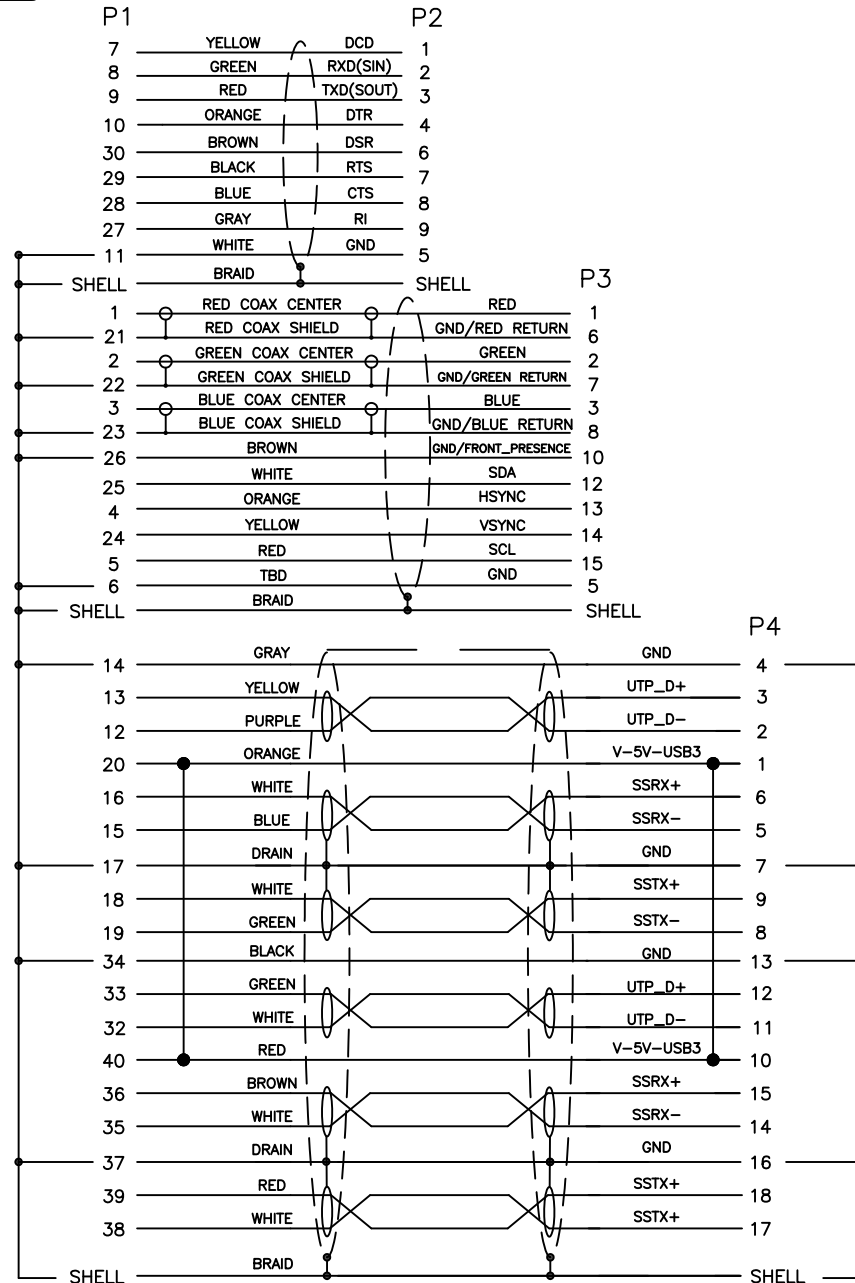
| | | | |
|-----|---------------|---|-----|
| ⑩ | SCREW | SCREW M2,L=31.8mm,NI PLATED. | 1 |
| ⑨ | MOLDING | PVC 45P COLOR:BLACK(BC01) | AR |
| ⑧ | USB 3.0 A/F*2 | USB 3.0 A FEMALE DOUBLE, CONTACT:GOLD FLASH, INSULATION COLOR:BLUE, SHELL:NI PLATED | 1 |
| ⑦ | HDB 15P/F | HDB 15P FEMALE.SOLDER TYPE.CONTACT:GOLD FLASH.INSULATION:BLACK.SHELL:NI PLATED,WITH #4-40 UNC | 1 |
| ⑥ | D-SUB 9P/M | DB 9P MALE.SOLDER TYPE.CONTACT:GOLD FLASH.INSULATION:BLACK.SHELL:NI PLATED,WITH #4-40 UNC | 1 |
| ⑤ | PCBA | PCBA | 1 |
| ④ | VHDCI 40P/M | VHDCI 40P MALE,BLACK INSULATOR, CONTACT:GOLD 15U" PLATED, SHELL:NICKEL PLATED. | 1 |
| ③ | WIRE | UL2725(30AWG*1P+EAM)*4+30AWG*2P+28AWG*4C+AL/MYLAR+DRAIN | 1 |
| | | +BRAID(85%),PVC JACKET,COLOR:BLACK,OD=6.0mm | |
| ② | WIRE | UL 2919 (30AWG*1C+SAM)*3+28AWG*6C+AL/MYLAR+BRAID(85%),PVC JACKET,COLOR:BLACK | 1 |
| | | OD=5.5mm | |
| ① | WIRE | UL 2464 28AWG*9C+AL/MYLAR+BRAID(85%),PVC JACKET,COLOR:BLACK,OD=4.3mm | 1 |
| NO. | ITEM | DESCRIPTION | QTY |

| | | | |
|--|-------|-----------------------|----------|
| WIESON TECHNOLOGIES CO., LTD | | CUST P/N.: | |
| WIESON | | PART NO.: G9842xxx | |
| TITLE: CBL, ASSY, SIGL, 160MM, KVMS ADAPTER | | | |
| DRAWN BY | Jason | DRAWING NO. | G9842xxx |
| CHECKED BY | HYP0 | DRAWING SIZE | A4 |
| APPROVED BY | JIM | UNIT | mm |
| SORTING NO. | WSC | PAGE | 1 OF 2 |

RoHS Compliant

| REV | DATE | DESCRIPTION | ECN NO. | NAME |
|-----|----------|-------------|---------|-------|
| A | 22.05.06 | PROPOSAL | | Jason |

PIN ASSIGNMENT



NOTES:

- 1.P1 MOLDING NUMBER:MLCW-OT-2266&MLCW-OT-2267;
MLCW-OT-2268.
- 2.P2&P3 MOLDING NUMBER:MLCW-DB-0088&MLCW-DB-0089.
- 3.P4 MOLDING NUMBER:MLCW-UB-2251&MLCW-UB-2252.
- 4.PIN ASSIGNMENT, P1 CONN. 14PIN, 20PIN, 34PIN, 40PIN &P4 CONN. 4PIN, 1PIN, 13PIN, 10PIN CURRENT RATING 1A.

CUST P/N.:

| | | | |
|--------------------------------------|-----------|--------------|----------|
| <p>WIESON TECHNOLOGIES CO., LTD</p> | PART NO.: | | |
| | G9842xxx | | |
| TITLE: | | | |
| CBL, ASSY, SIGL, 160MM, KVMS ADAPTER | | | |
| DRAWN BY | jason | DRAWING NO. | G9842xxx |
| CHECKED BY | HYP0 | DRAWING SIZE | A4 |
| APPROVED BY | JIM | UNIT | mm |
| SORTING NO. | WSC | PAGE | 2 OF 2 |

| NO. | ITEM | DESCRIPTION | QTY |
|-----|------|-------------|-----|
|-----|------|-------------|-----|