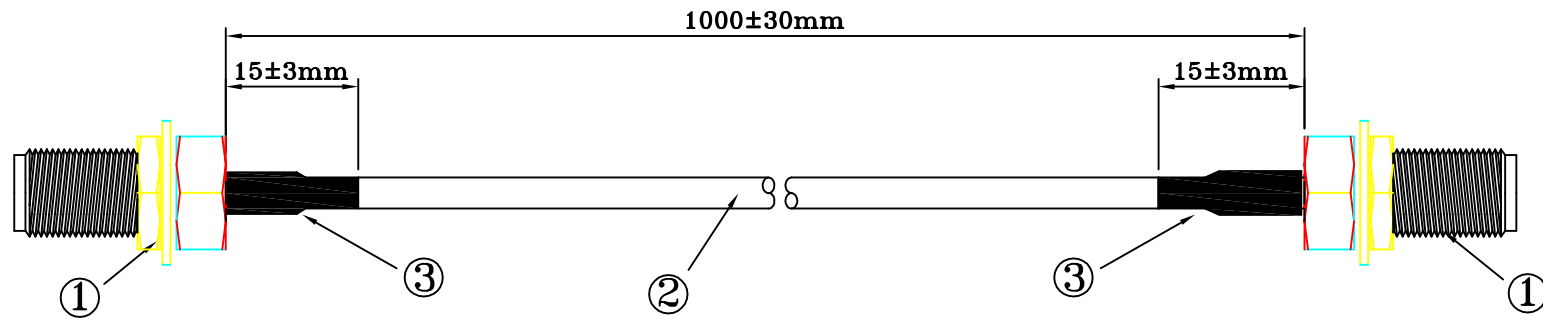


REV	DATE	DESCRIPTION	NAME
01	03.08.12	NEW RELEASE	



7.									
6.									
5.									
4.									
3.	HS-BB030	SIZE: OD:3.0mm , L=15mm , COLOR:BLACK	2	DRAWN BY	WEN(WST)	DRAWING NO.	WSTS021170		
2.	CABLE	RG-174/U-XLPE , BLACK PVC JACKET , OD=2.7mm.	1	CHECKED BY		DRAWING SIZE	A3		
1.	CONNECTOR	SAM FEMALE BULKHEAD , GOLD PLATED	2	APPROVED BY		UNIT	mm		
NO.	ITEM	DESCRIPTION	QTY	SORTING NO.	WST	PAGE	1 OF 1		