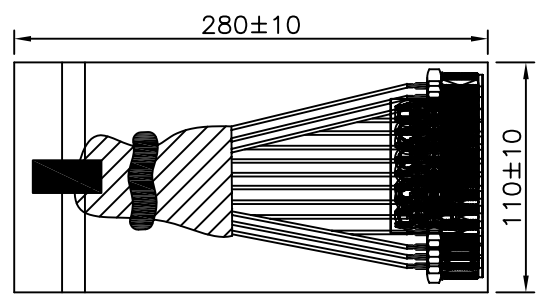
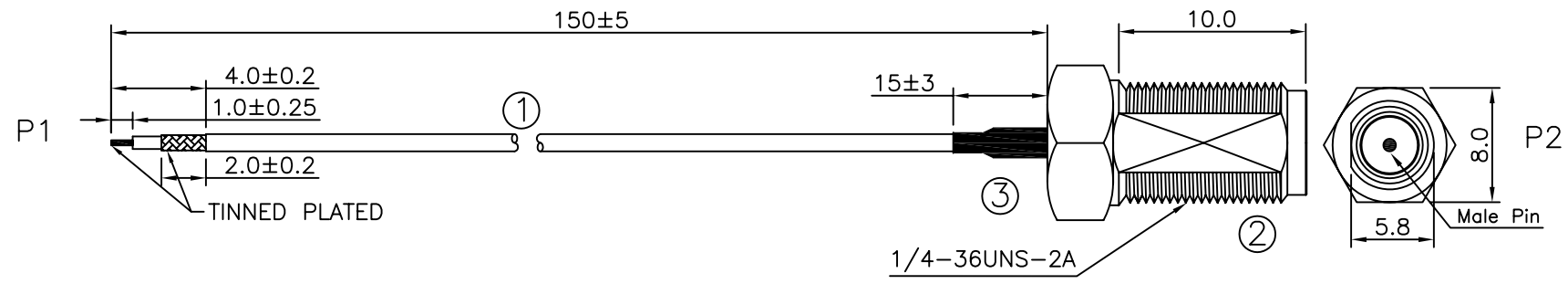
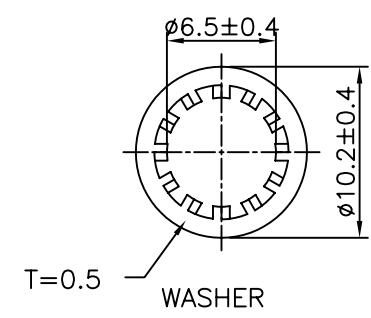


RoHS Compliant

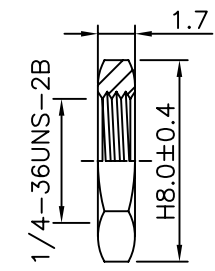
REV	DATE	DESCRIPTION	ECN NO.	NAME
A	08.03.20	NEW RELEASE		



25PCS OF A BAG



WASHER



NUT

NOTES:

1. CABLE & CONNECTOR IMPEDANCE:50±5 OHM.
2. WASHER & NUT FOR SMA CONN ATTACHMENT .
3. VSWR: 1.5 MAX(0~3GHz).
4. USE ENVIRONMENT PROTECT MATERIAL(ROHS Compliant).

PIN ASSIGNMENT

P1	/	/
P2	CENTER	SHELL
CABLE	COAXIAL	BRAID

⑦								
⑥								
⑤								
④								
③	GHS-BD025	HEAT SHRINKABLE TUBE Ø2.5mm BLACK L:15mm	1	DRAWN BY	River(WSC)	DRAWING NO.	G9851HT467-002R	
②	G7109-62110001	SMA FEMALE REVERSE POLARITY,GOLD PLATED	1	CHECKED BY	OWEN	DRAWING SIZE	A3	
①	GMINI-178G01D1X	MINI RG-178 COAXIAL CABLE 32AWG(7/0.08)*1C+BRAID+GRAY JACKET,OD:1.13mm	1	APPROVED BY	DRAGON YANG	UNIT	mm	
NO.	ITEM	DESCRIPTION	QTY	SORTING NO.	WSC	PAGE	1 OF 1	

WIESON TECHNOLOGIES CO., LTD  
 WIESON  
 PART NO.: G9851HT467-002R  
 TITLE:  
 SMA Female(Reverse Polarity) To Open