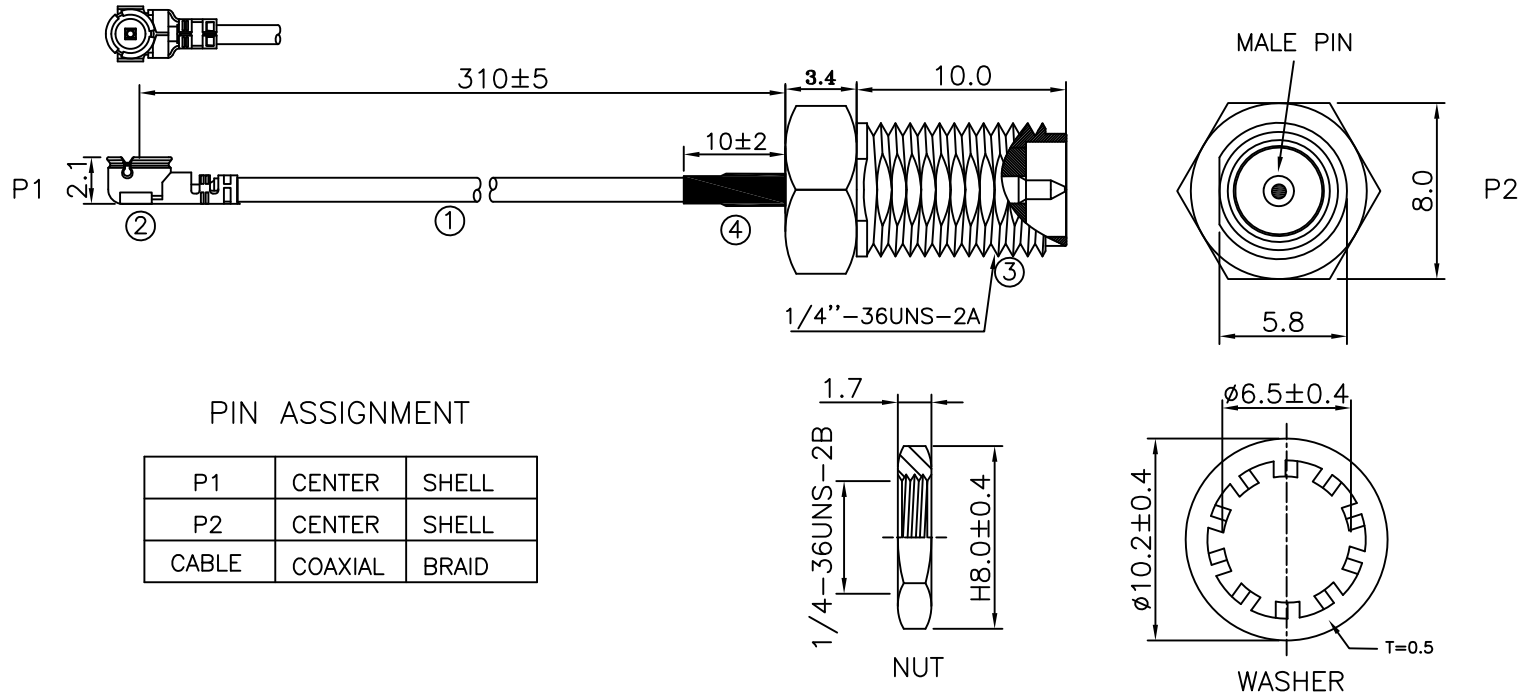


RoHS Compliant

REV	DATE	DESCRIPTION	ECN NO.	NAME
A	12.11.1	PROPOSAL		JOSN



NOTES:

- USE ENVIRONMENTAL PROTECT MATERIAL(RoHS Compliant)

⑦				WIESON TECHNOLOGIES CO., LTD TITLE: SMA JACK(REVERSE POLARIY) TO MHF PLUG	PART NO.:		
⑥					G9851HT467-C047		
⑤							
④	GHS-BB025I	HEAT SHRINKABLE TUBE ϕ 2.5mm BLACK L:10mm	1	DRAWN BY	JOSN(wsc)	DRAWING NO.	G9851HT467-C047
③	G7109-62150001	RP-SMA FEMALE,BRASS,GOLD PLATED,INSULATION TEFLON,WHITE	1	CHECKED BY	JERRY	DRAWING SIZE	A4
②	G7169-004101-H	MHF CONNECTOR FOR 1.13mm,GOLD PLATED,BLACK PLASTIC	1	APPROVED BY	ROX	UNIT	mm
①	GMINI-178B01D113TS	OD:1.13mm COAXIAL CABLE FEP BLACK JACKET	1	SORTING NO.	WSC	PAGE	1 OF 1
NO.	ITEM	DESCRIPTION	QTY				