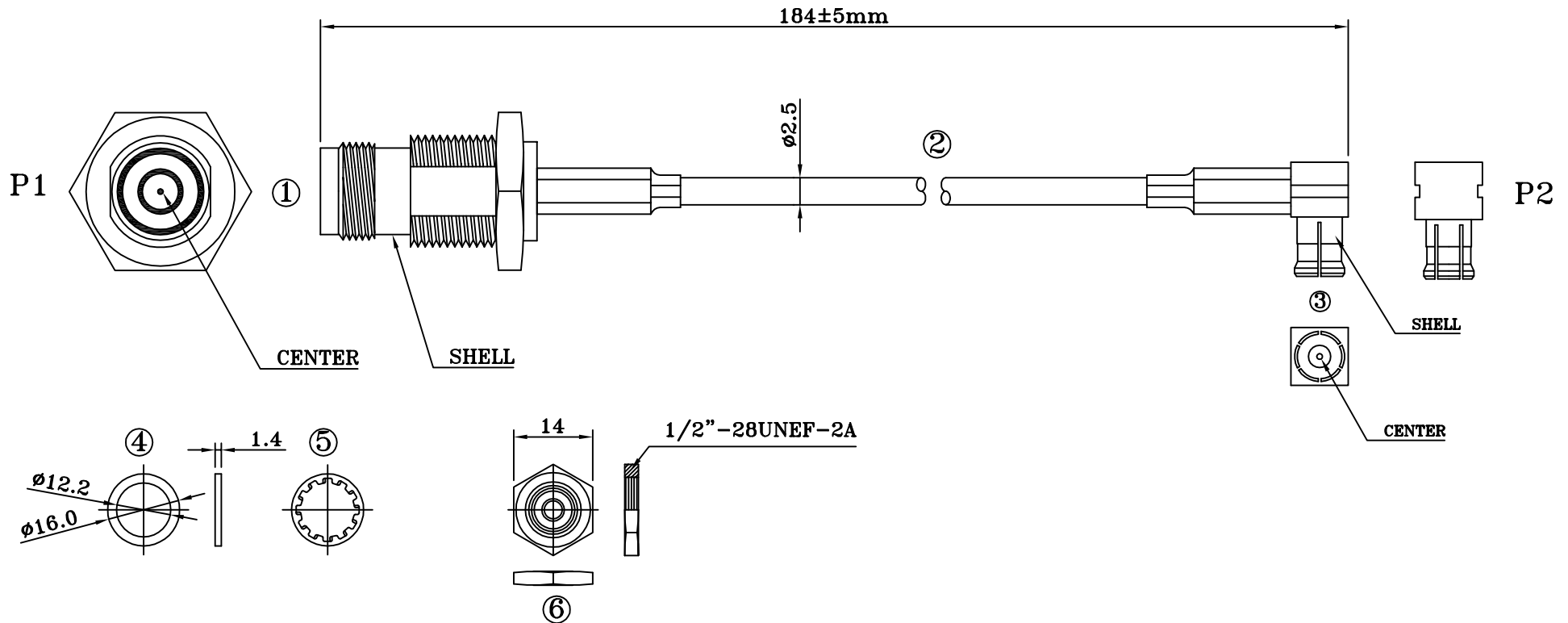


REV	DATE	DESCRIPTION	NAME
01	02.12.17	NEW RELEASE	




Notes:

Parts 4 , 5 , 6 For TNC Connector Attachment.

TNC Connector Weight Load Must 6kg MIN.

MCX R/A Connector Weight Load Must 3kg MIN.

7.				 WIESON TECHNOLOGIES CO., LTD		PART NO.:		9851HT0217-003			
6.	NUT	BRASS NICKEL PLATED	1			TITLE: TNC Female - MCX Male R/A Cable				DRAWING NO.	
5.	WASHER	BRASS NICKEL PLATED	1	DRAWN BY				WEN(WST)		DRAWING SIZE	
4.	GASKET	RUBBER , COLOR: BLACK	1	CHECKED BY				UNIT		mm	
3.	CONNECTOR	MCX MALE R/A CRIMP TYPE , PIN & SHELL GOLD PLATED.	1	APPROVED BY				PAGE		OF	
2.	CABLE	Harbour RG316 COAXIAL CABLE , FEP - BROWN TINT JACKET OD= 2.5mm.	1	SORTING NO.		WST					
1.	CONNECTOR	R-TNC FEMALE BULKHEAD CRIMP TYPE , NICKEL PLATED	1								
NO.	ITEM	DESCRIPTION	QTY								