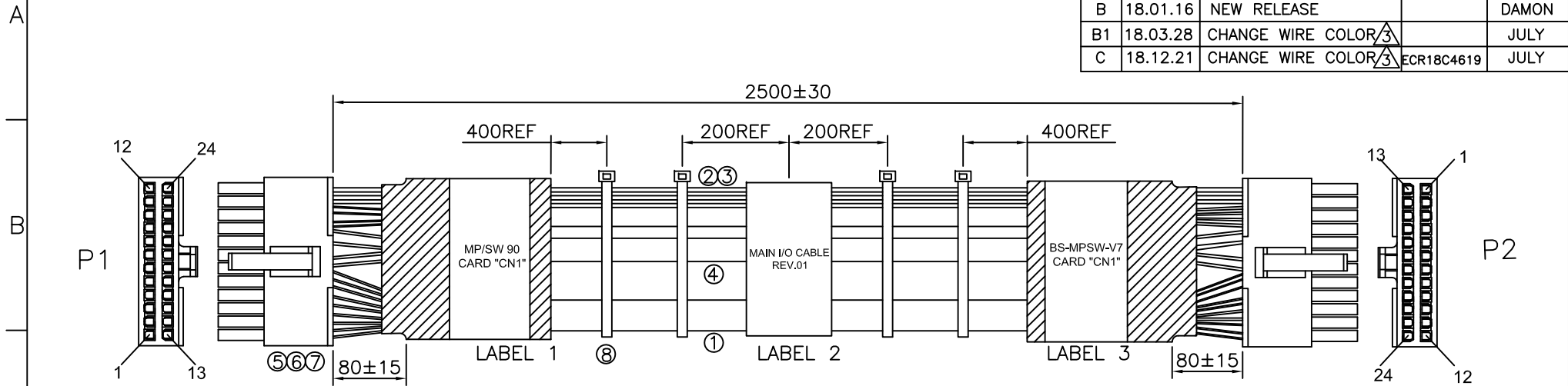


RoHS Compliant

REV	DATE	DESCRIPTION	ECN NO.	NAME
A1	17.11.22	PROPOSAL		DAMON
A2	17.12.22	CHANGE CABLE ¹		DAMON
A3	17.12.27	ADD TIE ²		DAMON
B	18.01.16	NEW RELEASE		DAMON
B1	18.03.28	CHANGE WIRE COLOR ³		JULY
C	18.12.21	CHANGE WIRE COLOR ³	ECR18C4619	JULY



NOTES:

- 100% OPEN AND SHORT TESTING.
- Release the spec. base on the proposal drawing Revision-A3 as customer approval.

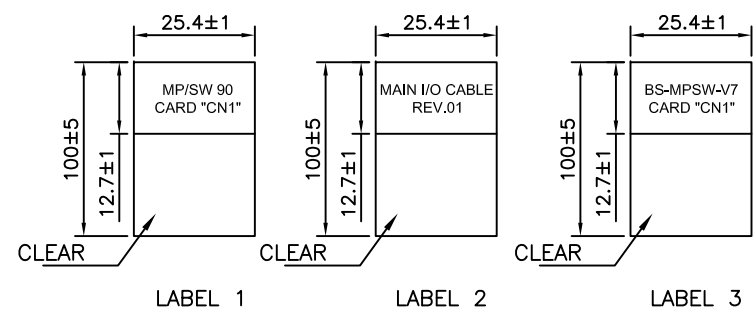
⑧	WIESON		TIE,W:2.5mm.	4
⑦	WIESON	G2423-010014	PITCH 4.2mm TERMINAL,BRASS TINNED PLATED,P/N:KJ-4257MT.	12
⑥	WIESON	G2423-010004	PITCH 4.2mm TERMINAL,BRASS TINNED PLATED,P/N:KY-4201TBS-10.	36
⑤	WIESON	G2422-012424	PITCH 4.2mm HOUSING 2*12P,P/N:KY-4201HD-12*2.	2
④	WIESON	QS-1708162	(22AWG*1P+AL)*2C+PVC JACKET,GRAY OD:5.0mm. ¹	2
③	WIESON	GR1015-16AEYZ	UL1015 16AWG HOOK UP WIRE.COLOR:GREEN/YELLOW. ¹ ³	1
②	WIESON		UL1569 18AWG HOOK UP WIRE.	AR
①	WIESON	QS-1708163	UL2464 22AWG*10C+EA+PVC JACKET GRAY OD:7.1mm.	1
NO.	MFG	PART NO.	DESCRIPTION	QTY


CUST P/N.: 910080910			
PART NO.: GJB277RA-184			
TITLE: 2*12P HSG TO 2*12P HSG			
DRAWN BY	DAMON	DRAWING NO.	GJB277RA-184
CHECKED BY	TON	DRAWING SIZE	NONE A4
APPROVED BY	TOLIN	UNIT	mm
SORTING NO.	WSC	PAGE	1 OF 2

RoHS Compliant

REV	DATE	DESCRIPTION	ECN NO.	NAME
A1	17.11.22	PROPOSAL		DAMON
A2	17.12.22	CHANGE CABLE ¹		DAMON
A3	17.12.27	ADD TIE ²		DAMON
B	18.01.16	NEW RELEASE		DAMON
B1	18.03.28	CHANGE WIRE COLOR ³		JULY
C	18.12.21	CHANGE WIRE COLOR ³	ECR18C4619	JULY

PIN ASSIGNMENT	
P1	P2
1	BLACK(18AWG)
2	GREEN(18AWG)
3	RED(18AWG)
4	BLACK
5	RED
6	GREEN
7	WHITE
8	GREEN/YELLOW(16AWG)
9	BLACK
10	RED
11	GREEN
12	WHITE
13	BLACK(18AWG)
14	GREEN(18AWG)
15	GRAY
16	BLUE
17	VIOLET
18	GREEN
19	YELLOW
20	WHITE
21	ORANGE
22	RED
23	BLACK
24	BROWN



CUST P/N.: 910080910			
PART NO.: GJB277RA-184			
 WIESON TECHNOLOGIES CO., LTD TITLE: 2*12P HSG TO 2*12P HSG			
DRAWN BY	DAMON	DRAWING NO.	GJB277RA-184
CHECKED BY	TON	DRAWING SIZE	NONE A4
APPROVED BY	TOLIN	UNIT	mm
SORTING NO.	WSC	PAGE	2 OF 2

NO.	MFG	PART NO.	DESCRIPTION	QTY
-----	-----	----------	-------------	-----