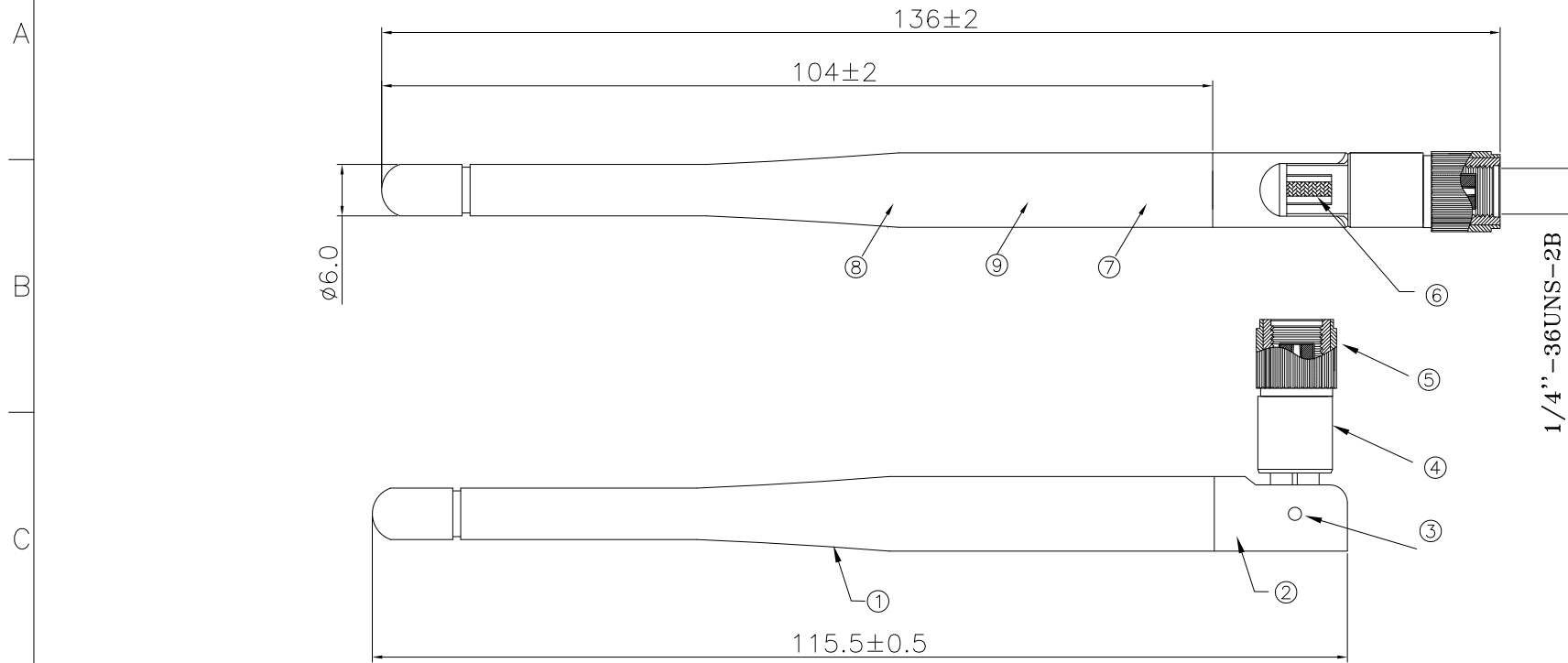


RoHS Compliant

REV	DATE	DESCRIPTION	ECN NO.	NAME
A	13.11.13	PROPOSAL		James



NOTES:

- 2.4~2.4835GHz/5.15~5.85GHz VSWR:< 2.0
- GAIN:2dBi
- USE ENVIRONMENT PROTECT MATERIAL(ROHS Compliant).

⑨	GHS-BD0501	HEAT SHRINKABLE TUBE,OD:5.0mm,L:20mm,BLACK	1
⑧	G0140-1237012	COPPER TUBE,TINNED PLATED	1
⑦	G0140-1238012	COPPER TUBE,TINNED PLATED	1
⑥	GMINI-178B01D113TS	MINI COAXIAL CABLE,32AWG*1C+BRAID+FEP,BLACK JACKET,OD:1.13mm	1
⑤	G7109-21050200	SMA MALE,BLACK POM	1
④	GM Y111-B030100C	BASE-2,PBT:BLACK	1
③	G0102-7801013	FIXED PIN,POM:BLACK	2
②	GM Y111-B020104C	BASE-1,PC:BLACK	1
①	GM Y111-B010104C	COVER,TPEE;BLACK	1
NO.	ITEM	DESCRIPTION	QTY

WIESON TECHNOLOGIES CO., LTD WIESON		PART NO.: GY121HT0321-001	
TITLE: SMA DUAL BAND ANTENNA			
DRAWN BY	James(wsc)	DRAWING NO.	GY121HT0321-001
CHECKED BY	ROX LIN	DRAWING SIZE	A4
APPROVED BY	KENT	UNIT	mm
SORTING NO.	WSC	PAGE	1 OF 1